

# M101EK

## 10.1" Windows Rugged Tablet PC with Intel® Celeron® N6211



### KEY FEATURES

- Intel® Elkhart Lake Celeron® N6211 Processor
- 10.1" 1920 x 1200 IPS LED Panel with direct optical bonding
- IP65 water and dust proof with MIL-STD-810H rugged housing
- Low power consumption with fanless design
- Removable battery with hot-swap function for all day productivity
- Sunlight readable with antiglare solution
- USB Type-C port supports power delivery 20V In
- Integrated 4G/5G Wireless WWAN (Optional)

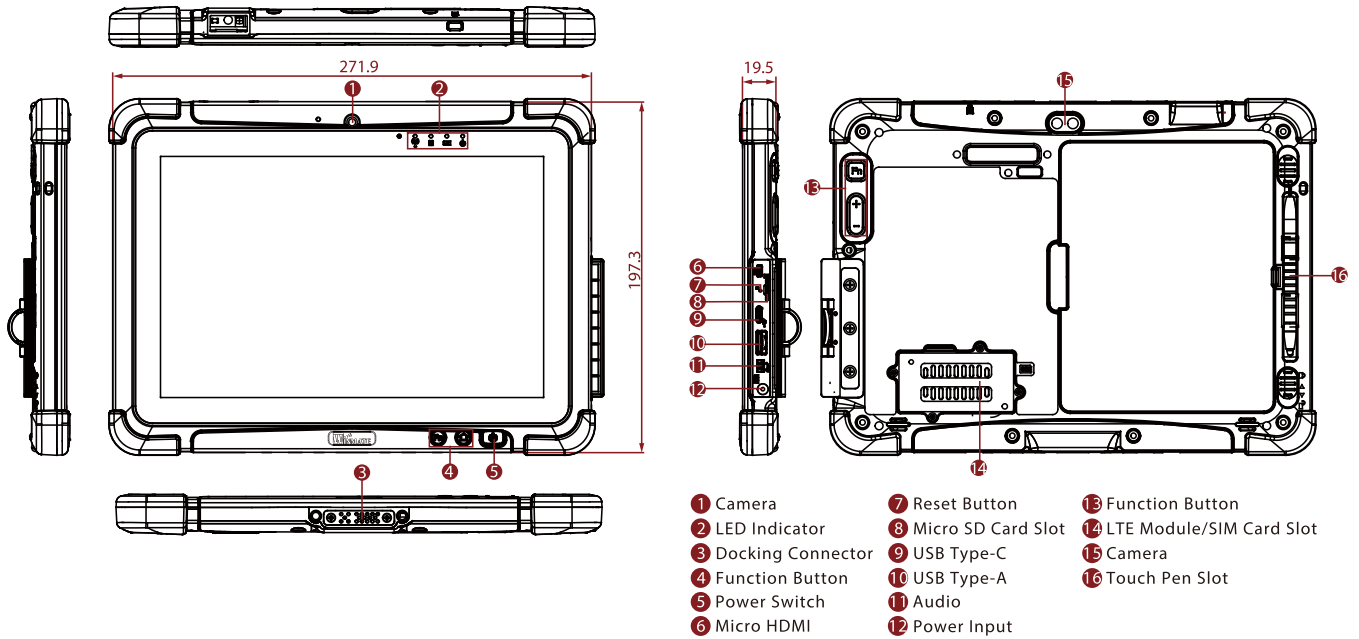


### SPECIFICATIONS

| Display                 |   |                          |  |
|-------------------------|---|--------------------------|--|
| <b>Resolution</b>       | 1920x1200   | <b>Size</b>              | 10.1 inches  |
| <b>Contrast Ratio</b>   | 800:1   | <b>Panel Brightness</b>  | 800.0 nits   |
| <b>View Angles</b>      | 85,85,85,85   | <b>Type</b>              | Projected Capacitive Multi Touch   |
| <b>Viewability</b>      | Anti-Glare touch treatment  | <b>Bonding</b>           | Optical Bonding for Sunlight Viewability   |
| System Specification    |   |                          |  |
| <b>Processor</b>        | Intel Celeron N6211 @1.20 GHz (up to 3.00 GHz)<br>Intel Pentium N6415 @1.20 GHz (up to 3.00 GHz)<br>(Optional)      | <b>Memory</b>            | 4GB LPDDR4<br>8GB LPDDR4 (Optional)  |
| <b>Storage</b>          | 128GB SSD<br>Additional storage available with micro SDXC card slot<br>256GB SSD (Optional)<br>512GB SSD (Optional) | <b>Security</b>          | Trusted Platform Module (TPM) 2.0<br>Kensington Lock   |
| <b>Operating System</b> | Windows 10 IoT Enterprise LTSC (64 bit)<br>Windows 11 IoT Enterprise SAC (64-bit)<br>(Optional)                     | <b>WLAN</b>              | Support  |
| <b>BT</b>               | Support   | <b>WWAN</b>              | 4G (Optional)<br>5G (Optional)   |
| <b>GNSS</b>             | GPS, GLONASS, Galileo, BeiDou   | <b>RFID</b>              | HF RFID 13.56 MHz reader (Optional)<br>add-on UHF RFID Reader (Optional)                         |
| <b>Sensors</b>          | Light sensor/ G-sensor / Gyro   | <b>Smart Card Reader</b> | Add-on Smart Card Reader (Optional)  |
| Camera                  |   |                          |  |
| <b>Front Camera</b>     | 2MP Front Camera  | <b>Rear Camera</b>       | 8MP Rear Camera with auto-focus and LED light  |
| Mechanical              |   |                          |  |
| <b>Dimension</b>        | 271.9 x 197.3 x 19.5 mm   | <b>Weight</b>            | 1.2 kg (2.65 lbs) with standard battery,<br>1.4 kg (3.1 lbs) with optional high capacity battery |
| <b>Cooling System</b>   | Fanless design  |                          |  |
| IO Ports                |   |                          |  |
| <b>USB Port</b>         | 1 x USB 3.0 (Type A), 1 x USB 3.0 (Type-C)<br>support Power Delivery 20V In)  | <b>SD Card Slot</b>      | 1 x Micro SD Card slot (Support SDXC)  |
| <b>SIM Card Slot</b>    | 1 x SIM card slot   | <b>Video</b>             | 1 x Micro HDMI Output (Optional)   |
| <b>Audio</b>            | 1 x Audio combo 3.5mm audio combo jack (Mic in<br>or Line Out)<br>Dual Digital Mic With Noise Cancellation          | <b>Expansion Port</b>    | 1 x Expansion connector (Optional)   |

|                            |   |                               |  |
|----------------------------|---|-------------------------------|--|
| <b>Indicator</b>           | Dual Speaker<br>4x LED Indicator for Power, Battery, HDD, RF status   | <b>Docking Connector</b>      | 1 x 19-pin docking connector   |
| <b>Environment</b>         |   |                               |  |
| <b>Operating Humidity</b>  | 10% to 90% RH, non-condensing   | <b>Operating Temperature</b>  | -20°C to 60°C  |
| <b>Storage Temperature</b> | -30°C to 70°C (-22°F to 158°F)  | <b>Shock</b>                  | MIL-STD-810G Method 516.6 Procedure I  |
| <b>Vibration</b>           | MIL-STD-810G Method 514.6 Procedure I   | <b>IP rating</b>              | IP65   |
| <b>Drop</b>                | MIL-STD-810G Method 516.6, 4 ft   |                               |  |
| <b>Certification</b>       |   |                               |  |
| <b>Certification</b>       | CE, FCC, UL, PTCRB, Verizon   |                               |  |
| <b>Control</b>             |   |                               |  |
| <b>Button</b>              | 1 x Power, 1 x Home, 2 x Volume, 2 x Programmable Function Keys   |                               |  |
| <b>Security Function</b>   |   |                               |  |
| <b>SOTI MobiControl</b>    | SOTI MobiControl Compliance   | <b>Kensington Lock</b>        | Kensington Lock Support  |
| <b>Accessory</b>           |   |                               |  |
| <b>Accessory</b>           | Adapter and Power Cord<br>Capacitive Stylus<br>Standard Battery   | <b>Optional Accessory</b>     | Desk Dock (Optional)<br>Vehicle Dock (without VGA output) (Optional)<br>Vehicle Cradle (Optional)<br>Battery Charger (Optional)<br>Smart Card Reader (Optional)<br>High Capacity Battery (Optional)<br>Hand Strap (Optional)<br>VESA Mount Kit (Optional)<br>Shoulder Strap (Optional)<br>Carry Bag (Optional)<br>Vehicle Charger (Optional) |
| <b>Barcode Scanner</b>     |   |                               |  |
| <b>Barcode Scanner</b>     | 1D/2D barcode reader (Optional)   |                               |  |
| <b>Power</b>               |   |                               |  |
| <b>Battery</b>             | Hot-swappable 7.7V, typ. 5900 mAh Li-Polymer Battery (2S1P)<br>7.4V, typ. 10280 mAh Li-Polymer Battery (2S2P, optional) | <b>Battery Operating Time</b> | Standard. Battery: 9 hours<br>High Capacity Battery: 16 hours  |
| <b>Power Rating</b>        | 19V DC  | <b>Adapter</b>                | 100-240V, 50-60Hz / 19V DC   |

## DIMENSIONS UNIT:MM



## NOTE

1. Total usable memory will be less dependent upon actual system configuration.
2. The USB Type-C connector follows USB 3.0 standard, which does not support Alternate Mode (ALT).
3. Add-on modules require the expansion port option to be usable.
4. TPM 2.0 available upon request.
5. SOTI is available upon request.
6. Measured at dimming LCD brightness. Varies depending on the usage conditions, or when an external device is attached.
7. Length and weight measurements do not include protrusions.
8. The drop test with a high-capacity battery must come with a hand strap.
9. Accessories and Integrated Options may vary depending on your configuration.
10. This is a simplified drawing and some components are not marked in detail.
11. The product shown in this datasheet is a standard model. For diagrams that contain customized or optional I/O, please contact the Winmate Sales Team for more information.