

# W10IE3S-PCH2AC-POE

## 10.1" Intel® Celeron® N6211 S Series HMI Panel PC



### KEY FEATURES

- 10.1" 1280 x 800 350nits Panel with PCAP multi-touch screen
- Intel® Celeron® Elkhart Lake N6211 Processor
- Fanless cooling system and ultra-low power consumption
- Dual 2.5 Gigabit Ethernet
- RGB LED Light Bars on 2 sides
- Front IP65 water and dust proof
- Optional 2 MP Front Camera
- Optional HF RFID Reader
- Support PoE function
- Stylish design for room booking, access control and room information applications

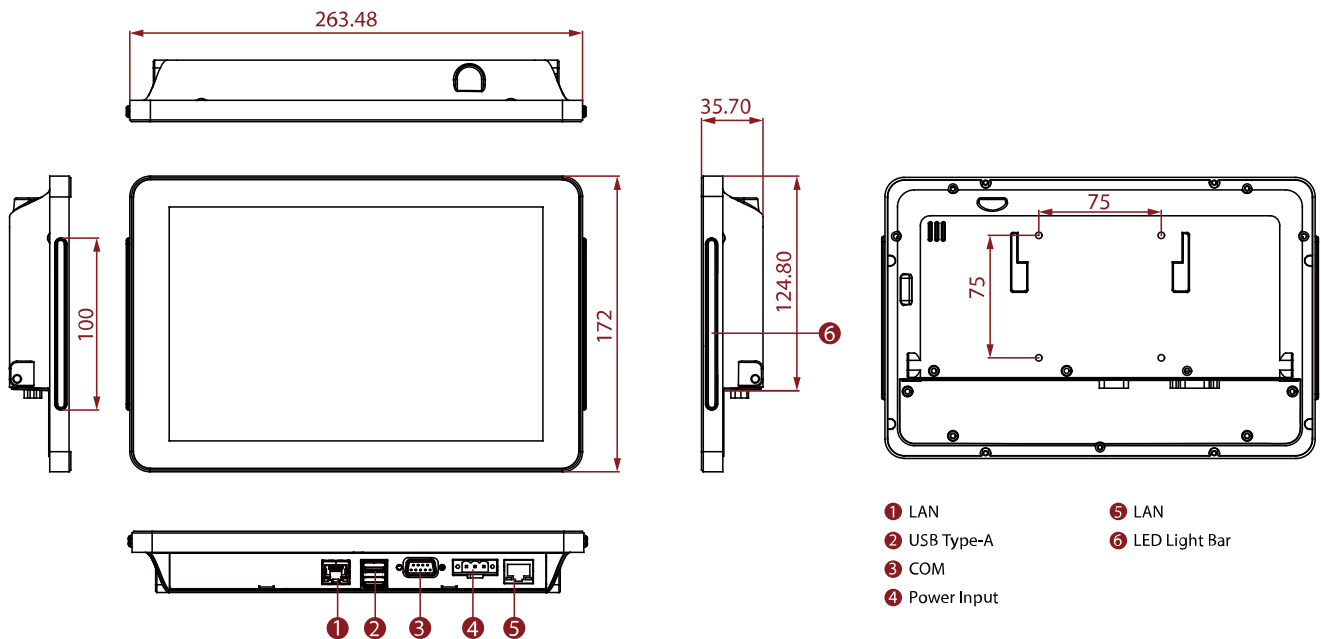


### SPECIFICATIONS

Display			
<b>Resolution</b>	1280x800	<b>Size</b>	10.1 inches
<b>Contrast Ratio</b>	800:1	<b>Panel Brightness</b>	350.0 nits
<b>View Angles</b>	85,85,85,85	<b>Active Area</b>	216.96x135.6 mm
<b>Touch / Glass</b>	Projected Capacitive Multi Touch Screen		
System Specification			
<b>WLAN</b>	Support (Optional)	<b>BT</b>	Support (Optional)
<b>RFID</b>	HF RFID Reader 13.56 MHz (Optional)	<b>Light Bar</b>	Built-in RGB LED Status Light Bar, on both sides
<b>Processor</b>	Intel® Celeron® N6211 ( up to 3.0GHz) Intel® Celeron® N6210 (up to 2.6GHz) (Optional)	<b>Memory</b>	1 x SO-DIMM, DDR4 3200 MHz, 4GB 8GB (Optional) 16GB (Optional)
<b>Storage</b>	1 x M.2 2242 B-Key SSD 128GB 256GB (Optional) 512GB (Optional)	<b>Ethernet controller</b>	2 x Intel® Ethernet Controller
<b>Security</b>	TPM 2.0	<b>Operating System</b>	Windows 11 IoT Enterprise (64 bit) (Optional) Windows 11 Pro 64 bit (Optional) Windows 10 IoT Enterprise (64 bit) (Optional) Linux Ubuntu 22.04 (Optional)
Mechanical			
<b>Dimension</b>	264.57 x 173.29 x 35.7 mm	<b>Weight</b>	1.2 kg
<b>Mounting</b>	Wall mount VESA Mount	<b>Enclosure</b>	Metal Housing
<b>Cooling System</b>	Fanless design	<b>Cut out</b>	250x159mm
Environment			
<b>Operating Humidity</b>	10% to 90% RH, Non-Condensing	<b>Operating Temperature</b>	0°C to 50°C
<b>Storage Temperature</b>	-10°C to 60°C	<b>IP rating</b>	Front IP65
Certification			
<b>Certification</b>	CE, FCC		

IO Ports			
<b>Power Input</b>	1 x 12V DC, 3-Pin Terminal Block	<b>USB Port</b>	2 x USB3.2 Gen1x1 (Type-A)
<b>Serial Port</b>	1 x RS232/422/485 (Default RS232)	<b>Video</b>	1 x Micro HDMI (Optional)
<b>Audio</b>	1 x Speaker	<b>Expansion Port</b>	1 x M.2 2242 B-key Slot (for SATA III SSD) 1 x M.2 2230 E-Key Slot (for Wi-Fi module)
<b>LAN</b>	2 x Giga LAN RJ45 Connector, One with PoE(PD, 802.3at, 25W)(Optional)		
Accessory			
<b>Accessory</b>	100~240V AC to DC Adapter Power Cord Terminal Block to 2.5Ø Female Adapter Cable Open Wire Cable with terminal block connector VESA screws	<b>Optional Accessory</b>	VESA Wall Mount (Optional) VESA Desk Stand (Optional) Glass Wall Mount Kit (Optional) Front Side Wall Mount (Optional) VESA bracket mounting kit (Optional)
Power			
<b>Power Rating</b>	12V DC 10~60V (Optional)	<b>Adapter</b>	12V 50W
<b>POE</b>	PoE (PD): follows IEEE 802.3at (25 W)		

## DIMENSIONS UNIT:MM



## NOTE

1. Measured at dimming LCD brightness. Varies depending on the usage conditions, or when an external device is attached.
2. Total usable memory will be less dependent upon actual system configuration.
3. Length measurements do not include protrusions. Weight varies with options.
4. This is a simplified drawing and some components are not marked in detail.
5. The product shown in this datasheet is a standard model. For diagrams that contain customized or optional I/O, please contact the Winmate Sales Team for more information.
6. All specifications are subject to change without prior notice.