

W32IT3S-PTA3

32" Intel® Core™ i5-1135G7 Standalone Panel PC HMI



KEY FEATURES

- 32" 1920 x 1080 with PCAP touchscreen
- High computing performance with 11th Generation Intel® Core™ i5-1135G7 2.4GHz (Optional Core i5-1145G7 2.6GHz)
- Fanless cooling system and ultra-low power consumption
- Front IP65 for protection against water and dust
- A true flat, easy-to-clean front surface with edge-to-edge design
- Plenty of I/O, including 2 x LAN, 1 x COM, 2 x USB 3.0, 1 x HDMI

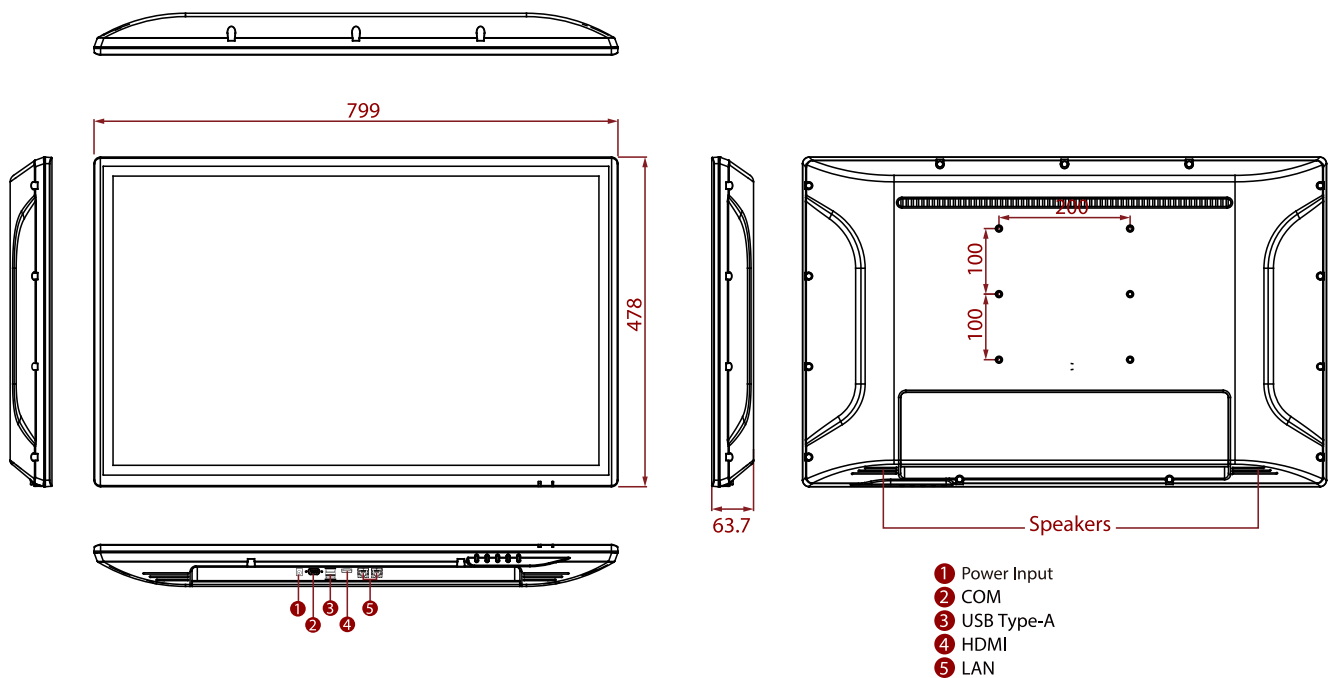


SPECIFICATIONS

Display			
Resolution	1920x1080	Size	32.0 inches
Contrast Ratio	4000:1	Panel Brightness	400.0 nits
View Angles	89,89,89,89	Active Area	698.4x392.85 mm
Touch / Glass	Projected Capacitive Multi Touch Screen		
System Specification			
WLAN	Support (Optional)	BT	Support (Optional)
Processor	Intel Core i5-1135G7 2.4GHz (up to 4.2GHz)	Memory	1 x SO-DIMM, DDR4 3200 MHz, 4GB 8GB (Optional) 16GB (Optional) 32GB (Optional)
Storage	1 x M.2 M-Key 2280 NVMe SSD, 128GB 256GB (Optional) 512GB (Optional) 1TB (Optional) 2TB (Optional) 4TB (Optional) 1 x SATA III , up to 2TB (Optional)	Ethernet controller	2 x Intel® Ethernet Controller
Security	TPM 2.0	Operating System	Windows 11 IoT Enterprise (64 bit) (Optional) Windows 11 Pro 64 bit (Optional) Windows 10 IoT Enterprise (64 bit) (Optional) Linux Ubuntu 22.04 (Optional)
Environment			
Operating Humidity	10% to 90% RH, Non-Condensing	Operating Temperature	0°C to 50°C
Storage Temperature	-10°C to 60°C	IP rating	Front IP65
Certification			
Certification	CE, FCC		
Mechanical			
Dimension	799 x 478 x 63.7 mm	Mounting	VESA Mount
Enclosure	Plastic	Cooling System	Fan Design
IO Ports			
USB Port	2 x USB 3.0	Serial Port	1 x RS232(Default)/422/485
Video	1 x HDMI (Optional)	Audio	2 x Speaker

LAN	2 x RJ45-10/100/1000 Mbps
Accessory	
Accessory	Quick Start Guide(Hardcopy) AC Adapter 12V/120W Power Cord
Power	
Power Rating	12V DC
Control	
Button	5 key: Power Up Down Left Right

DIMENSIONS UNIT:MM



NOTE

1. This is a simplified drawing and some components are not marked in detail.
2. Please contact our sales representative if you need further product information.
3. All specifications are subject to change without prior notice.
4. The product shown in this datasheet is a standard model. For diagrams that contain customized or optional I/O, please contact the Winmate Sales Team for more information.