



### High End Technology

The COCKPIT-215 touch panel is the flagship of the COCKPIT family. It offers the full HD display and a design that makes it an eye catcher in every home.

### Ideal for Building Automation

Different operating systems are available for the For the touch panel COCKPIT-215. Especially by using the Android operating system there is no limit to the flexibility of the system. Just install the appropriate Android app from Google Play and you have visualization of your building automation environment.

### Brilliant Audio Quality

The unique concept of speaker and microphone gives you an excellent audio quality, which is needed in installation as e.g. door communication or VoIP calls.

### Modern Design

The touch panel is equipped with a multitouch, which allows a frameless design. Thus, there is no gap or sealing which would make it difficult to clean or disinfect. The color of the glass front can be freely selected on high volume orders (RAL colors).

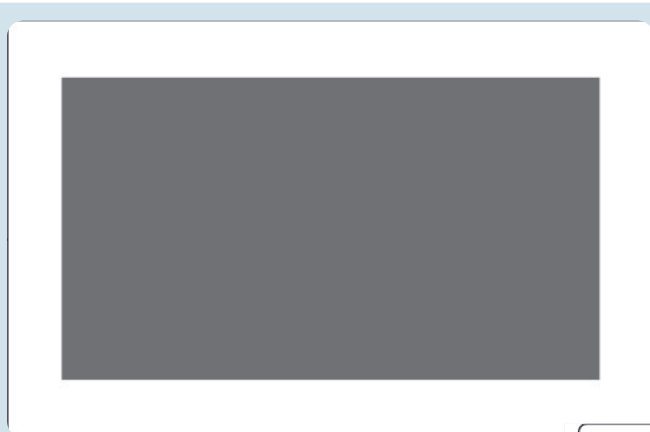
### Silent Operation

Due to the low power consumption and the fact that no moving parts are onboard, the device operates completely silently. This makes it ideal for the usage in living rooms and bedrooms.

By using PoE interface (Power over Ethernet), there is no need of other cabling than a CAT5 or CAT6 installation.

### Operating System as desired

The touch panel COCKPIT-215 comes with a choice of three different operating systems: Windows Embedded Compact 7.0, Embedded Linux and Android 5. We offer full support for system integration, according to your needs.



### Features

- 21.5 LED-TFT with Projected Capacitive Touch
- NVIDIA® Tegra 3 Quad Core Processor
- 3mm anti-reflective glass
- Fanless due to ultra low power technology
- Voltage 12VDC
- Operating systems:
  - Android 5
  - Windows Embedded Compact 7
  - Embedded Linux

### Specification

- Display:
  - 21.5 inches, 1920x1080px, 16:9, 16.7M colours
  - LED backlight
  - Brightness 300 cd/m2, Contrast 5000:1
  - Viewing angle 89/89/89/89° (L/R/O/U)
- Microphone und speaker (optional)
- Interfaces:
  - Ethernet 10/100
  - USB 2.0
- Fanless - no moving parts
- Power consumption max. 30W
- NVIDIA® Tegra 3 ARM Cortex A9 MPCORE 1.4GHz Quad Core
- 1MB DDR2 RAM
- 4GB NAND Flash onboard & internal microSD slot
- Operating temperature range 0 - 50°C
- Dimensions flush-mounting box (L x W x H): 552x353x125 mm
- Dimensions Panel (L x W x H): tbd
- Dimensions Front (L x W x H): tbd
- CE EN55022 Class B / RoHS

### VERTRI EBSPARTNER:

Primelco Visual Data AG | Neuhoferstrasse 25 | 6340 Baar | +41 767 01 70 | [www.primelco.ch](http://www.primelco.ch) | <http://shop.primelco.ch>



**Application Examples on Android OS**

**Eisbär Scada App**



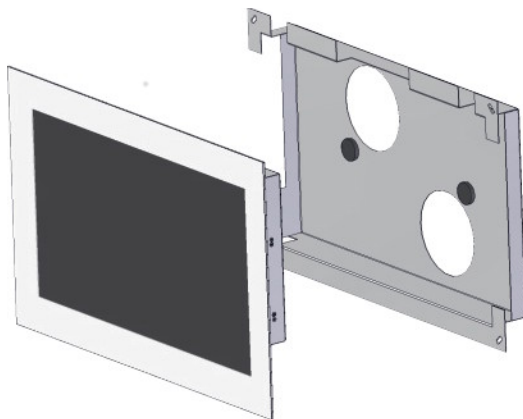
**Loxone App**



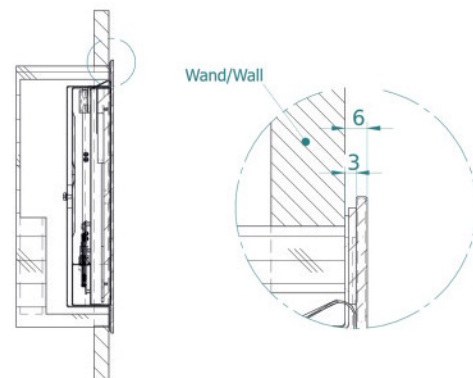
**Sonos Controller**



**Explosion View**



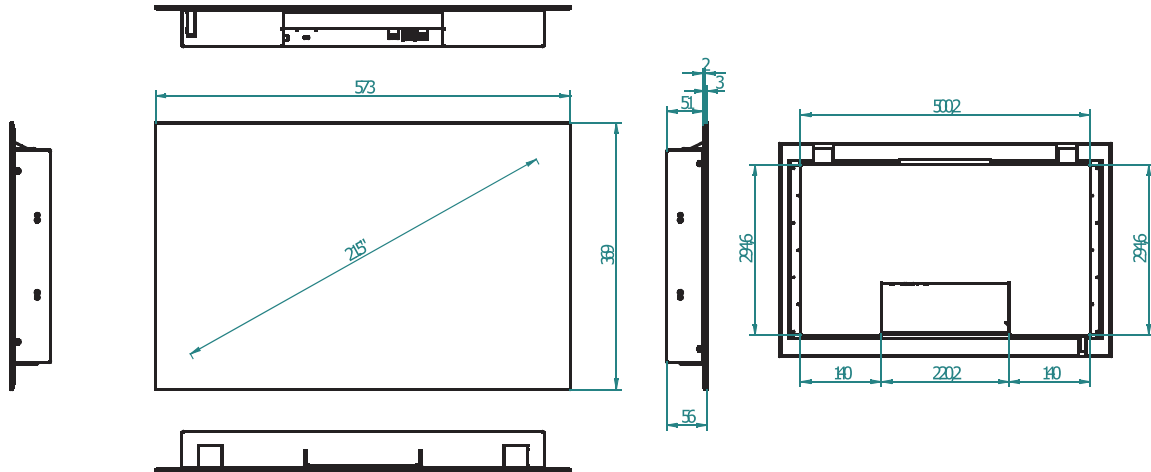
**Sideview**



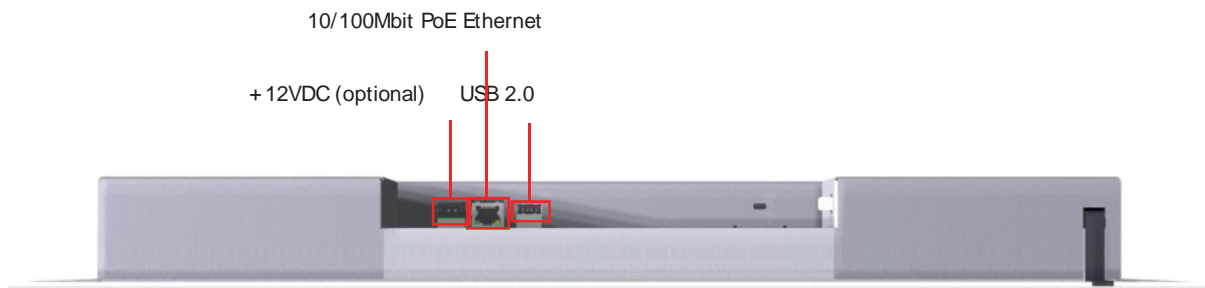
**VERTRI EBSPARTNER:**



**Dimensions (mm)**



**Interfaces**



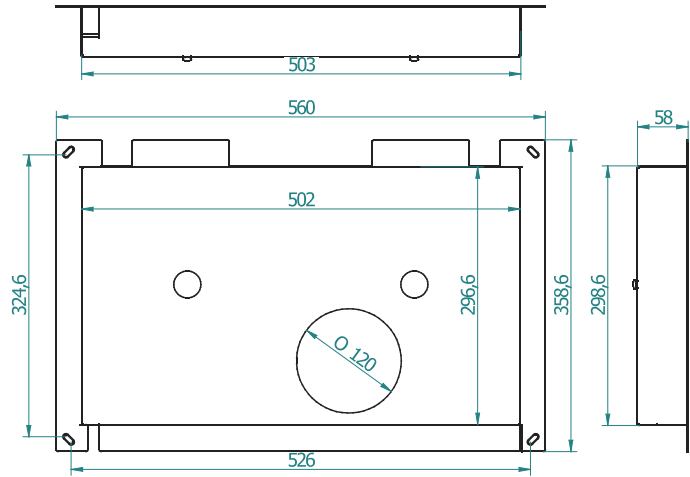
**Rear View**



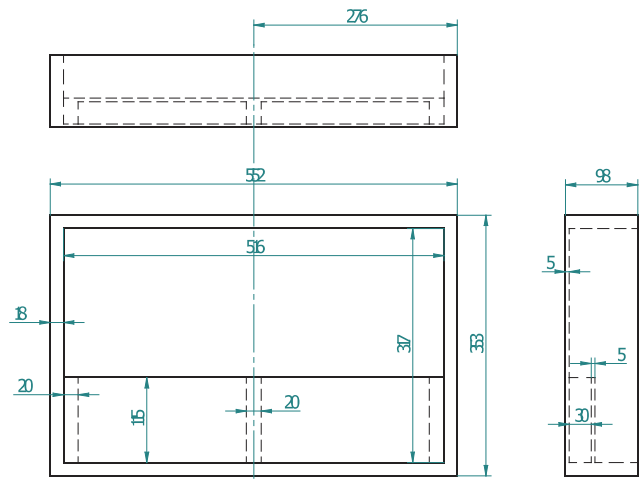
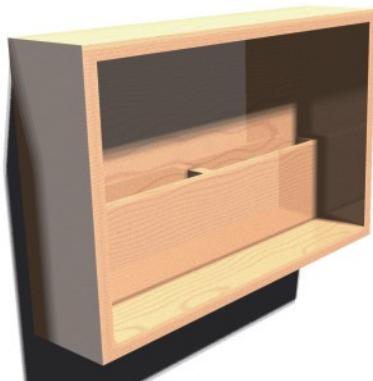
**VERTRI EBSPARTNER:**



**Mounting Frame**



**Flush-mounting box (accessories)**

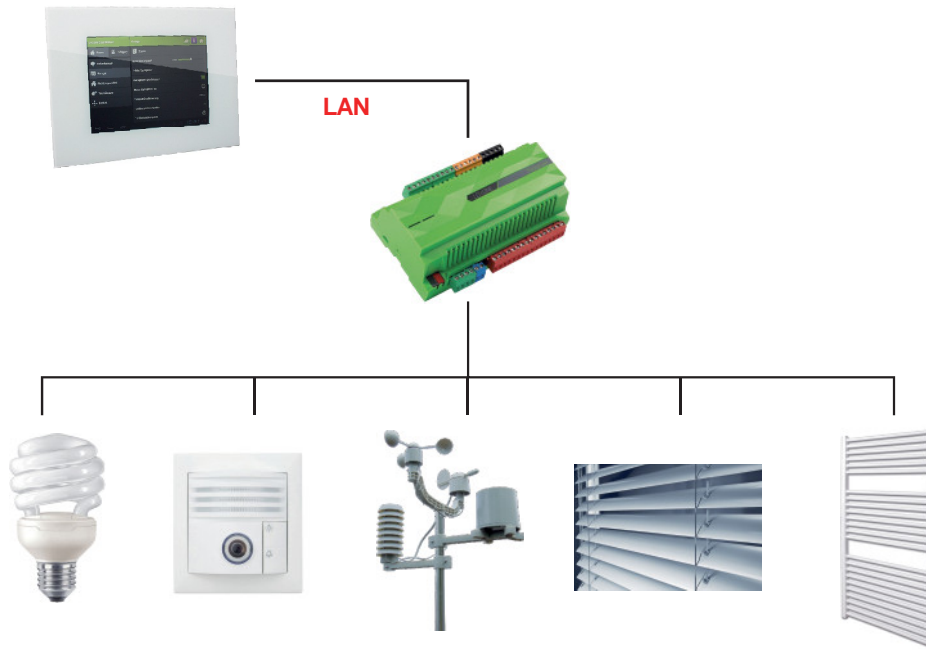


**VERTRI EBSPARTNER:**

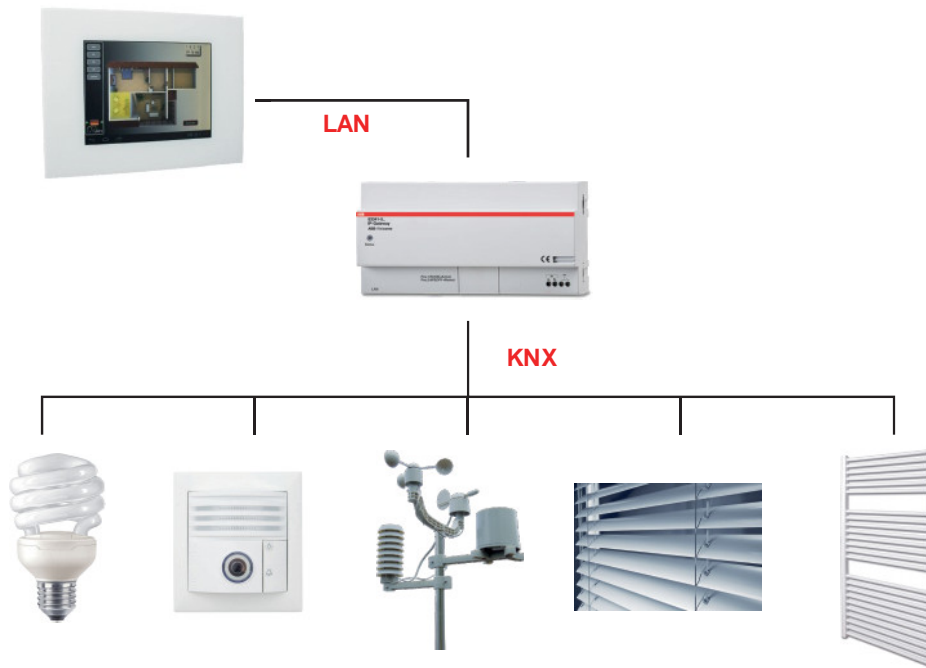


## Installation Examples

### Loxone Building Automation



### KNX Building Automation



**VERTRI EBSPARTNER:**