







## PRiSteel-Series

### Main Features:

-  adapted for PRiSteel - Series
-  massive construction
-  stainless steel (wall-/desktop-/keyboard-brackets)
-  inclinable approx. 160° angle



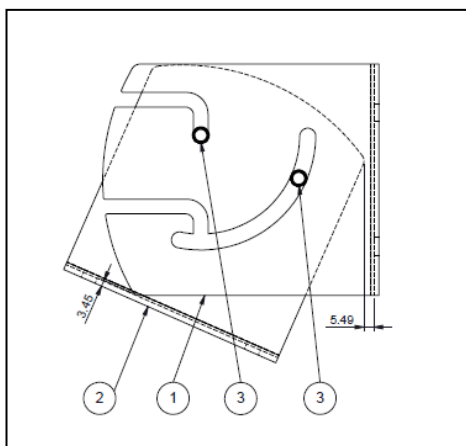
## PRiSteel-21

## ACCESSOIRES

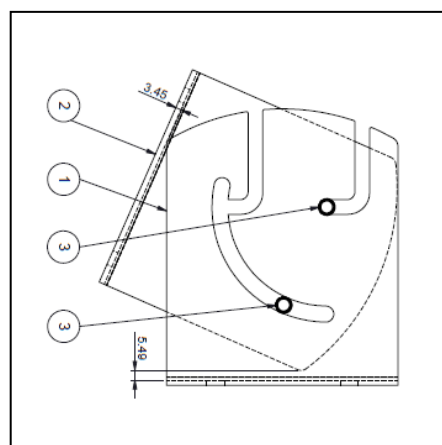


### Wall Mount & Table bracket

Material	Stainless steel (Inox)
VESA	100*100
Inclinable	angle approx. 160
Order Information	PRI-ACS.H0WH000000



[WALL Mount]

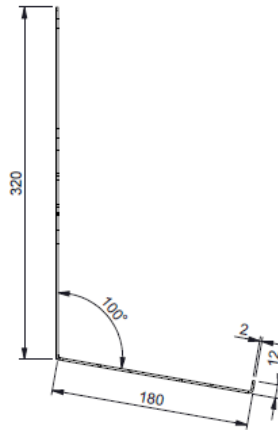
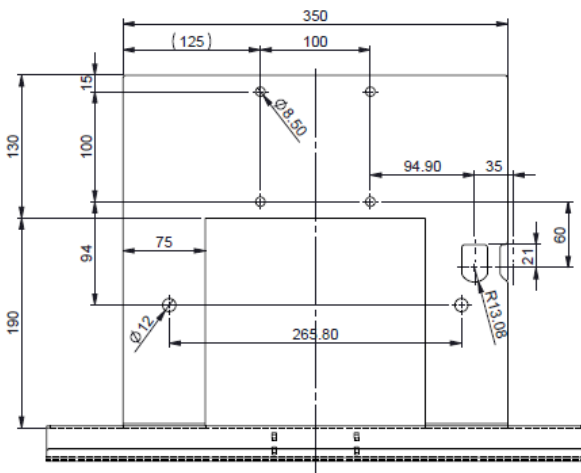


[TABLE Mount]



## Keyboard bracket

Material	Stainless steel (Inox)
VESA	100*100
Dimensions plate	350 x 320
Dimensions Keyboard	489 x 180 / 100°
Order Information	DIV-MEC.H0TH000000



## Monitor Stand

Material	Steel massive
Color	black
VESA	75*75/100/100
Inclinable plate	angle approx. 160
Special	internal area for PSU
Order Information	PRI-ACS.H0SF000000



\* Note: this is a simplified drawing and some components are not marked in detail.  
 \*\* Please contact our sales representative if you need further product information.  
 \*\*\* Note: All Specifications are subject to change without prior notice.