

PRIcontrol-Series

PRIMELCO 
VISUAL DATA

The PRIcontrol-series are suitable for a use in the building technology and are fully equipped touch panel PCs. The hardware platform supports a wide range of operating system:
Windows 10 IoT enterprise / Android 5.1 / Linux Ubuntu 16.04

Windows 10 IoT

ubuntu 



You can get this all for a great cost-benefit ratio.



Different sizes with option microphone and speaker

- ✓ 7" (Flush-Mount Version)
- ✓ 10.1"
- ✓ 15.6"
- ✓ 21.5"

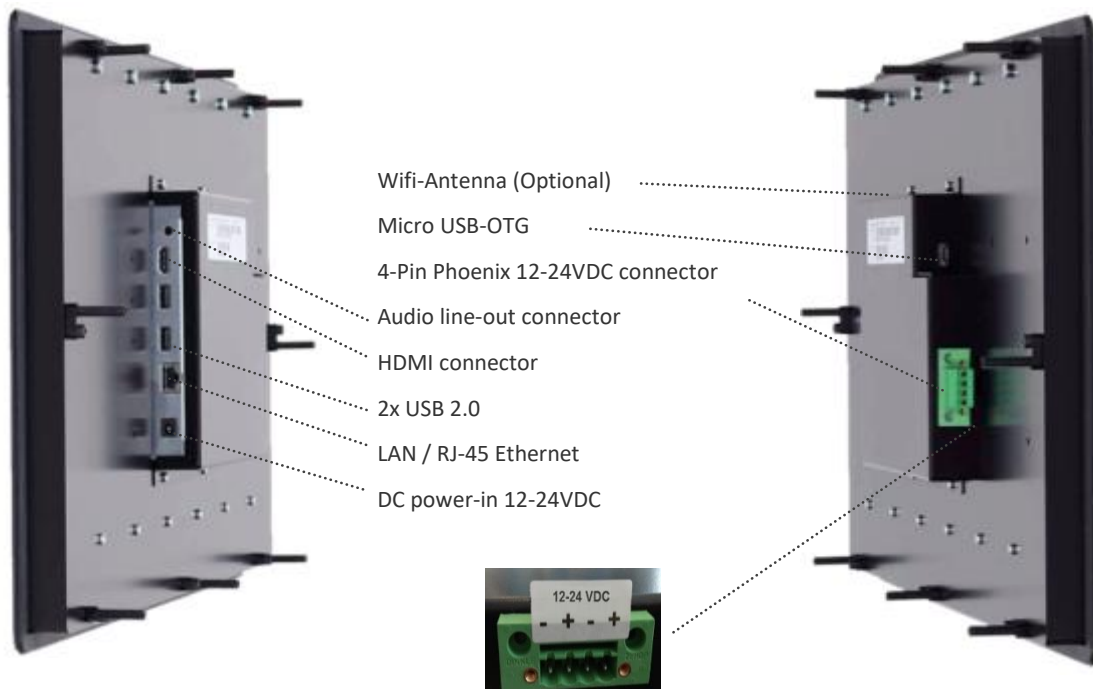
PRicontrol-Series

PRIMELCO
VISUAL DATA

All PPC have full aluminum housing with various I/O ports for brilliant peripheral connectivity and ultra slim design, starting from 42mm thickness. There are three different mechanical versions:

- Panel-Mount
- Flush-mount Adapter-kit
- Wall-mount

Standard Interfaces



Specification

	PRicontrol-7	PRicontrol-10	PRicontrol-15	PRicontrol-21
Board Specification				
Processor	Intel Atom Z3735F			
System Memory	2GB DDR3L RAM			
Storage	32GB eMMC			
Standard I/O				
USB	USB 2.0	x2		
LAN	10/100 Ethernet	x1		
Display	HDMI	x1		
Audio	Head phone jack	x1		
Power				
Power-In	12 to 24V DC wide input	✓		
Power Type	DC Jack DC input 4pin header	Flush-Mount Version	Panel-Mount Version, Flush-Mount Version, Wall-mount Version	
			Panel-Mount Version, Flush-Mount Version, Wall-mount Version	
Power consumption max. load	11 W	12 W	13 W	29 W
LCD Characters - Panel				
Display Size	7"	10.1"	15.6"	21.5"
Resolution	1280 x 800		1920 x 1080	
Luminance	300	350	220	250
View Angle (H+/V+)	170° / 170°		178°/178°	
Touch	PCAP, 2 point multi touch			
Surface hardness	6H			
Software Support				
Windows 10 IoT Enterprise, 32 Bit	LTSB 2016 / 32GB eMMC			
Android 5.1 , 64 Bit	32GB eMMC			
Ubuntu 16.04, , 64 Bit	32GB eMMC			
Housing (default)				
Outline dimensions (L x W x D)	200 x 144 x 17	280 x 194 x 42	417 x 265 x 42	535 x 334 x 52
Cut-out dimensions	175 x 261		246 x 398	315 x 516
IP54	✓			
Panel-Mount incl. mounting brackets		✓	✓	✓
Flush-Mount Adapter-kit	✓	✓	✓	✓
Aluminium front bezel	✓ (black)			
Environmental				
Operating Temp	0°C – 40°C			
Storage Temp	-10°C – 60°C			
Operating Humidity	0% - 90% Relative Humidity, Non-condensing			
Options				
Serial I/O				
USB-OTG cable	✓			
RS232 (TX/RX) / RS485 D-Sub9 header	✓			
Wireless Communication				
Integrated WIFI 802.11 b/g/n Module	✓			
Microphone and speakers				
Microphone and 2W speakers	✓			
Power - Adapter				
External Power Supply Unit 230VAC/60W	✓			
Housing				
Mounting VESA 75	✓			
Custom colour design MOQ - 20	✓			
Company logo on front cover panel, MOQ	✓			

Panel Mount Version

The Panel-Mount Version of the PRicontrol-Series includes pre-assembled mounting-brackets for an easy and tool-free installation of the device into an opening in a cabinet or enclosure from front side.

Focused application:

- Building Automation
- Machine control
- Kiosk / POI



mounting-brackets



Flush-Mount Adapter-Kit for 10.1 / 15.6 / 21.5 inch

The Flush-Mount Adapter-Kit can be used for any PriControl Device and allows installing the PriControl Unit into the wall.

The PriControl is fixed by high-performance magnets and allows removing the installed device without any additional tools.

The Flush-Mount Adapter-Kit contains 2-4 Magnets (depending on the screen size) to adjust the Device into the wall-box and the wall-box to mount PriControl Device itself.

Focused application:

- Building and room automation
- Building guidance system



PRIcontrol-Series

Demonstration of possible integration PriControl with the Flush-Mount Adapter-Kit



flush-mounted box outline
dimensions

L [mm] W [mm] D [mm]

PRIcontrol-10 (10,1")

267 181 70

PRIcontrol-15 (15,6")

403 251 70

PRIcontrol-21 (21,5")

521 320 70



Flush-Mount Adapter-Kit for 7"

flush-mounted box outline
dimensions

L [mm]

W [mm]

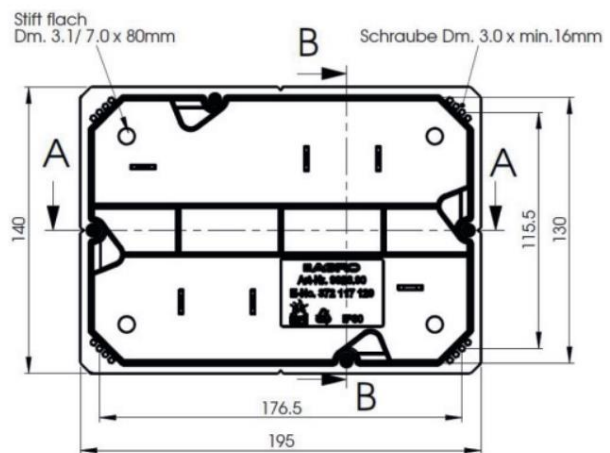
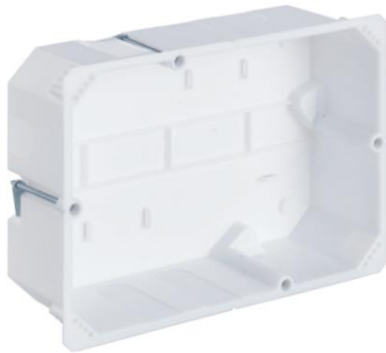
D [mm]

PRIcontrol-07 (7")

195

140

56



Please contact for more
Information:

order@primelco.ch

+41 41 767 01 70