

Product Catalog 2016

Industrial Pointing Devices



TABLE OF CONTENTS

TABLE OF CONTENTS	2
INDUSTRIAL POINTING DEVICES / TRACKBALL MODULES	3
TRACKBALL AND TOUCHPAD	4
PRI-KYB-B65-25-TBL	4
PRI-KYB-B67-25-MTB-BTM	6
PRI-KYB-B67-25-OTBM-BTM	8
PRI-KYB-B78-TBL	10
PRI-KYB-B78-MTB-BTM	12
PRI-KYB-B88-25-OTBM	14
PRI-KYB-A83-38-MTB	16
PRI-KYB-A83-38-OTBM	17
PRI-KYB-A83-38-LTBM	18
PRI-KYB-A83-38-TBL-BTM	19
PRI-KYB-B83-38-OTBM	20
PRI-KYB-B83-38-LTBM	22
PRI-KYB-A107-38-MTB	24
PRI-KYB-A107-38-LTBM	26
PRI-KYB-A107-38-TBL-BTM	28
PRI-KYB-B107-38-OTBM	29
PRI-KYB-B107-38-LTBM	31
PRI-KYB-B107F-38-OTBM	33
PRI-KYB-B107R-38-OTBM	35
PRI-KYB-B107R-38-OTBM-BTM	37
PRI-KYB-A107-38-TBL-MDT	39
PRI-KYB-A107-38-MTB-IDT	41
PRI-KYB-B107-38-OTBM-IDT	43
PRI-KYB-B100-50-MTB	45
PRI-KYB-B111-50-MTB-BTM	46
PRI-KYB-B80TP	47
PRI-KYB-A83TP	49
PRI-KYB-A83RTP-V02	51
PRI-KYB-B83TP	53
PRI-KYB-B83RTP-BTM	55
PRI-KYB-A143TP	57
PRI-KYB-A107TP	59
PRI-KYB-B107TP	61
PRI-KYB-B107RTP-BTM	63
PRI-KYB-A107RTP-MDT	65
PRI-KYB-A160-38-TBL-NKP	67
PRI-KYB-A160RTP-NKP	68
PRI-KYB-A160RTP-NKP-MDT	68
PRI-KYB-A160-38-TBL-NKP-MDT	69
PRI-KYB-B160RTP-NKP	70
PRI-KYB-B153-50-MTB	71
PRI-KYB-M90-25-MTB	72
PRI-KYB-M124-38-CTBM	73

INDUSTRIAL POINTING DEVICES

MAIN FEATURES

- Emulates most popular mice - uses existing mouse driver and mouse software Interfaces for most workstations and computers.
- All Metal Mechanical provide for rugged, smooth, long lasting operation.
- Optical Encoders provide fast, high resolution, reliable positioning data.

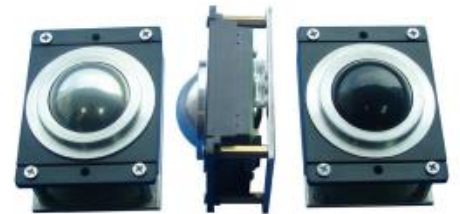
TRACKBALL MODULES



PRI-KYB-25-MTB



PRI-KYB-25-OTBM



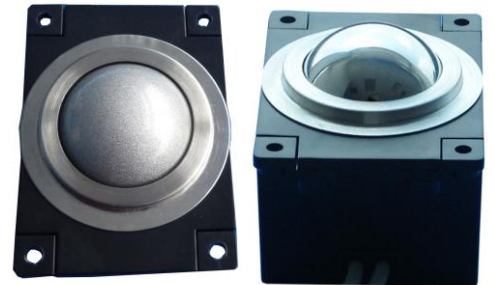
PRI-KYB-38-MTB



PRI-KYB-16-O



PRI-KYB-50-MT



PRI-KYB-38-OTBM/L



PRI-KYB-19-MT



PRI-KYB-50-LT



PRI-KYB-38-CTBM

TRACKBALL AND TOUCHPAD

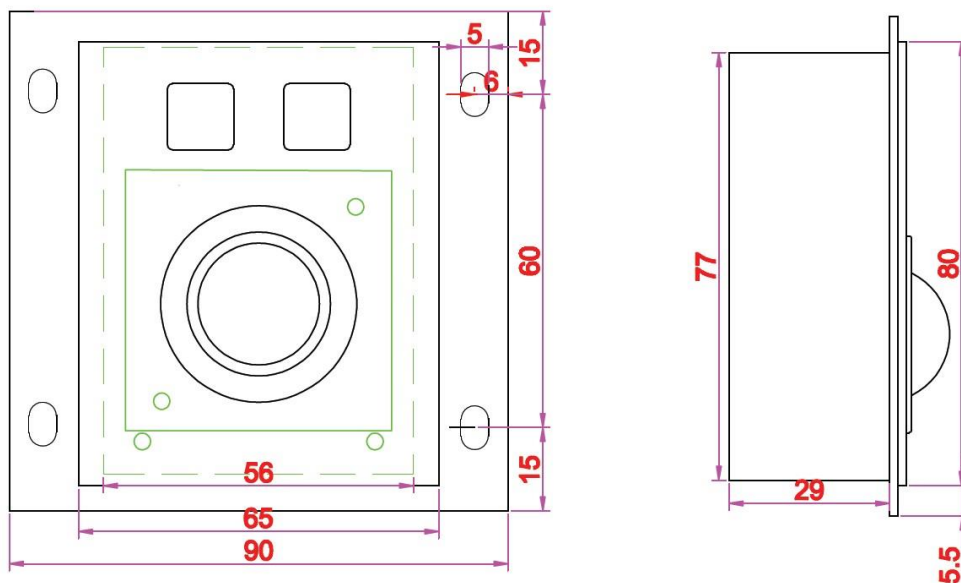
PRI-KYB-B65-25-TBL

DESCRIPTION: IP65 static Vandal proof Stainless Steel industrial Trackball with IP65 Static 25mm stainless steel Mechanical Trackball module with 400 DPI or with IP68 dynamic 25mm stainless steel optical trackball module with 800DPI, trackball module shielded and protected by stainless steel housing, rear stainless steel plate with



- Emulates most popular mice - uses existing mouse driver and mouse software Interfaces for most workstations and computers.
- All Metal Mechanical provide for rugged, smooth, long lasting operation.
- Available 50mm, 40mm, 38mm, 25mm, 22mm, 19mm and 16mm Diameter Stainless steel or Hard Phenolic Resin Ball for smooth, durable operation and precise cursor positioning.
- Rate Sensitive Dynamic Resolution provides for accelerated movement of the cursor when the ball is moved fast, while retaining one-pixel positioning accuracy when the ball is moved slowly.
- Teflon Ball Shields are available for dirt and water protection in harsh environments.

Product Name			IP Rate
PRI-KYB-B65-25-MTB	Trackball; Mechanical trackball with 400 DPI	PS/2; USB	IP65 Dynamic
PRI-KYB-B65-25-OTBM	Trackball; Optical trackball with 800 DPI	PS/2; USB	IP68 Dynamic
Other language versions/interfaces/configuration available on request			



ITEM		SPECIFICATION
Mechanical	Key	2 keys, quality brushed stainless steel
	Key top style	Plain/non-Protuberant Rectangular Keys,
	Front Plate	Quality brushed stainless steel
	Key Travel	0.45mm
	Ball diameter	25.0mm (1.0')
	Key switch lifespan	more than 3 Mio actuations
	Track ball lifespan	> 10 Mio revolutions
	Track ball resolutions	800 DPI
	Back Metal Cover	Rear side integrated electronics protected by a metal cover
	Actuation Force	1.0N to 3.0N
	Mounting Rack	Stainless Steel
	Dimension	Dimensions with 25mm track ball, Front plate (W x H): 65.0 x 80.0mm, Overall (W x H x D): 90.0 x 90.0 x 29.5mm
Interface	PS2, USB are available, Y type cable with ports of PS2 and USB	
Electrical	Power supply	5V DC \pm 10%
	Protection level	IP68 dynamic (front panel), NEMA3
	EMC Standard	EN55022(B)
	Power consuming	\leq 1.0W(dynamic)
		\leq 0.2W(static)
Contact Material	Gold/Gold	
Environmental	Operating temperature	-20°C~+ 60° C
	Storage temperature	- 30°C~+ 70°C
	Operating RH	30~90%
	Atmospheric pressure	60~106Kpa.
Reliable	Certificates	RoHS Compliant, CE and FCC,ESD certified.
	MTBF	>50000H
	MTTR	< 30 MIN
OS	OS is under Windows95/98/NT/ME/2000/XP/2003/Vista/WIN7, Linux, Unix, Mac OS9 / OSX	
Packing Details	Each unit to a suitable brown inner box,suitable brown inner boxes to a standard export carton.	

PRI-KYB-B67-25-MTB-BTM

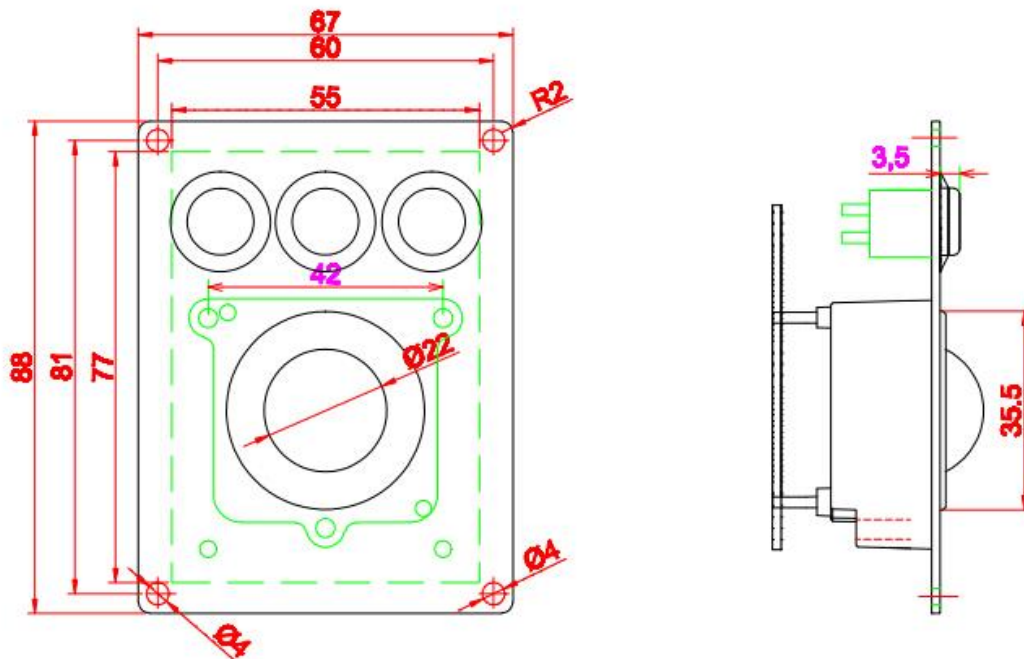
DESCRIPTION: IP65 static Vandal proof Stainless Steel industrial Trackball with IP65 Static 25mm stainless steel Mechanical Trackball module with 400 DPI, trackball module shielded and protected by stainless steel housing, 3 sealed stainless steel mouse buttons designed for right & left clicking and scrolling up and down with ball rolling with, rear stainless steel plate with mounting holes for rear panel mounted. high quality durable black titanium electroplated on the top stainless steel plate.

DIMENSIONS: 67.0mm x 88.0mm (front panel)



MAIN FEATURE:

- Emulates most popular mice - uses existing mouse driver and mouse software Interfaces for most workstations and computers.
- All Metal Mechanicals provide for rugged, smooth, long lasting and no noisy operation.
- Laser Encoders provide high resolution more than +400DPI, fast and reliable positioning data.
- Available 25mm diameter Stainless steel for smooth, quick and durable operation and precise cursor positioning without any noise.
- Rate Sensitive Dynamic Resolution provides for accelerated movement of the cursor when the ball is moved fast, while retaining one-pixel positioning accuracy when the ball is moved slowly.
- Can be mounted horizontally, and vertically.



TECHNICAL SPECIFICATION

ITEM		SPECIFICATION
Mechanical	Key	3 keys, IP65 dynamic quality stainless steel button
	Key top style	sealed round stainless steel buttons with tactile feeling
	Front Plate	Quality brushed stainless steel
	Key Travel	1.00 mm
	Ball diameter	25.00mm
	Key switch lifespan	more than 10 Mio actuations
	Track ball lifespan	> 10 Mio revolutions
	Actuation Force	1.0N to 3.0
	Mounting Rack	top stainless steel plate with mounting screw bolts
	Dimension	Dimensions with 25mm track ball,
Interface	PS2, USB are available, Y type cable with ports of PS2 and USB	
Electrical	Power supply	5V DC \pm 10%, mouse interface
	Protection level	IP65 dynamic (front panel), NEMA3, IK10
	EMC Standard	EN55022(B)
	Power consuming	\leq 1.00W(dynamic)
		\leq 0.2W(static)
Contact Material	sealed stainless steel buttons	
Environmental	Operating temperature	-20°C~+ 60° C
	Storage temperature	- 30°C~+ 70°C
	Operating RH	30~90%
	Atmospheric pressure	60~106Kpa.
Reliable	Certificates	RoHS compliant, CE and FCC certified, ESD
	MTBF	>50000H
	MTTR	< 30min
OS	All Windows, Linux, Unix, Mac OSX	
Packing Details	Each unit to a suitable brown box, suitable brown boxes to a standard export carton.	

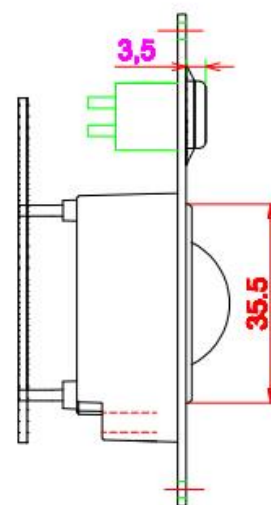
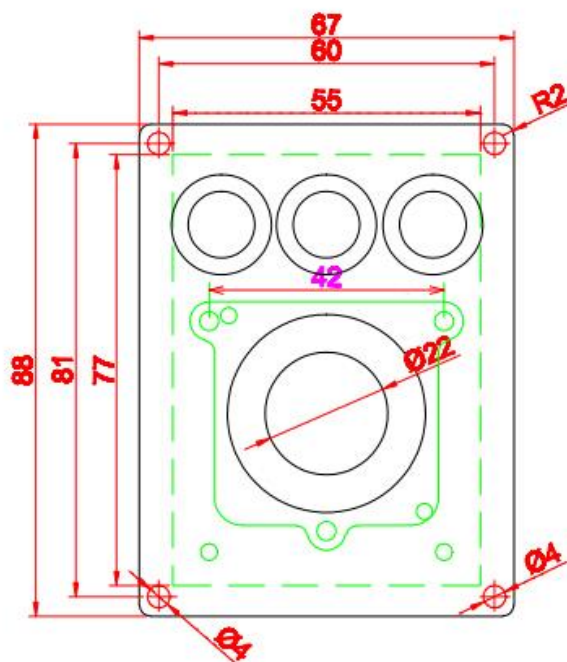
PRI-KYB-B67-25-OTBM-BTM

DESCRIPTION: IP65 dynamic Vandal proof Stainless Steel industrial Trackball with IP68 dynamic washable 25mm stainless steel Optical Trackball module with +800 DPI for fast and accurate cursor position with extremely smooth operation without any noise, trackball module shielded and protected by stainless steel housing, 3 sealed stainless steel mouse buttons designed for right & left clicking and scrolling up and down with ball rolling with, rear stainless steel plate with mounting holes for rear panel mounted. high quality durable black titanium electroplated on the top stainless steel plate

DIMENSIONS: 67.0mm x 88.0mm (front panel)



- Emulates most popular mice - uses existing mouse driver and mouse software Interfaces for most workstations and computers.
- All Metal Mechanicals provide for rugged, smooth, long lasting and no noisy operation.
- Laser Encoders provide high resolution more than +800DPI, fast and reliable positioning data.
- Available 25mm diameter Stainless steel for smooth, quick and durable operation and precise cursor positioning without any noise.
- Rate Sensitive Dynamic Resolution provides for accelerated movement of the cursor when the ball is moved fast, while retaining one-pixel positioning accuracy when the ball is moved slowly.



TECHNICAL SPECIFICATION

ITEM		SPECIFICATION
Mechanical	Key	3 keys, IP65 dynamic quality stainless steel button
	Key top style	sealed round stainless steel buttons with tactile feeling
	Front Plate	Quality brushed stainless steel
	Key Travel	1.00 mm
	Ball diameter	25.00mm
	Key switch lifespan	more than 10 Mio actuations
	Track ball lifespan	> 10 Mio revolutions
	Actuation Force	1.0N to 3.0
	Mounting Rack	top stainless steel plate with mounting screw bolts
	Dimension	Dimensions with 25mm track ball,
Interface	PS2, USB are available, Y type cable with ports of PS2 and USB	
Electrical	Power supply	5V DC \pm 10%, mouse interface
	Protection level	IP65 dynamic (front panel), NEMA3, IK10
	EMC Standard	EN55022(B)
	Power consuming	\leq 1.00W(dynamic)
		\leq 0.2W(static)
Contact Material	sealed stainless steel buttons	
Environmental	Operating temperature	-20°C~+ 60° C
	Storage temperature	- 30°C~+ 70°C
	Operating RH	30~90%
	Atmospheric pressure	60~106Kpa.
Reliable	Certificates	RoHS compliant, CE and FCC certified, ESD
	MTBF	>50000H
	MTTR	< 30min
OS	All Windows, Linux, Unix, Mac OSX	
Packing Details	Each unit to a suitable brown box, suitable brown boxes to a standard export carton.	

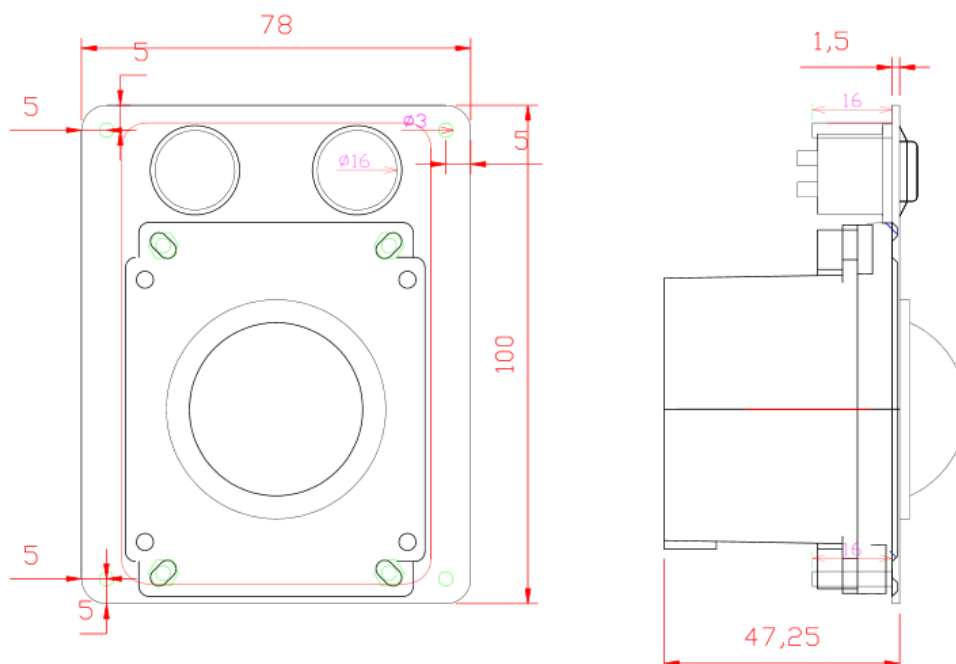
PRI-KYB-B78-TBL

Description: IP65 static rated compact format vandal proof stainless steel trackball with IP65 dynamic sealed & ruggedized stainless mouse buttons and IP65 static rated stainless steel trackball module, with rubber sealing gasket under top stainless steel plate for easy sealing and tightly mounting with cabled, stainless steel top plate with threaded bolts for top panel mounting solution. Trackball module with below 3 different protection versions: IP65 static 38.0mm mechanical trackball module with +400 DPI resolutions; IP68 dynamic 38.0mm optical trackball module with +800 DPI resolutions. IP68 dynamic 38.0mm laser trackball module with +1200 DPI resolutions.



- Emulates most popular mice - uses existing mouse driver and mouse software Interfaces for most workstations and computers.
- All Metal Mechanical provide for rugged, smooth, long lasting operation.
- Available 50mm, 40mm, 38mm, 25mm, 22mm, 19mm and 16mm Diameter Stainless steel or Hard Phenolic Resin Ball for smooth, durable operation and precise cursor positioning.
- Rate Sensitive Dynamic Resolution provides for accelerated movement of the cursor when the ball is moved fast, while retaining one-pixel positioning accuracy when the ball is moved slowly.
- Teflon Ball Shields are available for dirt and water protection in harsh environments.

Product Name			IP Rate
PRI-KYB-B78-MTB	Trackball; Mechanical trackball with 400 DPI	PS/2; USB	IP65 Dynamic
PRI-KYB-B78-OTBM	Trackball; Optical trackball with 800 DPI	PS/2; USB	IP68 Dynamic
PRI-KYB-B78-LTBM	Trackball; Laser trackball with 1200 DPI	PS/2; USB	IP68 Dynamic
Other language versions/interfaces/configuration available on request			



TECHNICAL SPECIFICATION:

ITEM	SPECIFICATION	
Mechanical	Key	2 keys, quality brushed stainless steel
	Key top style	Plain/non-Protuberant Rectangular Keys,
	Front Plate	Quality brushed stainless steel
	Key Travel	0.45mm
	Ball diameter	25.0mm (1.0')
	Key switch lifespan	more than 3 Mio actuations
	Track ball lifespan	> 10 Mio revolutions
	Track ball resolutions	800 DPI
	Back Metal Cover	Rear side integrated electronics protected by a metal cover
	Actuation Force	1.0N to 3.0N
	Mounting Rack	Stainless Steel
	Dimension	Dimensions with 38.0mm track ball, Front plate (W x H): 78.0 x 100.0mm.
Interface	PS2, USB are available, Y type cable with ports of PS2 and USB	
Electrical	Power supply	5V DC \pm 10%
	Protection level	IP68 dynamic (front panel), NEMA3
	EMC Standard	EN55022(B)
	Power consuming	\leq 1.0W(dynamic)
		\leq 0.2W(static)
Contact Material	Gold/Gold	
Environmental	Operating temperature	-20°C~+ 60° C
	Storage temperature	- 30°C~+ 70°C
	Operating RH	30~90%
	Atmospheric pressure	60~106Kpa.
Reliable	Certificates	RoHS Compliant, CE and FCC,ESD certified.
	MTBF	>50000H
	MTTR	< 30 MIN
OS	OS is under Windows95/98/NT/ME/2000/XP/2003/Vista/WIN7, Linux, Unix, Mac OS9 / OSX	
Packing Details	Each unit to a suitable brown inner box,suitable brown inner boxes to a standard export carton.	

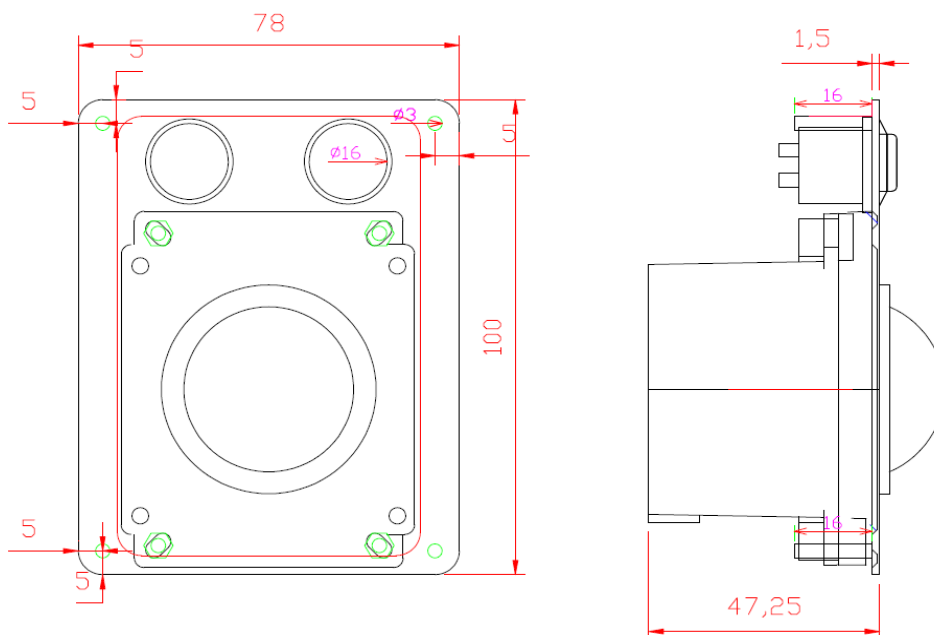
PRI-KYB-B78-MTB-BTM

DESCRIPTION: IP65 static rated compact format vandal proof stainless steel mechanical trackball with IP65 dynamic sealed & ruggedized stainless mouse buttons and IP65 static rated 38.0mm stainless steel mechanical trackball module with +400 DPI, with rubber sealing gasket under top stainless steel plate for easy sealing and tightly mounting with cabinet, stainless steel top plate with threaded bolts for top panel mounting solution. High quality durable black titanium electroplated on the top stainless steel plate with threaded bolts for top panel mounting solution.

DIMENSIONS: 78.0mm x 100.0mm (top panel)



- Emulates most popular mice - uses existing mouse driver and mouse software Interfaces for most workstations and computers.
- All Metal Mechanicals provide for rugged, smooth, long lasting and no noisy operation.
- Laser Encoders provide high resolution more than +800DPI, fast and reliable positioning data.
- Available 38mm diameter Stainless steel for smooth, quick and durable operation and precise cursor positioning without any noise.
- Rate Sensitive Dynamic Resolution provides for accelerated movement of the cursor when the ball is moved fast, while retaining one-pixel positioning accuracy when the ball is moved slowly.
- Can be mounted horizontally, and vertically.
No metal bearings inside, operation is very smooth, and easy without any noise.



TECHNICAL SPECIFICATION

ITEM		SPECIFICATION
Mechanical	Key	2 keys, IP65 dynamic quality stainless steel button
	Key top style	sealed round stainless steel buttons with tactile feeling
	Front Plate	Quality brushed stainless steel
	Key Travel	1.00 mm
	Ball diameter	38.1mm/1.50" (19mm, 25mm, 36mm 40mm also available)
	Key switch lifespan	more than 10 Mio actuations
	Track ball lifespan	> 10 Mio revolutions
	Actuation Force	1.0N to 3.0
	Mounting Rack	top stainless steel plate with mounting screw bolts
	Dimension	Dimensions with 38mm track ball, Front plate (W x H): 78.0mm x 100.0mm
Interface	PS2, USB are available, Y type cable with ports of PS2 and USB	
Electrical	Power supply	5V DC \pm 10%, mouse interface
	Protection level	IP65 dynamic (front panel), NEMA3, IK10
	EMC Standard	EN55022(B)
	Power consuming	\leq 1.00W(dynamic)
		\leq 0.2W(static)
Contact Material	sealed stainless steel buttons	
Environmental	Operating temperature	-20°C~+ 60° C
	Storage temperature	- 30°C~+ 70°C
	Operating RH	30~90%
	Atmospheric pressure	60~106Kpa.
Reliable	Certificates	RoHS compliant, CE and FCC certified, ESD
	MTBF	>50000H
	MTTR	< 30min
OS	All Windows, Linux, Unix, Mac OSX	
Packing Details	Each unit to a suitable brown box, suitable brown boxes to a standard export carton.	

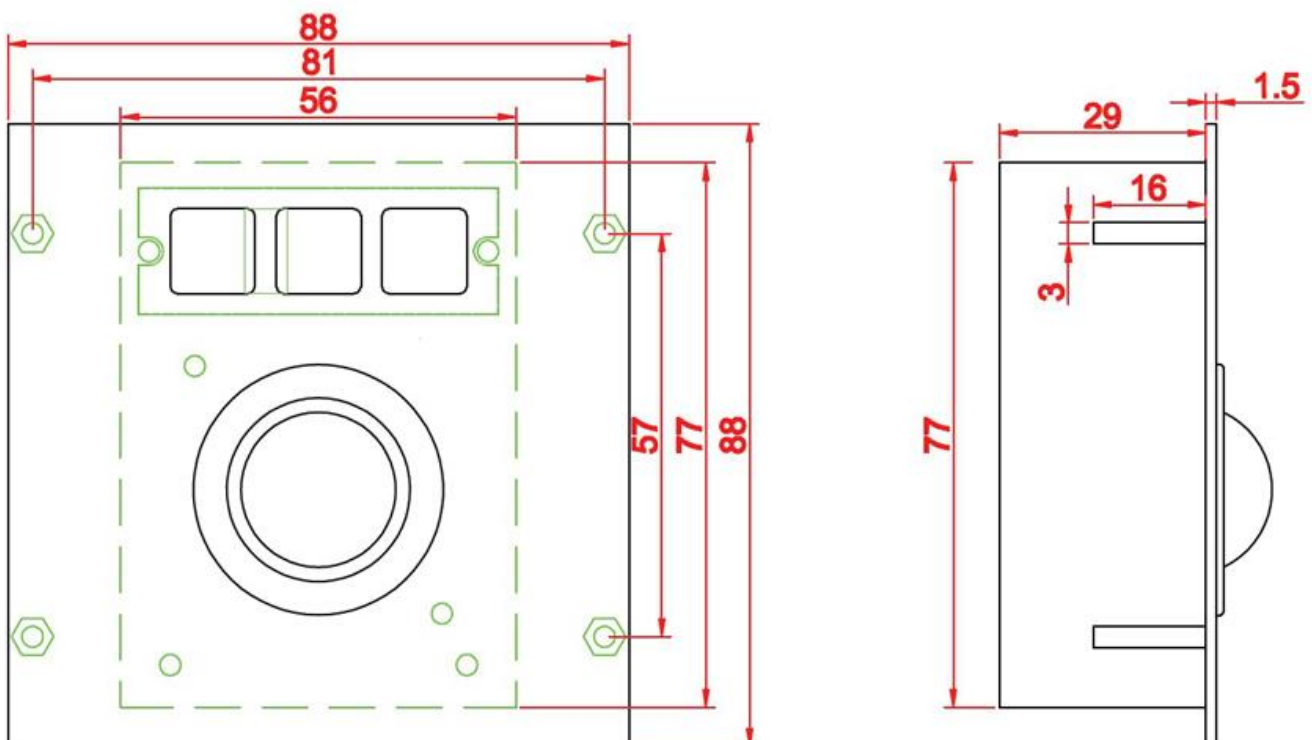
PRI-KYB-B88-25-OTBM

DESCRIPTION: IP65 dynamic Vandal proof Stainless Steel industrial Trackball with IP68 dynamic 25.0mm washable Optical Trackball module with +800 DPI for fast and accurate cursor position with extremely smooth operation without any noise, stainless steel housing protects the trackball module, 3 mouse buttons above trackball designed for right & left clicking and scrolling up and down with ball rolling, stainless steel top plate with threaded bolts for top panel mounting solution.



- Emulates most popular mice - uses existing mouse driver and mouse software Interfaces for most workstations and computers.
- All Metal Mechanical provide for rugged, smooth, long lasting operation.
- Available 40mm, 38mm, 25mm, 22mm, 19mm and 16mm diameter stainless steel or hard phenolic resin ball for smooth, durable operation and precise cursor positioning.
- Rate Sensitive Dynamic Resolution provides for accelerated movement of the cursor when the ball is moved fast, while retaining one-pixel positioning accuracy when the ball is moved slowly.
- Teflon Ball Shields are available for dirt and water protection in harsh environments.

Product Name			IP Rate
PRI-KYB-B88-25-MTB	Trackball; Mechanical trackball with 400 DPI	PS/2; USB	IP65 Dynamic
PRI-KYB-B88-25-OTBM	Trackball; Optical trackball with 800 DPI	PS/2; USB	IP68 Dynamic
Other language versions/interfaces/configuration available on request			



TECHNICAL SPECIFICATION

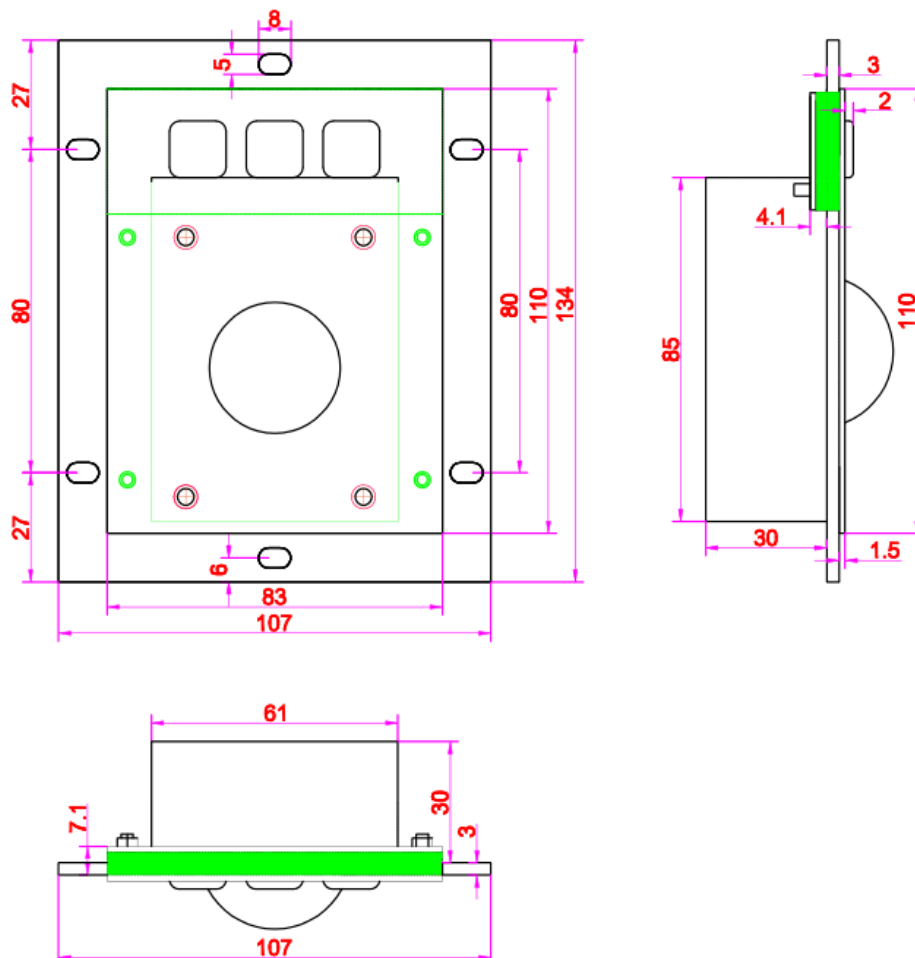
ITEM	SPECIFICATION	
Mechanical	Key	3 keys, quality brushed stainless steel
	Key top style	Non-protuberant rectangular Keys,
	Front Plate	Quality brushed stainless steel
	Key Travel	0.45mm
	Ball diameter	25.4mm/1.0" (19mm, 25mm, 36mm 40mm also available)
	Key switch lifespan	more than 5 Mio actuations
	Track ball lifespan	> 10 Mio revolutions
	Back Metal Cover	Rear side integrated electronics protected by a metal cover
	Actuation Force	1.0N to 3.0N
	Mounting Rack	Stainless steel
	Dimension	Dimensions with 25mm track ball, Front plate (W x H): 88.0mm x 88.0mm
Interface	PS2, USB are available, Y type cable with ports of PS2 and USB	
Electrical	Power supply	5V DC \pm 10%, keyboard interface
	Protection level	IP65 (dynamic), NEMA3
	EMC Standard	EN55022(B)
	Power consuming	\leq 1.00W(dynamic)
		\leq 0.2W(static)
Contact Material	Gold-on-Gold	
Environmental	Operating temperature	-20°C~+ 60° C
	Storage temperature	- 30°C~+ 70°C
	Operating RH	30~90%
	Atmospheric pressure	60~106Kpa.
Reliable	Certificates	RoHS compliant, CE and FCC certified. ESD
	MTBF	>50000h
	MTTR	< 30min
OS	OS is under DOS/Windows95/98/NT/ME/2000/XP/2003/Vista/WIN 7, Linux, Unix, Mac OS9 / OSX	
Packing Details	Each unit to a suitable brown box, suitable brown boxes to a standard export carton.	

PRI-KYB-A83-38-MTB

DESCRIPTION: IP65 static rated vandal proof Stainless Steel industrial Trackball with IP65 static 38mm stainless steel mechanical trackball module with 400 DPI resolutions, trackball module protected and shielded by stainless steel housing, rear stainless steel panel mounted.



- Available 50.0mm, 40mm, 38mm, 25mm, 22mm, 19mm and 16mm Diameter Stainless steel or Hard Phenolic Resin Ball for smooth, durable operation and precise cursor positioning.
- Rate Sensitive Dynamic Resolution provides for accelerated movement of the cursor when the ball is moved fast, while retaining one-pixel positioning accuracy when the ball is moved slowly.
- Teflon Ball Shields are available for dirt and water protection in harsh environments (optional).

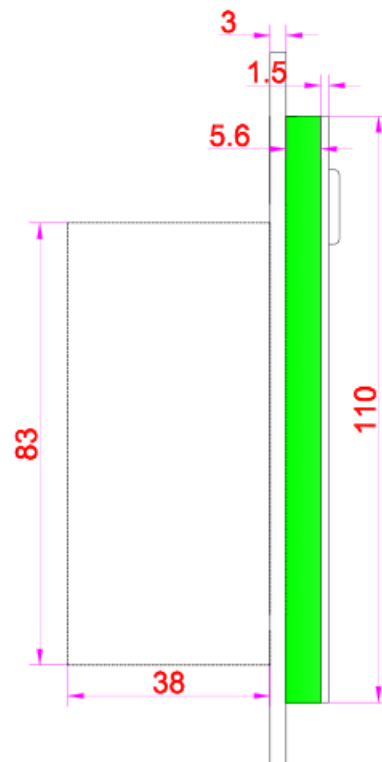
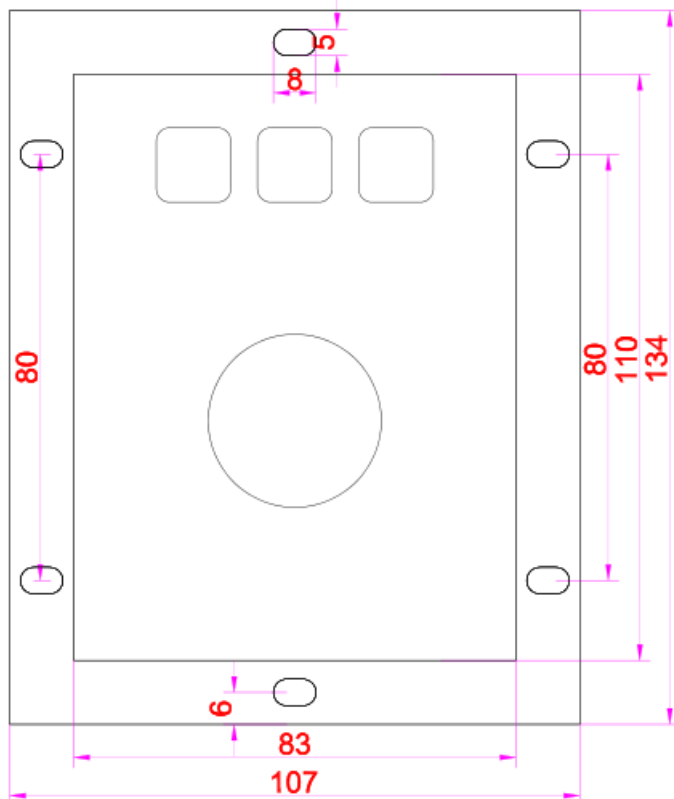


PRI-KYB-A83-38-OTBM

DESCRIPTION: IP65 dynamic rated Vandal proof Stainless Steel industrial Trackball with IP68 dynamic rated washable 38.0mm stainless steel optical trackball module with +800 DPI resolutions for fast and accurate fixing cursor position with extreme smooth operation without any noise, laser trackball module protected and shielded by stainless steel housing, rear stainless steel panel mounted.



- Emulates most popular mice - uses existing mouse driver and mouse software Interfaces for most workstations and computers.
- All Metal Mechanicals provide for rugged, smooth, long lasting operation.
- Laser Encoders provide fast, high resolution more than 1000DPI, reliable positioning data.
- Available 38mm diameter Stainless steel for smooth, durable operation and precise cursor positioning.
- Rate Sensitive Dynamic Resolution provides for accelerated movement of the cursor when the ball is moved fast, while retaining one-pixel positioning accuracy when the ball is moved slowly.

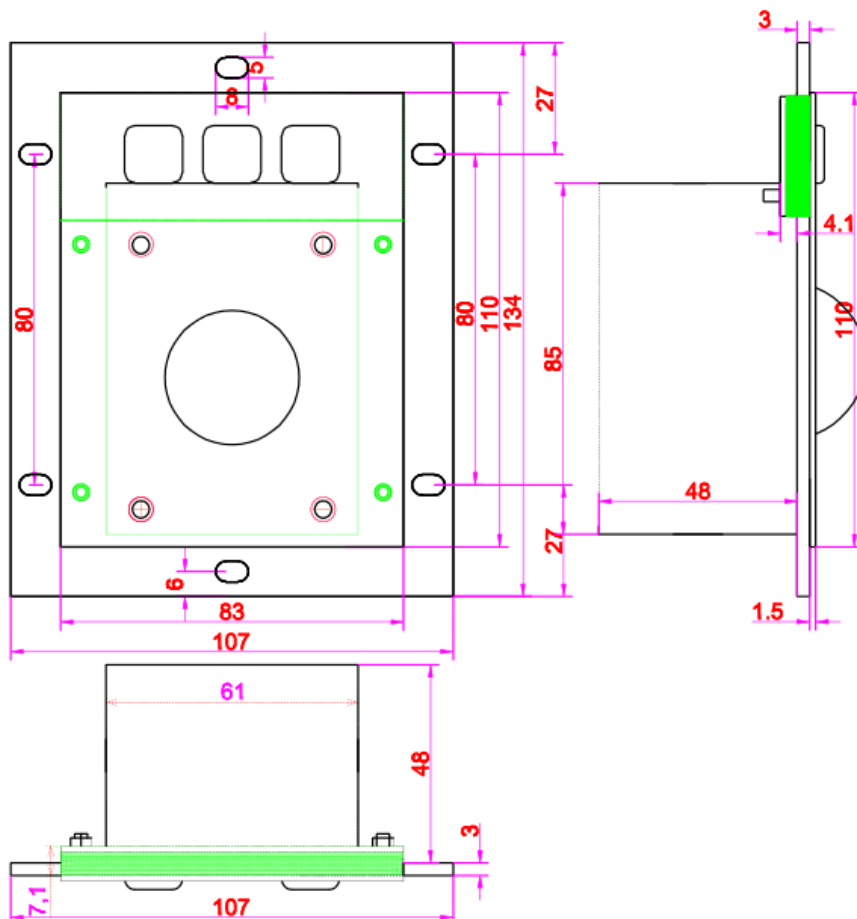


PRI-KYB-A83-38-LTBM

DESCRIPTION: IP65 dynamic rated Vandal proof Stainless Steel industrial Trackball with IP68 dynamic rated washable 38.0mm stainless steel laser trackball module with +1200 DPI resolutions for fast and accurate fixing cursor position with extreme smooth operation without any noise, laser trackball module protected and shielded by stainless steel housing, rear stainless steel panel mounted.



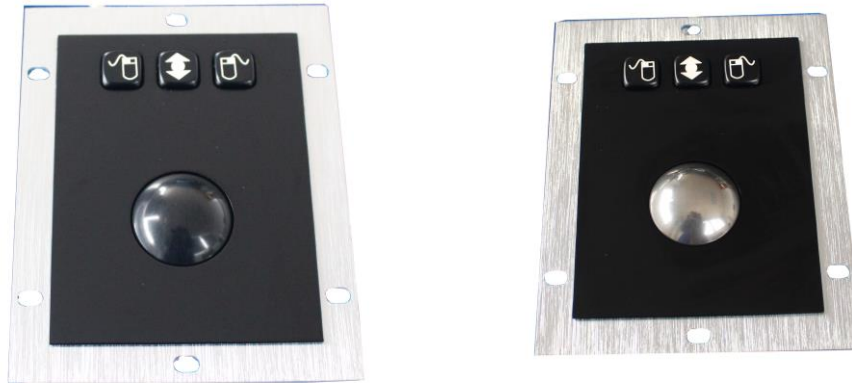
- Emulates most popular mice - uses existing mouse driver and mouse software Interfaces for most workstations and computers.
- All Metal Mechanicals provide for rugged, smooth, long lasting operation.
- Laser Encoders provide fast, high resolution more than 1000DPI, reliable positioning data.
- Available 38mm diameter Stainless steel for smooth, durable operation and precise cursor positioning.
- Rate Sensitive Dynamic Resolution provides for accelerated movement of the cursor when the ball is moved fast, while retaining one-pixel positioning accuracy when the ball is moved slowly.



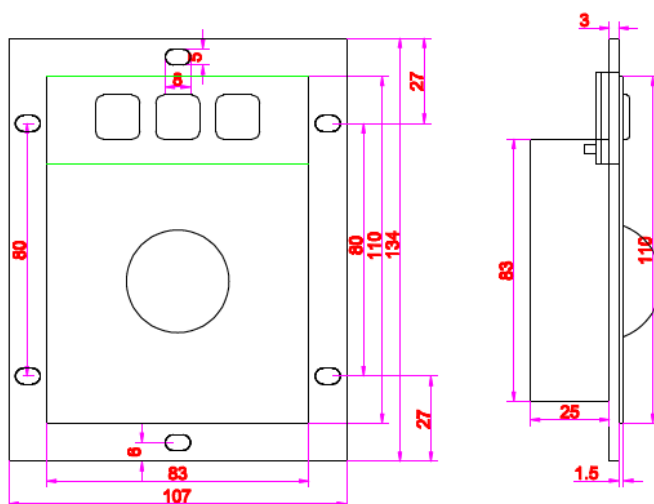
PRI-KYB-A83-38-TBL-BTM

DESCRIPTION: IP65 static rated vandal proof Stainless Steel industrial Trackball with stainless steel trackball module , trackball module protected and shielded by stainless steel housing,High quality durable black titanium electroplated on the top stainless steel plate with rear stainless steel panel mounted.3 trackballs option: IP65 static mechanical trackball with 400DPI, IP68 dynamic optical trackball with 800DPI, IP68 dynamic laser trackball with 1200DPI.

DIMENSIONS: 83.0mm x 110.0mm (front panel)



Product Name			IP Rated TB
PRI-KYB-A83-38-MTB-B TM	400 DPI Mechanical Trackball;	PS/2;USB	IP65 Static
PRI-KYB-A83-38-LTBM- BTM	1200 DPI IP65 Laser Trackball;	PS/2;USB	IP68 Dynamic
PRI-KYB-A83-38-OTBM -BTM	800 DPI IP68 Optical Trackball;	PS/2;USB	IP68 Dynamic
Other language versions/interfaces/configuration available on request			

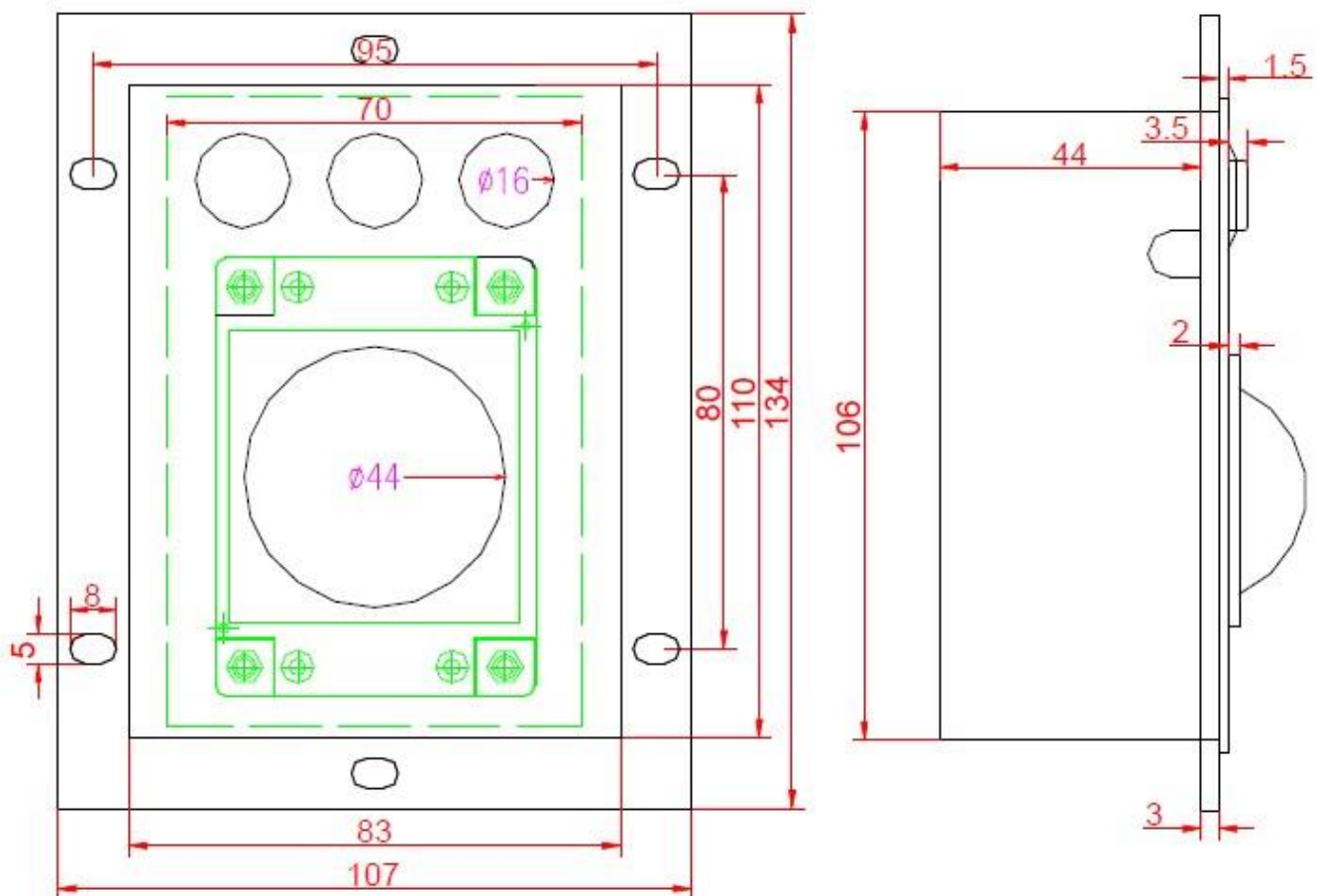


PRI-KYB-B83-38-OTBM

DESCRIPTION: IP65 dynamic rated Vandal proof Stainless Steel Optical Trackball IP68 dynamic rated washable 38.0mm stainless steel optical trackball module with +800 DPI resolutions for fast and accurate fixing cursor position with extreme smooth operation without any noise, optical trackball module protected and shielded by stainless steel housing, rear stainless steel panel mounted.



- Emulates most popular mice - uses existing mouse driver and mouse software Interfaces for most workstations and computers.
- All Metal Mechanical provide for rugged, smooth, long lasting and no noisy operation.
- Laser Encoders provide high resolution more than +800DPI, fast and reliable positioning data.
- Available 38mm diameter Stainless steel for smooth, quick and durable operation and precise cursor positioning.
- Rate Sensitive Dynamic Resolution provides for accelerated movement of the cursor when the ball is moved fast, while retaining one-pixel positioning accuracy when the ball is moved slowly.
- Can be mounted horizontally, and vertically.
- No metal bearings inside, operation is very smooth, and easy without any noise.



TECHNICAL SPECIFICATION:

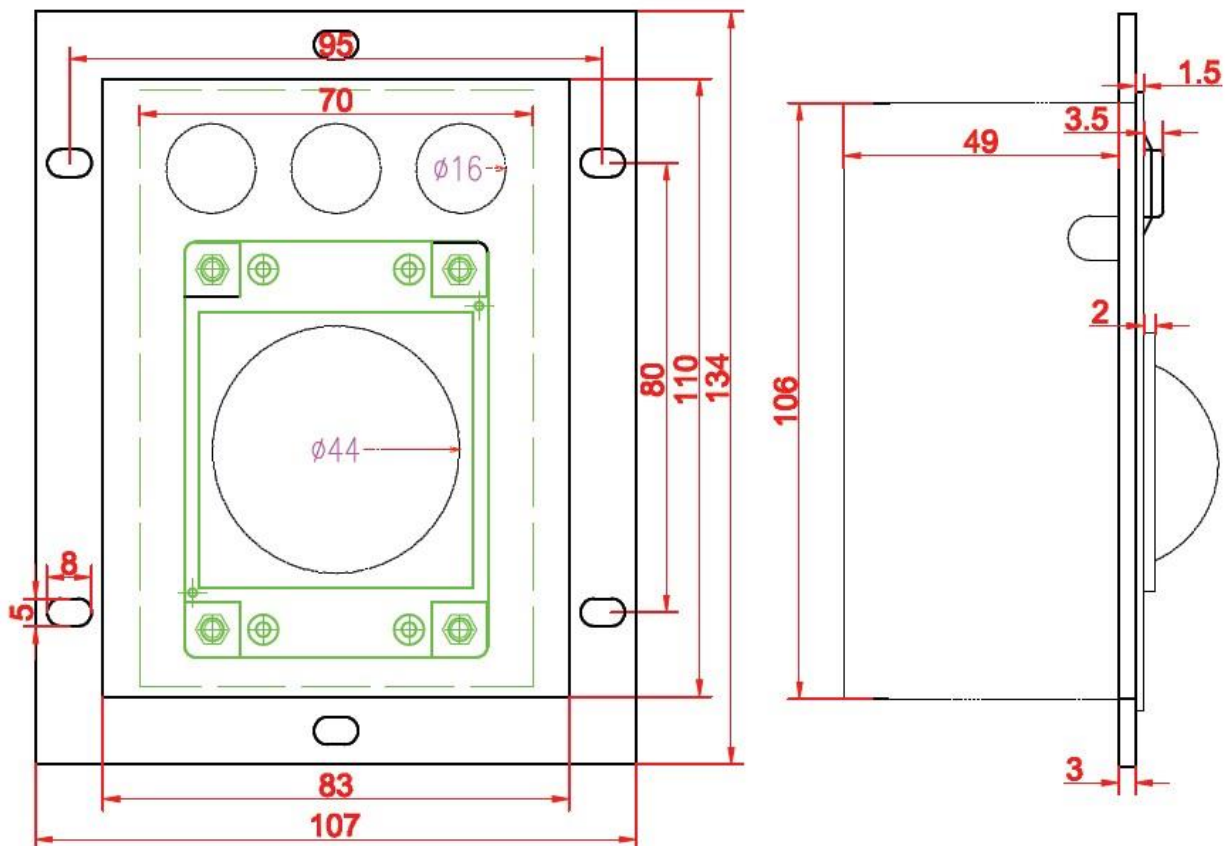
ITEM		SPECIFICATION
Mechanical	Key	2 or 3 keys, quality brushed stainless steel
	Key top style	sealed round stainless steel buttons with tactile feeling
	Front Plate	Quality brushed stainless steel
	Key Travel	1.00 mm
	Ball diameter	38.1mm/1.50" (19mm, 25mm, 36mm 40mm also available)
	Key switch lifespan	more than 10 Mio actuations
	Track ball lifespan	> 10 Mio revolutions
	Back Metal Cover	Rear side integrated electronics protected by a metal cover
	Actuation Force	1.0N to 3.0
	Mounting Rack	top stainless steel plate with mounting screw bolts
	Dimension	Dimensions with 38mm track ball, Front plate (W x H): 107.0mm x 120.0mm
Interface	PS2, USB are available, Y type cable with ports of PS2 and USB	
Electrical	Power supply	5V DC \pm 10%, mouse interface
	Protection level	IP65 dynamic (front panel), NEMA3, IK10
	EMC Standard	EN55022(B)
	Power consuming	\leq 1.00W(dynamic)
		\leq 0.2W(static)
Contact Material	sealed stainless steel buttons	
Environmental	Operating temperature	-20°C~+ 60° C
	Storage temperature	- 30°C~+ 70°C
	Operating RH	30~90%
	Atmospheric pressure	60~106Kpa.
Reliable	Certificates	RoHS compliant, CE and FCC certified, ESD
	MTBF	>50000H
	MTTR	< 30min
OS	OS is under Windows95/98/NT/ME/2000/XP/2003/Vista/Win 7, Linux, Unix, Mac OS9 / OSX	
Packing Details	Each unit to a suitable brown box, suitable brown boxes to a standard export carton.	

PRI-KYB-B83-38-LTBM

DESCRIPTION: IP65 dynamic rated Vandal proof Stainless Steel industrial Trackball with IP68 dynamic rated washable 38.0mm stainless steel laser trackball module with +1200 DPI resolutions for fast and accurate fixing cursor position with extreme smooth operation without any noise, laser trackball module protected and shielded by stainless steel housing, rear stainless steel panel mounted.



- Emulates most popular mice - uses existing mouse driver and mouse software Interfaces for most workstations and computers.
- All Metal Mechanicals provide for rugged, smooth, long lasting and no noisy operation.
- Laser Encoders provide high resolution more than 1200DPI, fast and reliable positioning data.
- Available 38mm diameter Stainless steel for smooth, quick and durable operation and precise cursor positioning.
- Rate Sensitive Dynamic Resolution provides for accelerated movement of the cursor when the ball is moved fast, while retaining one-pixel positioning accuracy when the ball is moved slowly.
- Can be mounted horizontally, and vertically.
- No metal bearings inside, operation is very smooth, and easy without any noise.



TECHNICAL SPECIFICATION:

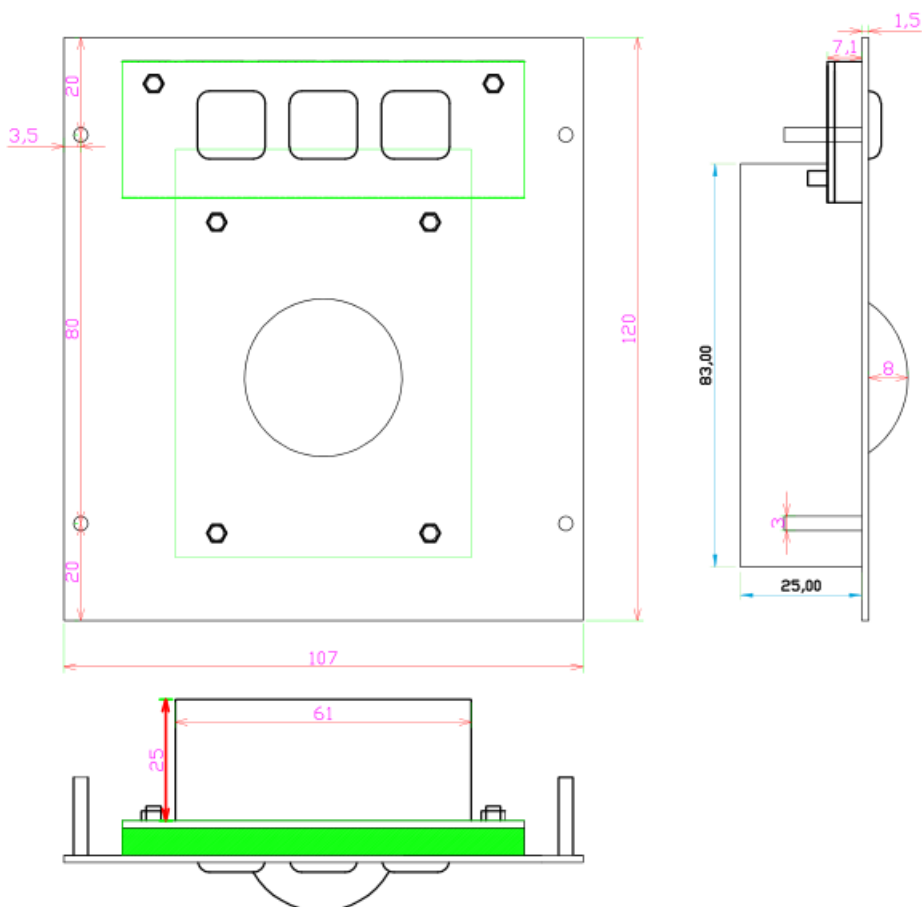
ITEM		SPECIFICATION	
Mechanical	Key	2 or 3 keys, quality brushed stainless steel buttons	
	Key top style	round sealed stainless steel buttons with tactile feeling	
	Front Plate	Quality brushed stainless steel	
	Key Travel	1.00 mm	
	Ball diameter	38.1mm/1.50' (16mm, 19mm, 25mm also available)	
	Key switch lifespan	more than 10 Mio actuations	
	Track ball lifespan	> 10 Mio revolutions	
	Back Metal Cover	Rear side integrated electronics protected by a metal cover	
	Actuation Force	1.0 N to 3.0 N	
	Mounting Rack	Aluminum alloy	
	Dimension	Dimensions with 38.0mm track ball, Front plate (W x H): 83.0 x 110.0mm Overall (W x H x D): 107.0 x 134.0 x 40.7mm	
Interface	PS2, USB are available, Y type cable with ports of PS2 and USB		
Electrical	Power supply	5V DC± 10%, mouse interface	
	Protection level	IP65 dynamic (front panel), NEMA3, IK10	
	EMC Standard	EN55022(B)	
	Power consuming	≤1.0W(dynamic)	
		≤0.2W(static)	
Contact Material	Stainless steel switch		
Environmental	Operating temperature	-20°C--+ 60°C	
	Storage temperature	- 30°C--+ 70°C	
	Operating RH	30-90%	
	Atmospheric pressure	60-106Kpa.	
Reliable	Certificates	RoHS compliant, CE and FCC certified. IP65 front panel, ESD	
	MTBF	>50000H	
	MTTR	< 30min	
OS	OS is under Windows95/98/NT/ME/2000/XP/2003/Vista/Win 7, Linux, Unix, Mac OS9 / OSX		
Packing Details	Each unit to a suitable brown inner box, suitable brown inner boxes to a standard export carton.		

PRI-KYB-A107-38-MTB

DESCRIPTION: IP65 static rated vandal proof Stainless Steel industrial Trackball with IP65 static 38mm stainless steel mechanical trackball module with 400 DPI resolutions, trackball module protected and shielded by stainless steel housing, stainless steel top plate with threaded bolts for top panel mounting solution.



- Emulates most popular mice - uses existing mouse driver and mouse software Interfaces for most workstations and computers.
- All Metal Mechanical provide for rugged, smooth, long lasting operation.
- Available 50mm, 40mm, 38mm, 25mm, 22mm, 19mm and 16mm Diameter Stainless steel or Hard Phenolic Resin Ball for smooth, durable operation and precise cursor positioning.
- Rate Sensitive Dynamic Resolution provides for accelerated movement of the cursor when the ball is moved fast, while retaining one-pixel positioning accuracy when the ball is moved slowly.
- Teflon Ball Shields are available for dirt and water protection in harsh environments.



TECHNICAL SPECIFICATION:

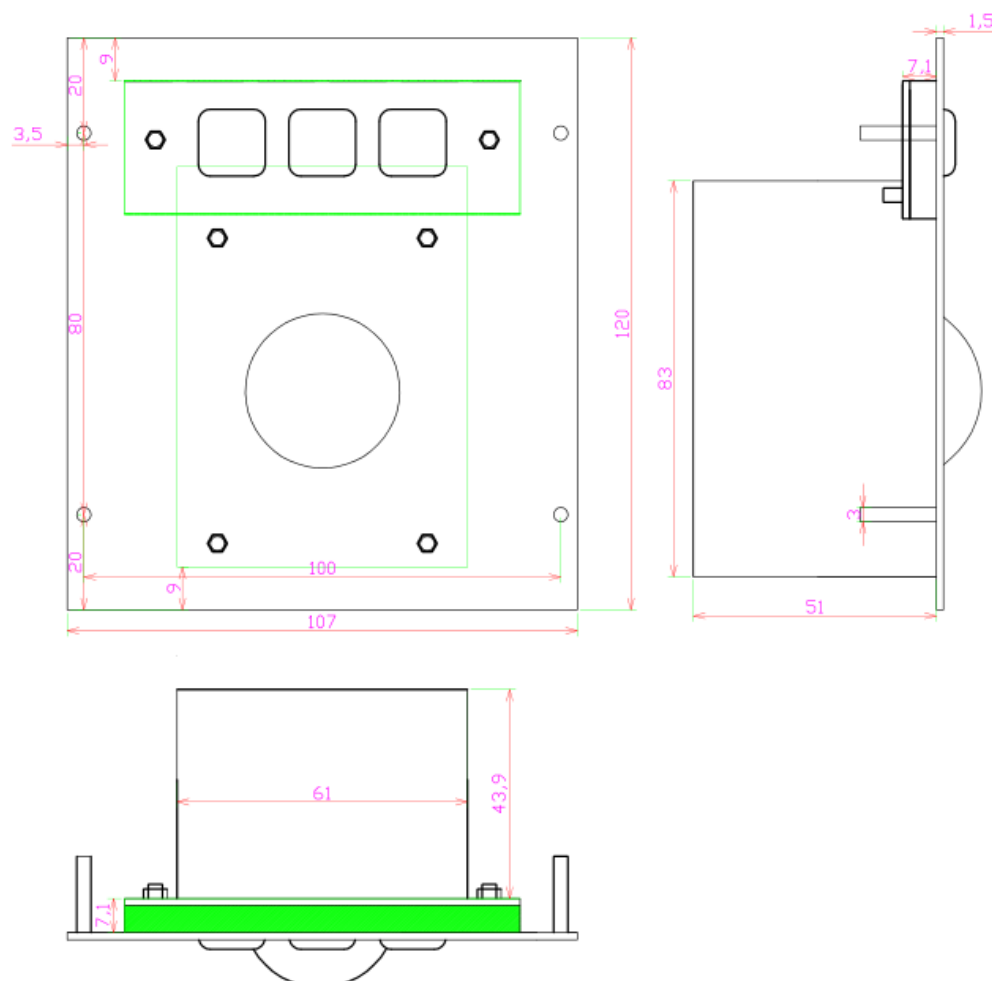
ITEM		SPECIFICATION
Mechanical	Key	3 keys, quality brushed stainless steel
	Key top style	Protuberant Rectangular Keys,
	Front Plate	Quality brushed stainless steel
	Key Travel	2.0mm
	Ball diameter	38.1mm/1.50" (19mm, 25mm, 36mm, 40mm, 50mm also available)
	Key switch lifespan	more than 10 Mio actuations
	Track ball lifespan	> 10 Mio revolutions
	Track ball resolutions	400 DPI
	Back Metal Cover	Rear side integrated electronics protected by a metal cover
	Actuation Force	1.0N to 3.0N
	Mounting Rack	Aluminum alloy
	Dimension	Dimensions with 38mm track ball, Front plate (W x H): 107.0mm x 120.0mm
Interface	PS2, USB are available, Y type cable with ports of PS2 and USB	
Electrical	Power supply	5V DC \pm 10%,
	Protection level	IP65 static (front panel), NEMA3
	EMC Standard	EN55022(B)
	Power consuming	\leq 1.00W(dynamic)
		\leq 0.2W(static)
Contact Material	Gold/Carbon	
Environmental	Operating temperature	-20°C~+ 60° C
	Storage temperature	- 30°C~+ 70°C
	Operating RH	30~90%
	Atmospheric pressure	60~106Kpa.
Reliable	Certificates	RoHS Compliant, CE and FCC,ESD certified.
	MTBF	>50000H
	MTTR	< 30MIN
OS	OS is under Windows95/98/NT/ME/2000/XP/2003/Vista/WIN7, Linux, Unix, Mac OS9 / OSX	
Packing Details	Each unit to a suitable brown box, suitable brown boxes to a standard export carton.	

PRI-KYB-A107-38-LTBM

DESCRIPTION: IP65 dynamic rated Vandal proof Stainless Steel industrial Trackball with IP68 dynamic rated washable 38.0mm stainless steel laser trackball module with +1200 DPI resolutions for fast and accurate fixing cursor position with extreme smooth operation without any noise, laser trackball module protected and shielded by stainless steel housing, stainless steel top plate with threaded bolts for top panel mounting solution.



- Emulates most popular mice - uses existing mouse driver and mouse software Interfaces for most workstations and computers.
- All Metal Mechanicals provide for rugged, smooth, long lasting operation.
- Available 40mm, 38mm, 25mm, 22mm, 19mm and 16mm Diameter Stainless steel or Hard Phenolic Resin Ball for smooth, durable operation and precise cursor positioning.
- Rate Sensitive Dynamic Resolution provides for accelerated movement of the cursor when the ball is moved fast, while retaining one-pixel positioning accuracy when the ball is moved slowly.
- Teflon Ball Shields are available for dirt and water protection in harsh environments.



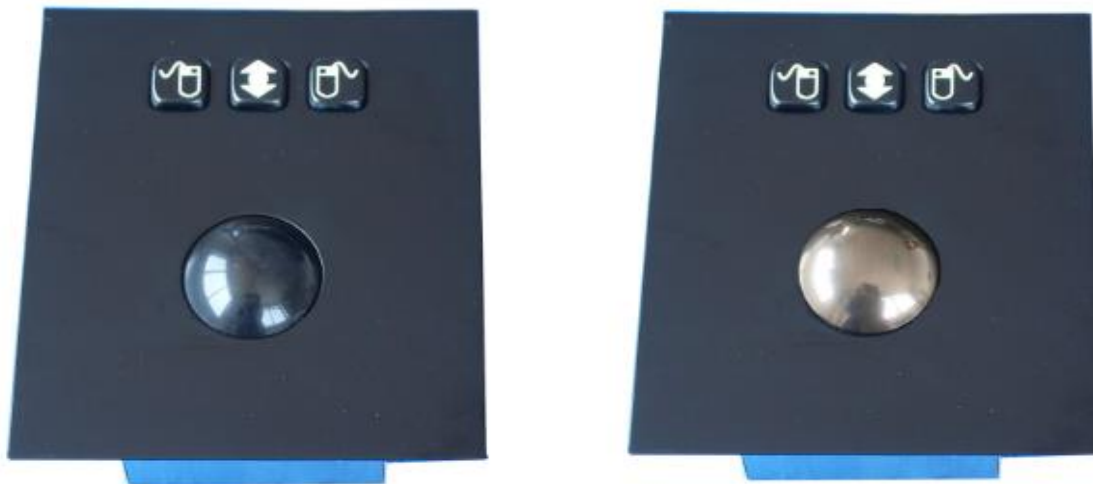
TECHNICAL SPECIFICATION:

ITEM		SPECIFICATION
Mechanical	Key	3 keys, quality brushed stainless steel
	Key top style	Protuberant Rectangular Keys,
	Front Plate	Quality brushed stainless steel
	Key Travel	2.0mm
	Ball diameter	38.1mm/1.50" (19mm, 25mm, 36mm 40mm also available)
	Key switch lifespan	more than 10 Mio actuations
	Track ball lifespan	> 10 Mio revolutions
	Trackball resolutions	1200 DPI
	Back Metal Cover	Rear side integrated electronics protected by a metal cover
	Actuation Force	1.0N to 3.0N
	Mounting Rack	Aluminum alloy
	Dimension	Dimensions with 38mm track ball, Front plate (W x H): 107.0mm x 120.0mm
Interface	PS2, USB are available, Y type cable with ports of PS2 and USB	
Electrical	Power supply	5V DC \pm 10%,
	Protection level	IP65 dynamic (front panel), NEMA3
	EMC Standard	EN55022(B)
	Power consuming	\leq 1.00W(dynamic)
		\leq 0.2W(static)
Contact Material	Gold/Carbon	
Environmental	Operating temperature	-20°C~+ 60° C
	Storage temperature	- 30°C~+ 70°C
	Operating RH	30~90%
	Atmospheric pressure	60~106Kpa.
Reliable	Certificates	RoHS Compliant, CE and FCC,ESD certified.
	MTBF	>50000H
	MTTR	< 30 MIN
OS	OS is under Windows95/98/NT/ME/2000/XP/2003/Vista/WIN7, Linux, Unix, Mac OS9 / OSX	
Packing Details	Each unit to a suitable brown box, suitable brown boxes to a standard export carton.	

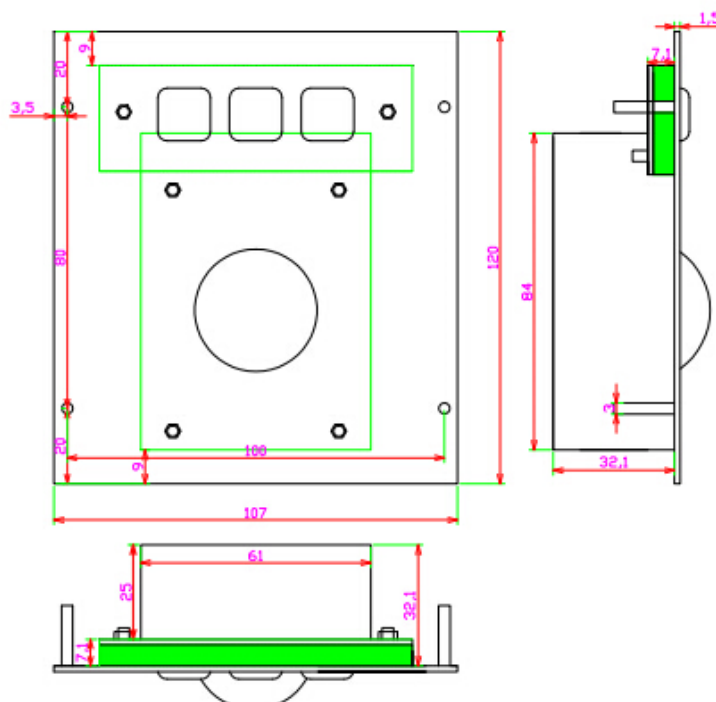
PRI-KYB-A107-38-TBL-BTM

DESCRIPTION: IP65 static rated vandal proof Stainless Steel industrial Trackball with stainless steel trackball module , trackball module protected and shielded by stainless steel housing,High quality durable black titanium electroplated on the top stainless steel plate with top panel mounted.3 trackballs option: IP65 static mechanical trackball with 400DPI, IP68 dynamic optical trackball with 800DPI, IP68 dynamic laser trackball with 1200DPI.

DIMENSIONS: 107.0mm x 120.0mm (front panel)



Product Name			IP Rated TB
PRI-KYB-A107-38-MTB-BTM	400 DPI Mechanical Trackball;	PS/2;USB	IP65 Static
PRI-KYB-A107-38-LTBM-BT M	1200 DPI IP65 Laser Trackball;	PS/2;USB	IP68 Dynamic
PRI-KYB-A107-38-OTBM-BT M	800 DPI IP68 Optical Trackball;	PS/2;USB	IP68 Dynamic
Other language versions/interfaces/configuration available on request			

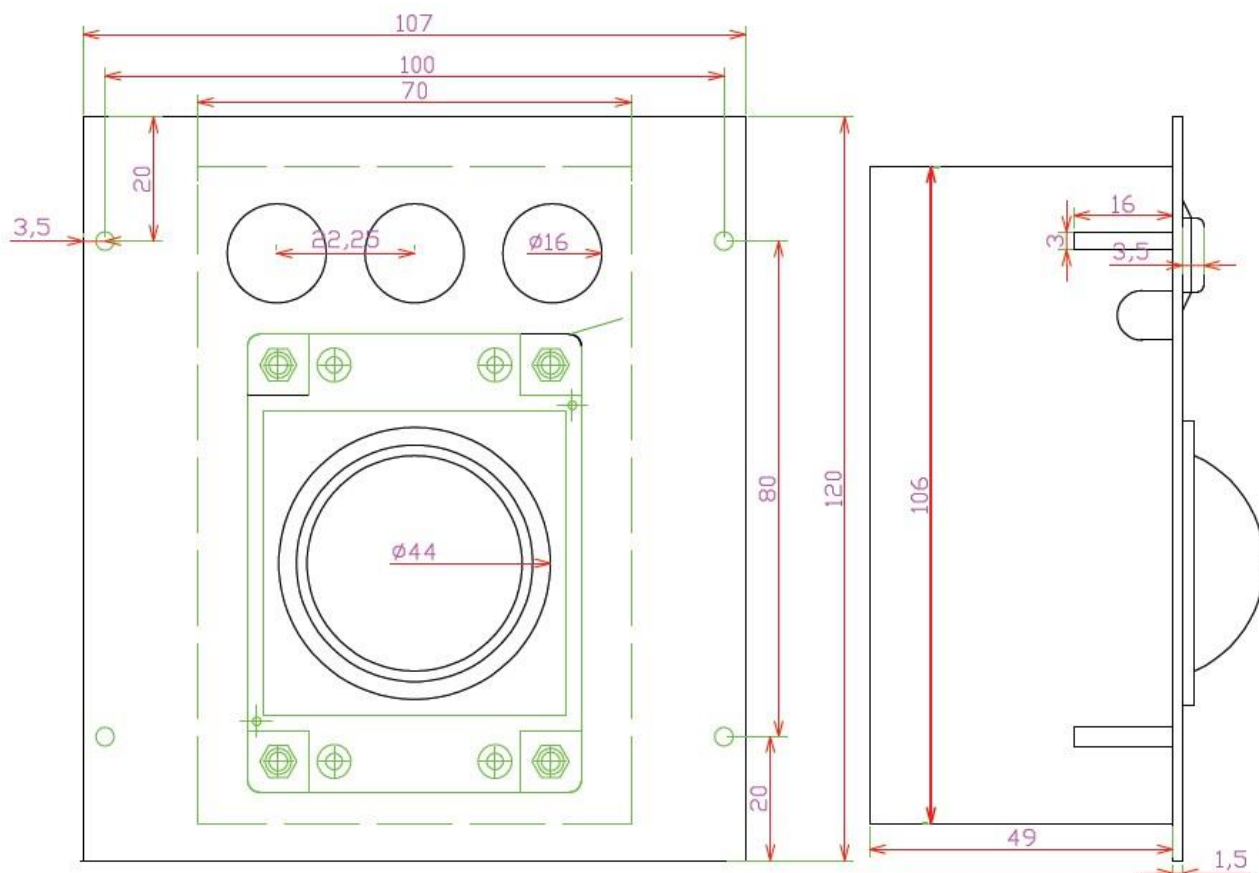


PRI-KYB-B107-38-OTBM

DESCRIPTION: IP65 dynamic rated Vandal proof Stainless Steel Optical Trackball IP68 dynamic rated washable 38.0mm stainless steel optical trackball module with +800 DPI resolutions for fast and accurate fixing cursor position with extreme smooth operation without any noise, optical trackball module protected and shielded by stainless steel housing, stainless steel top plate with threaded bolts for top panel mounting solution.



- Emulates most popular mice - uses existing mouse driver and mouse software Interfaces for most workstations and computers.
- All Metal Mechanicals provide for rugged, smooth, long lasting and no noisy operation.
- Laser Encoders provide high resolution more than +800DPI, fast and reliable positioning data.
- Available 38mm diameter Stainless steel for smooth, quick and durable operation and precise cursor positioning.
- Rate Sensitive Dynamic Resolution provides for accelerated movement of the cursor when the ball is moved fast, while retaining one-pixel positioning accuracy when the ball is moved slowly.
- can be mounted horizontally, and vertically.
- no metal bearings inside, operation is very smooth, and easy without any noise.



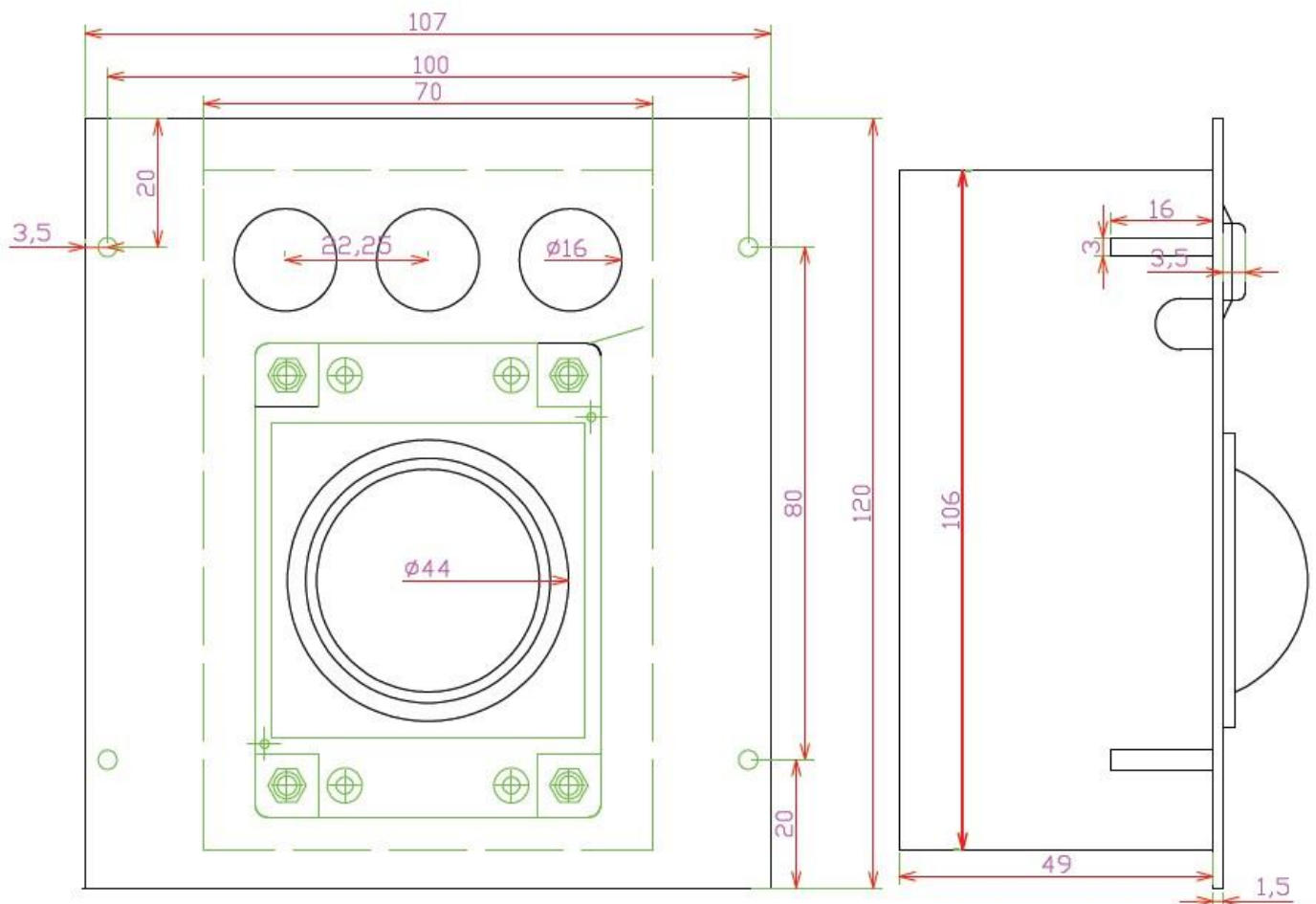
ITEM		SPECIFICATION
Mechanical	Key	3 keys, quality brushed stainless steel
	Key top style	sealed round stainless steel buttons with tactile feeling
	Front Plate	Quality brushed stainless steel
	Key Travel	1.00 mm
	Ball diameter	38.1mm/1.50" (19mm, 25mm, 36mm 40mm also available)
	Key switch lifespan	more than 10 Mio actuations
	Track ball lifespan	> 10 Mio revolutions
	Back Metal Cover	Rear side integrated electronics protected by a metal cover
	Actuation Force	1.0N to 3.0
	Mounting Rack	top stainless steel plate with mounting screw bolts
	Dimension	Dimensions with 38mm track ball, Front plate (W x H): 107.0mm x 120.0mm
Interface	PS2, USB are available, Y type cable with ports of PS2 and USB	
Electrical	Power supply	5V DC± 10%, mouse interface
	Protection level	IP65 dynamic (front panel), NEMA3, IK10
	EMC Standard	EN55022(B)
	Power consuming	≤1.00W(dynamic)
		≤0.2W(static)
Contact Material	sealed stainless steel buttons	
Environmental	Operating temperature	-20°C~+ 60° C
	Storage temperature	- 30°C~+ 70°C
	Operating RH	30~90%
	Atmospheric pressure	60~106Kpa.
Reliable	Certificates	RoHS compliant, CE and FCC certified, ESD
	MTBF	>50000H
	MTTR	< 30min
OS	OS is under Windows95/98/NT/ME/2000/XP/2003/Vista/Win 7, Linux, Unix, Mac OS9 / OSX	

PRI-KYB-B107-38-LTBM

DESCRIPTION: IP65 dynamic rated vandal proof stainless steel laser trackball with IP65 dynamic sealed & ruggedized stainless steel mouse buttons and IP68 dynamic rated washable 38.0mm stainless steel laser trackball module with +1200 DPI resolutions for fast and accurate fixing cursor position with extreme smooth operation without any noise, optical trackball module protected and shielded by stainless steel housing, 3 sealed stainless steel mouse buttons designed for right & left clicking and scrolling up and down with ball rolling, stainless steel top plate with threaded bolts for top panel mounting solution.



- Emulates most popular mice - uses existing mouse driver and mouse software Interfaces for most workstations and computers.
- All Metal Mechanical provide for rugged, smooth, long lasting and no noisy operation.
- Laser Encoders provide high resolution more than 1200DPI, fast and reliable positioning data.
- Available 38mm diameter Stainless steel for smooth, quick and durable operation and precise cursor positioning.
- Rate Sensitive Dynamic Resolution provides for accelerated movement of the cursor when the ball is moved fast, while retaining one-pixel positioning accuracy when the ball is moved slowly.
- can be mounted horizontally, and vertically.
- no metal bearings inside, operation is very smooth, and easy without any noise.



TECHNICAL SPECIFICATION:

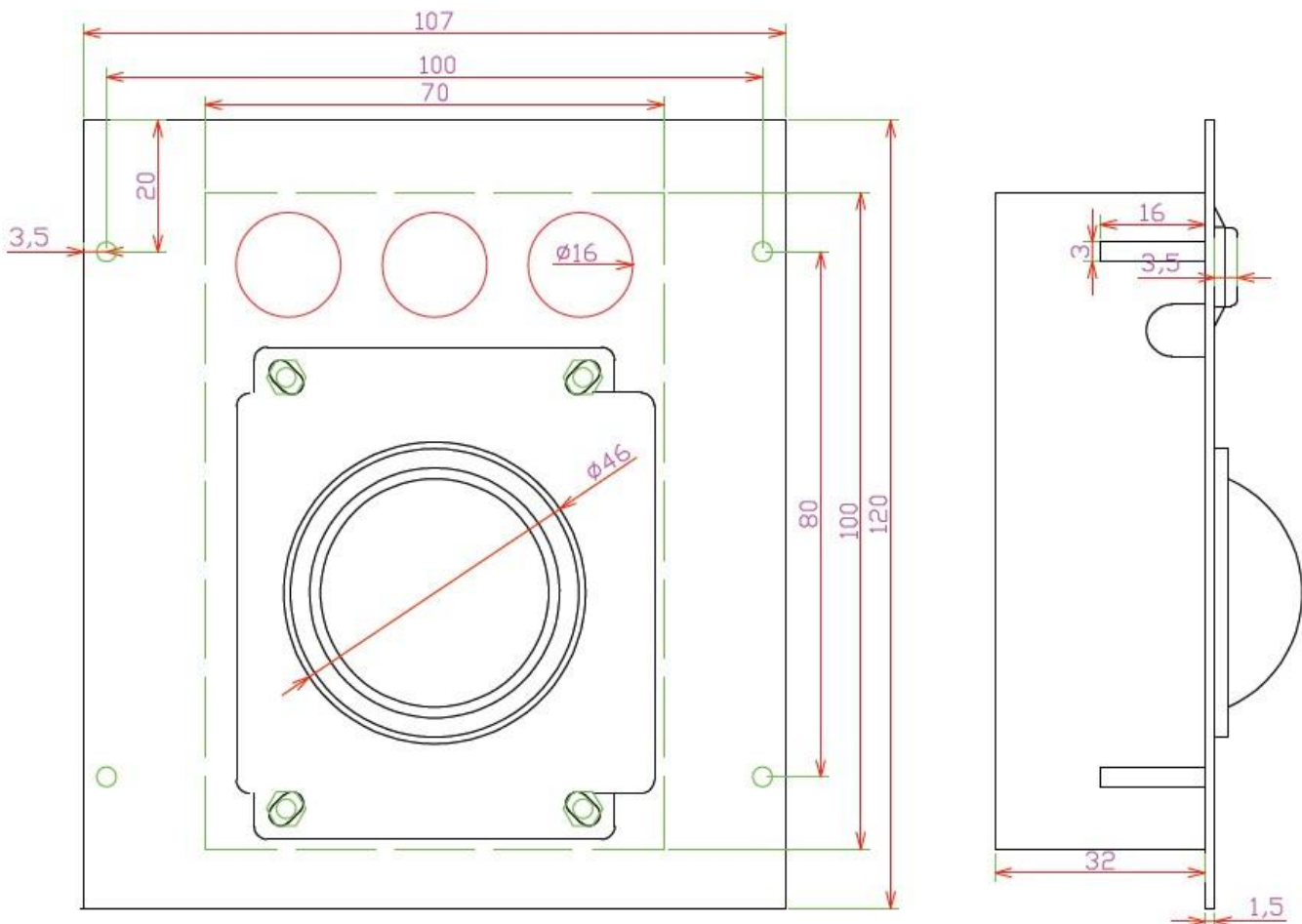
ITEM		SPECIFICATION
Mechanical	Key	3 keys, quality brushed stainless steel
	Key top style	sealed round stainless steel buttons with tactile feeling
	Front Plate	Quality brushed stainless steel
	Key Travel	1.00 mm
	Ball diameter	38.1mm/1.50" (19mm, 25mm, 36mm 40mm also available)
	Key switch lifespan	more than 10 Mio actuations
	Track ball lifespan	> 10 Mio revolutions
	Back Metal Cover	Rear side integrated electronics protected by a metal cover
	Actuation Force	1.0N to 3.0
	Mounting Rack	top stainless steel plate with mounting screw bolts
	Dimension	Dimensions with 38mm track ball, Front plate (W x H): 107.0mm x 120.0mm
Interface	PS2, USB are available, Y type cable with ports of PS2 and USB	
Electrical	Power supply	5V DC± 10%, mouse interface
	Protection level	IP65 dynamic (front panel), NEMA3, IK10
	EMC Standard	EN55022(B)
	Power consuming	≤1.00W(dynamic)
		≤0.2W(static)
Contact Material	sealed stainless steel buttons	
Environmental	Operating temperature	-20°C~+ 60° C
	Storage temperature	- 30°C~+ 70°C
	Operating RH	30~90%
	Atmospheric pressure	60~106Kpa.
Reliable	Certificates	RoHS compliant, CE and FCC certified. ESD
	MTBF	>50000H
	MTTR	< 30min
OS	OS is under Windows95/98/NT/ME/2000/XP/2003/Vista/Win 7, Linux, Unix, Mac OS9 / OSX	
Packing Details	Each unit to a suitable brown box, suitable brown boxes to a standard export carton.	

PRI-KYB-B107F-38-OTBM

DESCRIPTION: IP65 dynamic rated vandal proof stainless steel optical trackball with IP65 dynamic sealed stainless mouse buttons and IP68 dynamic rated fixed washable 38.0mm hardened resin optical trackball module with +800 DPI resolutions for fast and accurate fixing cursor position with extreme smooth operation without any noise, optical trackball module protected and shielded by stainless steel housing, 3 sealed stainless steel mouse buttons designed for right & left clicking and scrolling up and down with ball rolling, stainless steel top plate with threaded bolts for top panel mounting solution.



- IP68 dynamic waterproof (from the top)
- Solid State Optical Navigation Technology
- Fixed Ball Versions
- Maintenance free with no moving parts
- Intrinsically and ESD safe operation
- Retro-fittable into most existing OEM designs
- Quadrature, PS/2 and USB outputs
- Anti-vandal options
- Output cables and switch input cables (option)
- Decontamination Friendly



TECHNICAL SPECIFICATION:

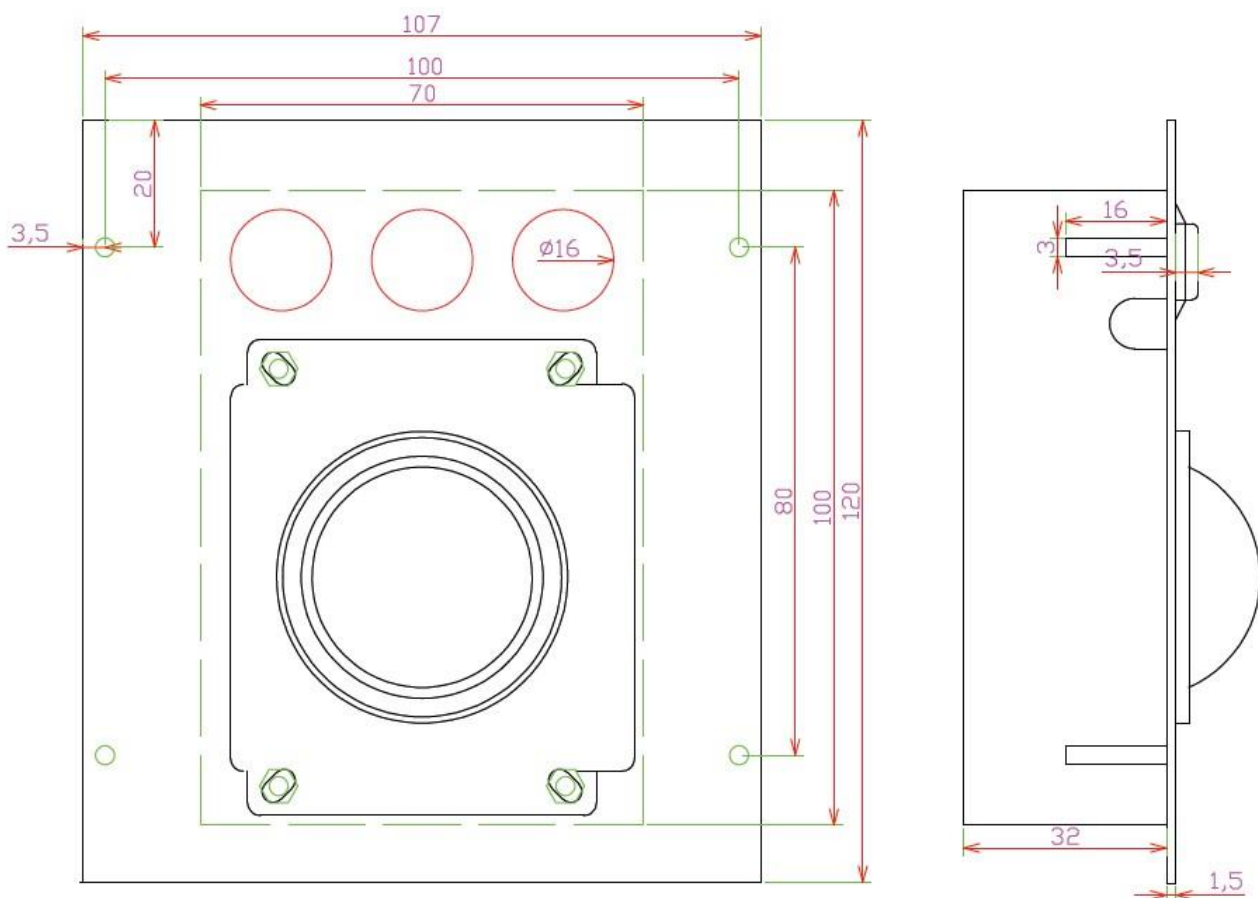
ITEM		SPECIFICATION
Mechanical	Key	3 sealed stainless steel buttons, quality brushed stainless steel
	Key top style	Protuberant Round Keys,
	Front Plate	Quality brushed stainless steel
	Key Travel	2.0mm
	Ball	Epoxy Resin, or stainless steel 38mm/1.50'
	Key switch lifespan	more than 10 Mio actuations
	Track ball lifespan	> 10 Mio revolutions
	Track ball resolutions	800 DPI
	Back Metal Cover	Rear side integrated electronics protected by a metal cover
	Tracking Force	20 grams Nominal Continuous Friction / Scraper Ring
	Dimension	Dimensions with 38mm track ball, Front plate (W x H): 107.0mm x 120.0mm
Interface	PS2, USB are available, Y type cable with ports of PS2 and USB	
Electrical	Power supply	5V DC \pm 10%
	Protection level	IP65 dynamic (front panel), NEMA3
	EMC Standard	EN55022(B)
	Power consuming	\leq 1.00W(dynamic)
		\leq 0.2W(static)
Contact Material	Gold/Gold	
Environmental	Operating temperature	-20°C~+ 60° C
	Storage temperature	- 30°C~+ 70°C
	Operating RH	30~90%
	Atmospheric pressure	60~106Kpa.
Reliable	Certificates	RoHS Compliant, CE and FCC,ESD certified.
	MTBF	>50000H
	MTTR	< 30 MIN
OS	OS is under Windows95/98/NT/ME/2000/XP/2003/Vista/WIN7, Linux, Unix, Mac OS9 / OSX	
Packing Details	Each unit to a suitable brown box, suitable brown boxes to a standard export carton.	

PRI-KYB-B107R-38-OTBM

DESCRIPTION: IP65 dynamic rated vandal proof stainless steel optical trackball with IP68 dynamic rated washable 38.0mm hardened resin optical trackball module with +800 DPI resolutions for fast and accurate fixing cursor position with extreme smooth operation without any noise, with 3 IP65 dynamic sealed and ruggedized stainless mouse buttons above trackball designed for right & left clicking and scrolling up and down with ball rolling, top metal ring can be movable for easy cleaning from top panel, stainless steel top plate with threaded bolts for top panel mounting solution.



- IP68 dynamic waterproof (from the top)
- Solid State Optical Navigation Technology
- Ball tracking force can be set from loose (10 grams) to high (120 grams) in 4 steps; ball can be removed.
- Maintenance free with no moving parts
- Intrinsically and ESD safe operation
- Retro-fittable into most existing OEM designs
- Quadrature, PS/2 and USB outputs
- Anti-vandal options
- Output cables and switch input cables (option)
- Decontamination Friendly



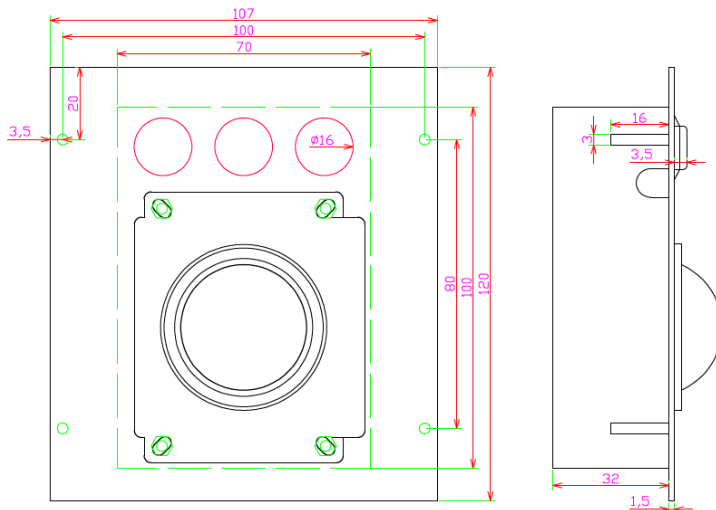
TECHNICAL SPECIFICATION:

ITEM		SPECIFICATION
Mechanical	Key	3 sealed stainless steel buttons, quality brushed stainless steel
	Key top style	Protuberant Rectangular Keys,
	Front Plate	Quality brushed stainless steel
	Key Travel	2.0mm
	Ball	Epoxy Resin or stainless steel 38mm/1.50'
	Key switch lifespan	more than 10 Mio actuations
	Track ball lifespan	> 10 Mio revolutions
	Track ball resolutions	800 DPI
	Back Metal Cover	Rear side integrated electronics protected by a metal cover
	Tracking Force	5 - 200 grams Nominal Continuous Variable Friction Ring/Removable Ball
	Dimension	Dimensions with 38mm track ball, Front plate (W x H): 107.0mm x 120.0mm
Interface	PS2, USB are available, Y type cable with ports of PS2 and USB	
Electrical	Power supply	5V DC \pm 10%,
	Protection level	IP65 dynamic (front panel), NEMA3
	EMC Standard	EN55022(B)
	Power consuming	\leq 1.00W(dynamic)
		\leq 0.2W(static)
Contact Material	Gold/Gold	
Environmental	Operating temperature	-20°C~+ 60° C
	Storage temperature	- 30°C~+ 70°C
	Operating RH	30~90%
	Atmospheric pressure	60~106Kpa.
Reliable	Certificates	RoHS Compliant, CE and FCC,ESD certified.
	MTBF	>50000H
	MTTR	< 30 MIN
OS	OS is under Windows95/98/NT/ME/2000/XP/2003/Vista/WIN7, Linux, Unix, Mac OS9 / OSX	
Packing Details	Each unit to a suitable brown box, suitable brown boxes to a standard export carton.	

PRI-KYB-B107R-38-OTBM-BTM

Description: IP65 dynamic rated vandal proof stainless steel optical trackball with IP68 dynamic rated washable 38.0mm hardened resin optical trackball module with +800 DPI resolutions for fast and accurate fixing cursor position with extreme smooth operation without any noise, with 3 IP65 dynamic sealed and ruggedized stainless mouse buttons above trackball designed for right & left clicking and scrolling up and down with ball rolling, top metal ring can be movable for easy cleaning from top panel, stainless steel top plate with durable and scratch-proof black titanium electroplated, with welded threaded bolts for top panel mounting solution.

Dimension: 107.0mm x 120.0mm (front panel)



MAIN FEATURES:

- IP68 dynamic waterproof (from the top)
- Solid State Optical Navigation Technology
- Removable Ball Versions
- Maintenance free with no moving parts
- Intrinsically and ESD safe operation
- Quadrature, PS/2 and USB outputs
- Anti-vandal options
- Output cables and switch input cables (option)
- Decontamination Friendly

TECHNICAL SPECIFICATION:

ITEM		SPECIFICATION
Mechanical	Key	3 keys, sealed stainless steel buttons
	Key top style	sealed round stainless steel buttons with tactile feeling
	Front Plate	Quality brushed SUS304 stainless steel
	Key Travel	0.45mm
	Ball	Epoxy Resin with special surface treatment, 38mm/1.50'
	Key switch lifespan	more than 10 Mio actuations
	Track ball lifespan	> 5 Mio revolutions
	Back Metal Cover	Rear side integrated electronics protected by a metal cover
	Tracking Force	20 grams Nominal Continuous Friction / Scraper Ring
	Dimension	Dimensions with 38mm track ball, Front plate (W x H): 107.0mm x 120.0mm
Interface	PS2, USB are available, Y type cable with ports of PS2 and USB	
Electrical	Power supply	5V DC \pm 10%, keyboard interface
	Protection level	IP68 (front panel), NEMA3
	EMC Standard	EN55022(B)
	Power consuming	\leq 1.00W(dynamic)
		\leq 0.2W(static)
Contact Material	sealed stainless steel buttons	
Environmental	Operating temperature	-20°C~+ 60° C
	Storage temperature	- 30°C~+ 70°C
	Operating RH	30~90%
	Atmospheric pressure	60~106Kpa.
Reliable	Certificates	RoHS compliant, CE and FCC certified. ESD
	MTBF	>50000H
	MTTR	< 30min

OS OS is under All windows, Linux, Unix, Mac OS9 / OSX

Packing Details Each unit to a suitable brown box, suitable brown boxes to a standard export carton.

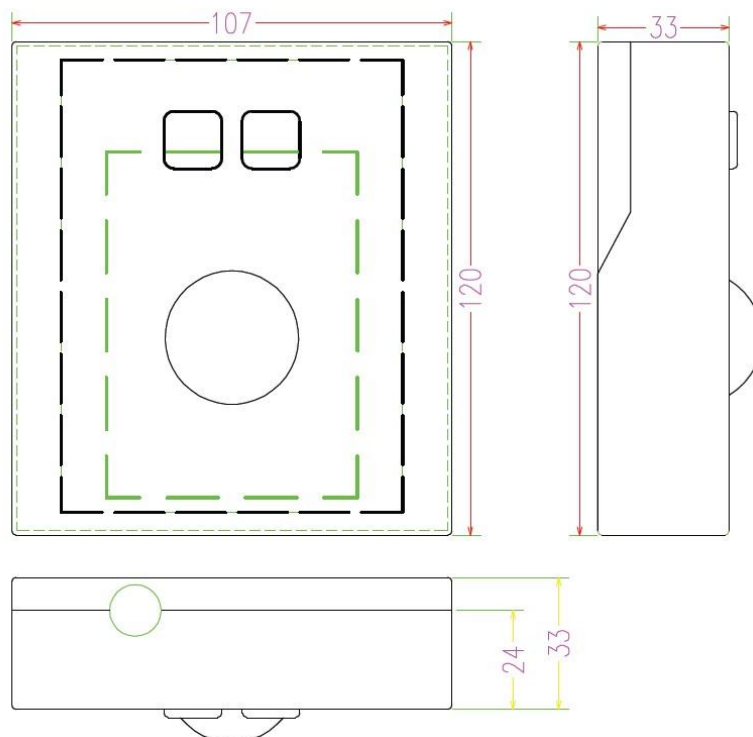
PRI-KYB-A107-38-TBL-MDT

DESCRIPTION: IP65 static rated vandal proof Stainless Steel industrial Trackball with IP65 static 38mm stainless steel trackball module , trackball module protected and shielded by stainless steel housing, with movable stand alone desk top version or mountable stand alone desk top versions with stainless steel housing. 3 trackball optional as below listed table.



- Emulates most popular mice - uses existing mouse driver and mouse software Interfaces for most workstations and computers.
- All Metal Mechanicals provide for rugged, smooth, long lasting operation.
- Available 50mm,40mm, 38mm, 25mm, 22mm, 19mm and 16mm Diameter Stainless steel or Hard Phenolic Resin Ball for smooth, durable operation and precise cursor positioning.
- Rate Sensitive Dynamic Resolution provides for accelerated movement of the cursor when the ball is moved fast, while retaining one-pixel positioning accuracy when the ball is moved slowly.
- Teflon Ball Shields are available for dirt and water protection in harsh environments.

Product Name			IP Rate
PRI-KYB-A107-38-MTB-MDT	Trackball; Mechanical trackball with 400 DPI; Desktop version	PS/2; USB	IP65 Dynamic
PRI-KYB-A107-38-OTBM-MDT	Trackball; Optical trackball with 800 DPI; Desktop version	PS/2; USB	IP68 Dynamic
PRI-KYB-A107-38-LTBM-MDT	Trackball; Laser trackball with 1200 DPI; Desktop version	PS/2; USB	IP68 Dynamic
Other language versions/interfaces/configuration available on request			



TECHNICAL SPECIFICATION:

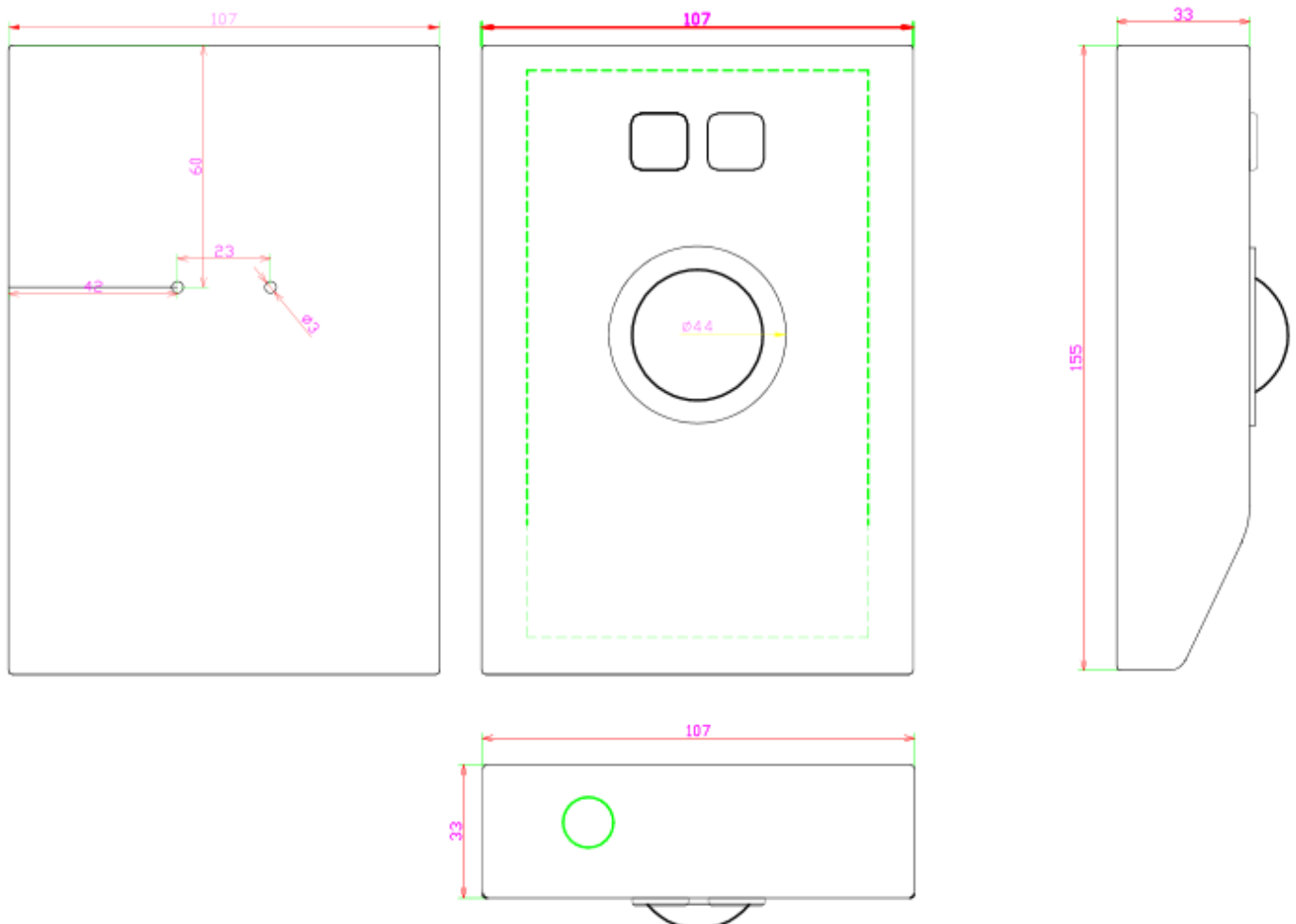
ITEM	SPECIFICATION	
Mechanical	Key	2 keys, quality brushed stainless steel
	Key top style	Protuberant Rectangular Keys,
	Front Plate	Quality brushed stainless steel
	Key Travel	2.0mm
	Ball diameter	38.1mm/1.50" (19mm, 25mm, 36mm, 40mm also available)
	Key switch lifespan	more than 10 Mio actuations
	Track ball lifespan	> 10 Mio revolutions
	Track ball resolutions	400 DPI
	Back Metal Cover	Rear side integrated electronics protected by a metal cover
	Actuation Force	1.0N to 2.0N
	Mounting Rack	Aluminum alloy
	Dimension	38mm track ball, 107.0mm x 120.0mm x 32.0mm (L x W x H)
Interface	PS2, USB are available, Y type cable with ports of PS2 and USB	
Electrical	Power supply	5V DC \pm 10%,
	Protection level	IP65 static (front panel), NEMA3
	EMC Standard	EN55022(B)
	Power consuming	\leq 1.00W(dynamic)
		\leq 0.2W(static)
Contact Material	Gold/Carbon	
Environmental	Operating temperature	-20°C~+ 60° C
	Storage temperature	- 30°C~+ 70°C
	Operating RH	30~90%
	Atmospheric pressure	60~106Kpa.
Reliable	Certificates	RoHS Compliant, CE and FCC,ESD certified.
	MTBF	>20000H
	MTTR	< 30MIN
OS	OS is under Windows95/98/NT/ME/2000/XP/2003/Vista/WIN7, Linux, Unix, Mac OS9 / OSX	
Packing Details	Each unit to a suitable brown box, suitable brown boxes to a standard export carton.	

PRI-KYB-A107-38-MTB-IDT

Description: IP65 static rated vandal proof Stainless Steel Stand alone inclined desk top trackball with IP65 static 38mm stainless steel mechanical trackball module with 400 DPI resolutions, trackball module protected and shielded by stainless steel housing, with movable stand alone inclined desk top version or mountable stand alone inclined desk top versions with stainless steel housing.



- Emulates most popular mice - uses existing mouse driver and mouse software Interfaces for most workstations and computers.
- All Metal Mechanicals provide for rugged, smooth, long lasting operation.
- Available 50mm,40mm, 38mm, 25mm, 22mm, 19mm and 16mm Diameter Stainless steel or Hard Phenolic Resin Ball for smooth, durable operation and precise cursor positioning.
- Rate Sensitive Dynamic Resolution provides for accelerated movement of the cursor when the ball is moved fast, while retaining one-pixel positioning accuracy when the ball is moved slowly.
- Teflon Ball Shields are available for dirt and water protection in harsh environments.



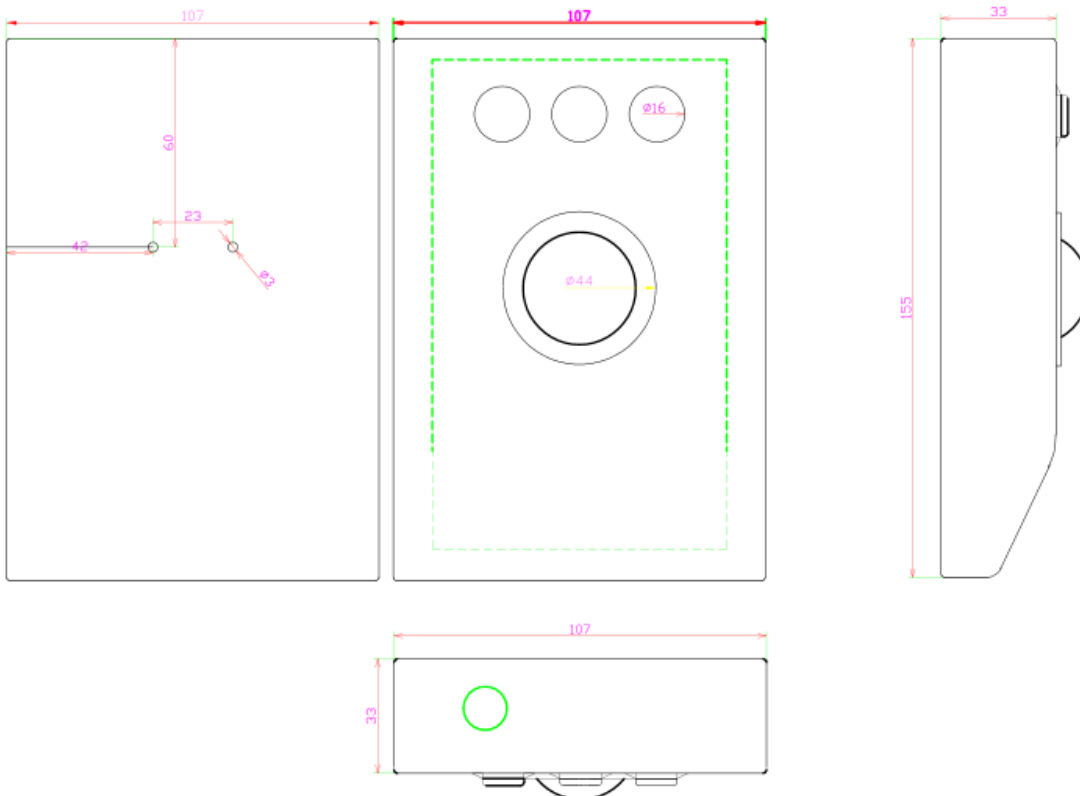
ITEM	SPECIFICATION	
Mechanical	Key	2 keys, quality brushed stainless steel
	Key top style	Protuberant Rectangular Keys,
	Front Plate	Quality brushed stainless steel
	Key Travel	2.0mm
	Ball diameter	38.1mm/1.50" (19mm, 25mm, 36mm, 40mm also available)
	Key switch lifespan	more than 10 Mio actuations
	Track ball lifespan	> 10 Mio revolutions
	Track ball resolutions	400 DPI
	Back Metal Cover	Rear side integrated electronics protected by a metal cover
	Actuation Force	1.0N to 2.0N
	Mounting Rack	Aluminum alloy
	Dimension	38mm track ball, 107.0mm x 155.0mm x 30mm (L x W x H)
Interface	PS2, USB are available, Y type cable with ports of PS2 and USB	
Electrical	Power supply	5V DC \pm 10%,
	Protection level	IP65 static (front panel), NEMA3
	EMC Standard	EN55022(B)
	Power consuming	\leq 1.00W(dynamic)
		\leq 0.2W(static)
Contact Material	Gold/Carbon	
Environmental	Operating temperature	-20°C~+ 60° C
	Storage temperature	- 30°C~+ 70°C
	Operating RH	30~90%
	Atmospheric pressure	60~106Kpa.
Reliable	Certificates	RoHS Compliant, CE and FCC,ESD certified.
	MTBF	>20000H
	MTTR	< 30MIN
OS	OS is under Windows95/98/NT/ME/2000/XP/2003/Vista/WIN7, Linux, Unix, Mac OS9 / OSX	
Packing Details	Each unit to a suitable brown box, suitable brown boxes to a standard export carton.	

PRI-KYB-B107-38-OTBM-IDT

Description: IP65 dynamic rated vandal proof stainless steel movable stand alone inclined desk top optical trackball with IP65 dynamic sealed stainless mouse buttons and IP68 dynamic rated washable 38.0mm stainless steel optical trackball module with +800 DPI resolutions for fast and accurate fixing cursor position with extreme smooth operation without any noise, 3 sealed stainless steel mouse buttons designed for right & left clicking and scrolling up and down with ball rolling. Stand alone inclined desk top version.



- Emulates most popular mice - uses existing mouse driver and mouse software Interfaces for most workstations and computers.
- All Metal Mechanicals provide for rugged, smooth, long lasting operation.
- Available 50mm,40mm, 38mm, 25mm, 22mm, 19mm and 16mm Diameter Stainless steel or Hard Phenolic Resin Ball for smooth, durable operation and precise cursor positioning.
- Rate Sensitive Dynamic Resolution provides for accelerated movement of the cursor when the ball is moved fast, while retaining one-pixel positioning accuracy when the ball is moved slowly.
- Teflon Ball Shields are available for dirt and water protection in harsh environments.

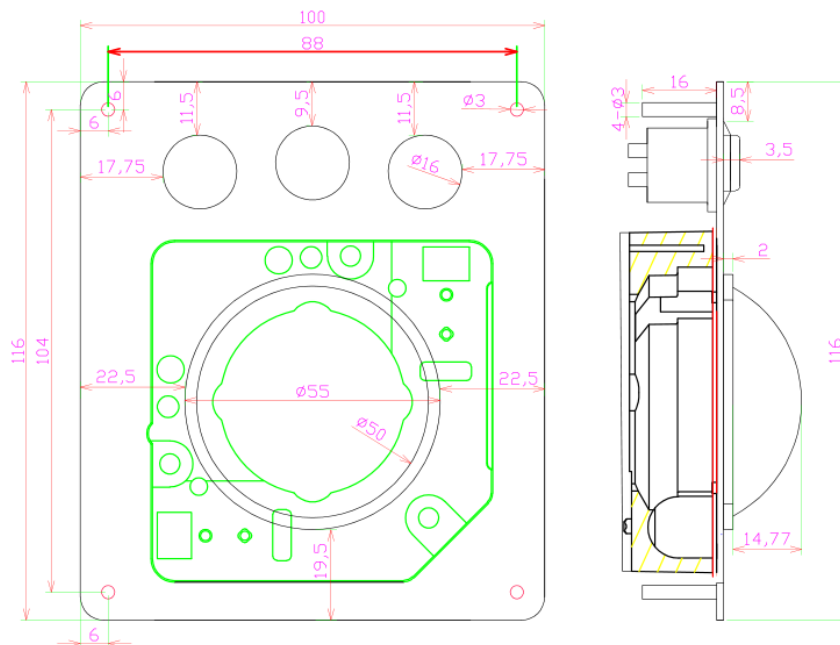


ITEM	SPECIFICATION	
Mechanical	Key	3 keys, quality brushed stainless steel
	Key top style	Protuberant Rectangular Keys,
	Front Plate	Quality brushed stainless steel
	Key Travel	1.0mm
	Ball diameter	38.1mm/1.50" (19mm, 25mm, 36mm, 40mm also available)
	Key switch lifespan	more than 10 Mio actuations
	Track ball lifespan	> 10 Mio revolutions
	Track ball resolutions	800 DPI
	Back Metal Cover	Rear side integrated electronics protected by a metal cover
	Actuation Force	1.0N to 2.0N
	Mounting Rack	Aluminum alloy
	Dimension	38mm track ball, 107.0mm x 155.0mm x 30mm (L x W x H)
Interface	PS2, USB are available, Y type cable with ports of PS2 and USB	
Electrical	Power supply	5V DC \pm 10%,
	Protection level	IP65 static (front panel), NEMA3
	EMC Standard	EN55022(B)
	Power consuming	\leq 1.00W(dynamic)
		\leq 0.2W(static)
Contact Material	Gold/Carbon	
Environmental	Operating temperature	-20°C~+ 60° C
	Storage temperature	- 30°C~+ 70°C
	Operating RH	30~90%
	Atmospheric pressure	60~106Kpa.
Reliable	Certificates	RoHS Compliant, CE and FCC,ESD certified.
	MTBF	>20000H
	MTTR	< 30MIN
OS	OS is under Windows95/98/NT/ME/2000/XP/2003/Vista/WIN7, Linux, Unix, Mac OS9 / OSX	
Packing Details	Each unit to a suitable brown box, suitable brown boxes to a standard export carton.	

PRI-KYB-B100-50-MTB

DESCRIPTION: IP65 Vandal proof metal Trackball with IP65 rated mechanical trackball module with 50mm black hardened resin ball, with adjustable resolutions functionalities from low to higher to meet different application requirements, with sealed 3 black metal mouse buttons, 3.0mm top aluminum anodized black and threaded bolts for top panel mounting solution. Industrial USB interface. Each trackball to one inner box. Military level.

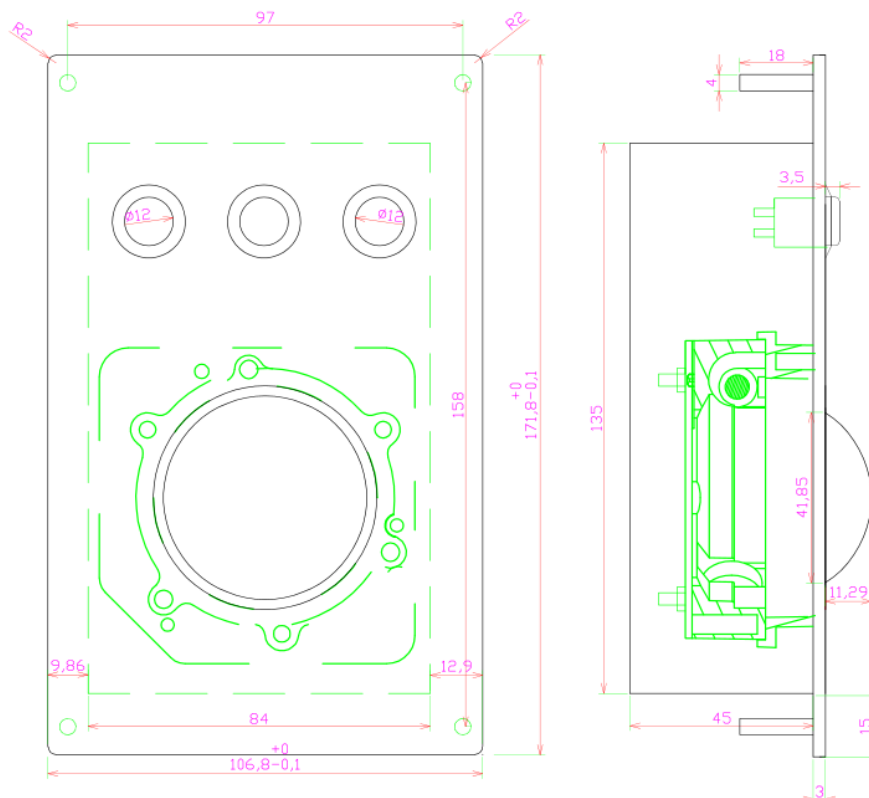
DIMENSIONS: 100 x 116 x 40 mm (L x W x H)



PRI-KYB-B111-50-MTB-BTM

DESCRIPTION: IP65 Vandal proof metal Trackball with IP65 rated mechanical trackball module with 50mm black hardened resin ball, with adjustable resolutions functionalities from low to higher to meet different application requirements, with sealed 3 black metal mouse buttons, 3.0mm top aluminum anodized black and threaded bolts for top panel mounting solution. Industrial USB interface. Each trackball to one inner box.

DIMENSIONS: 111.0mm x 171.60 mm

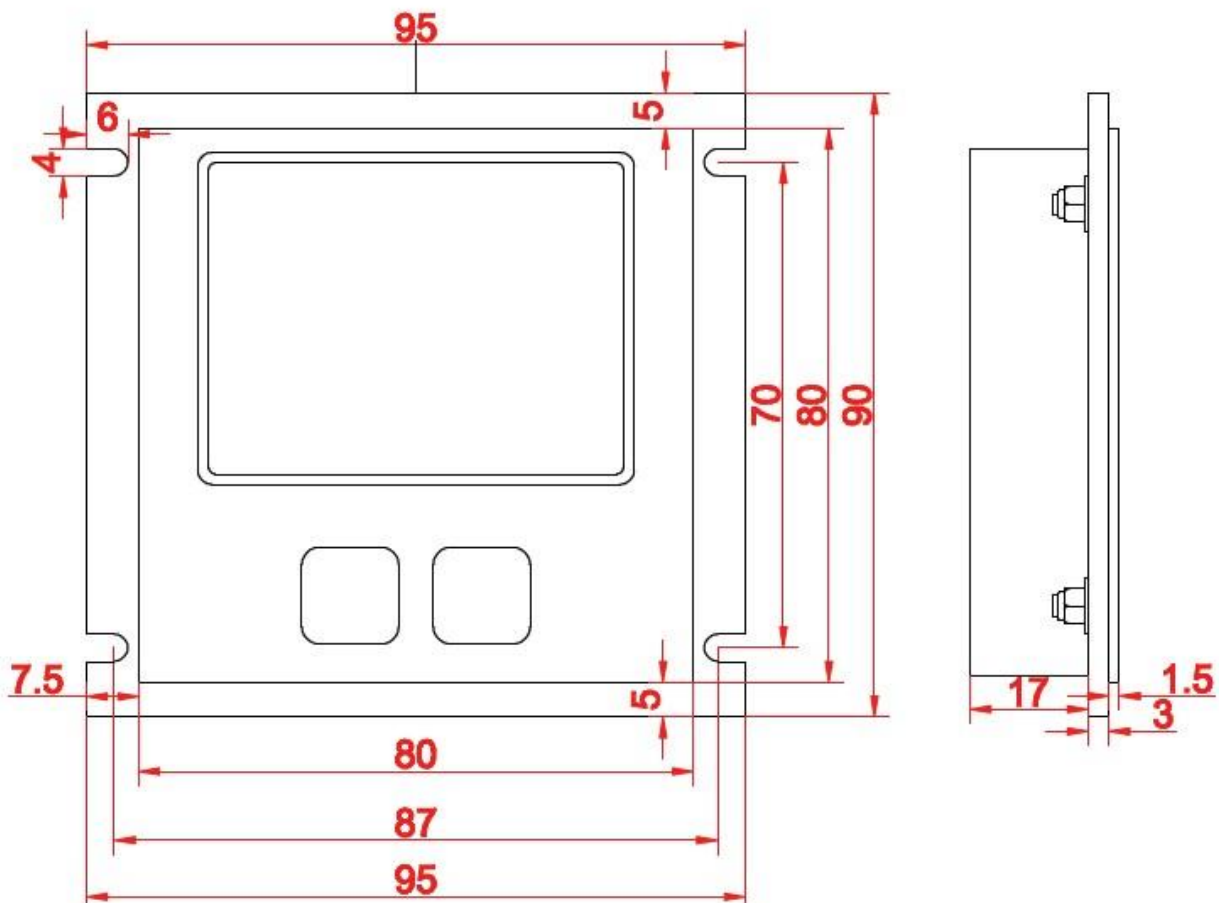


PRI-KYB-B80TP

DESCRIPTION: IP65 dynamic Sealed and Ruggedized Tough Touchpad, 2 sealed stainless steel metal dome mouse buttons under touchpad, with stainless steel housing protects the electronics module, with rear panel mounting.



- The small and compact size for easy mounting, the light weight for easy moving.
- Smooth, durable operation and precise cursor positioning.
- Rate Sensitive Dynamic Resolution provides for accelerated movement of the cursor when the fingers move fast, while retaining one-pixel positioning accuracy when the fingers move slowly.

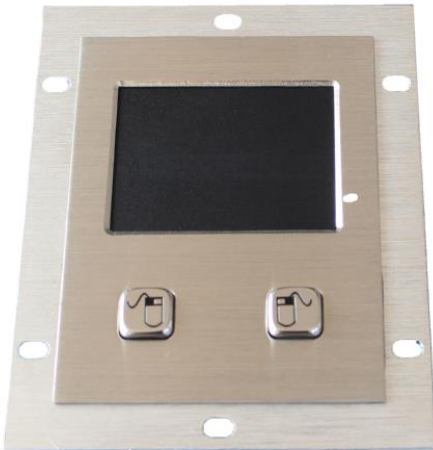


TECHNICAL SPECIFICATION

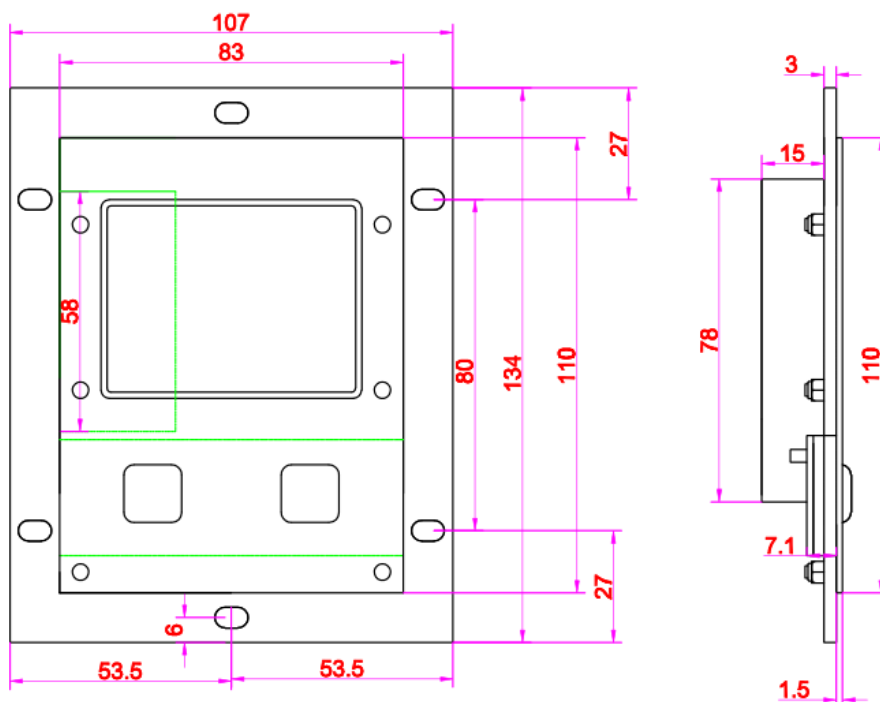
ITEM		SPECIFICATION
Mechanical	Front Plate	Quality brushed stainless steel
	Touchpad thickness	1.3 mm PCB thickness inclusive of mylar layer
	Validated touch width	46.50mm (max)
	Validated touch length	62.50mm (max)
	Mounting Rack	Aluminum alloy
	Back Metal Cover	Rear side integrated electronics protected by a metal cover
	Touchpad lifespan	> 10 Mio times
	Dimensions	Touchpad: 65.0mm x 49.0mm; Front Panel: 80.0mm x 80.0mm, Rear Mounting Panel: 95.0mm x 90.0mm
Interface	PS2 and USB both available	
Electrical	Power supply	5V DC \pm 10%,
	Work current	4.0 mA (normal)
	X/Y position sensing resolution:	1000 points/inch (40 points/mm)
	X/Y position reporting:	Relative
	Tracking speed:	Maximum 1,016 m/sec
	Protection level:	IP65 dynamic (front panel)
	Static Release:	15 KV (front panel)
	EMC Standard:	EN55022(B)
Environmental	Operating temperature:	-20°C to +60°C
	Storage temperature:	- 40°C to + 70°C
	Operating RH:	10%-95%
	Atmospheric pressure:	60-106Kpa
Reliability	MTBF	>50000H
	MTTR	< 30 MIN
	Touchpad Lifespan	>10 million actuations
OS	OS is under Windows95/98/NT/ME/2000/XP/2003/Vista/WIN7, Linux, Unix, Mac OS9 / OSX	
Packing Details	Each unit to a suitable brown inner box, suitable brown inner boxes to a standard export carton.	

PRI-KYB-A83TP

DESCRIPTION: IP65 dynamic Sealed and Ruggedized Tough Touchpad for fast and accurate cursor position, with 2 raised stainless steel mouse buttons under touchpad, the electronics controller module shielded and protected with stainless steel housing, with mounting holes along the rear panel mounting aluminium plate for rear panel mounting.



- The small and compact size for easy mounting, the light weight for easy moving.
- Smooth, durable operation and precise cursor positioning.
- Rate Sensitive Dynamic Resolution provides for accelerated movement of the cursor when the fingers move fast, while retaining one-pixel positioning accuracy when the fingers move slowly.



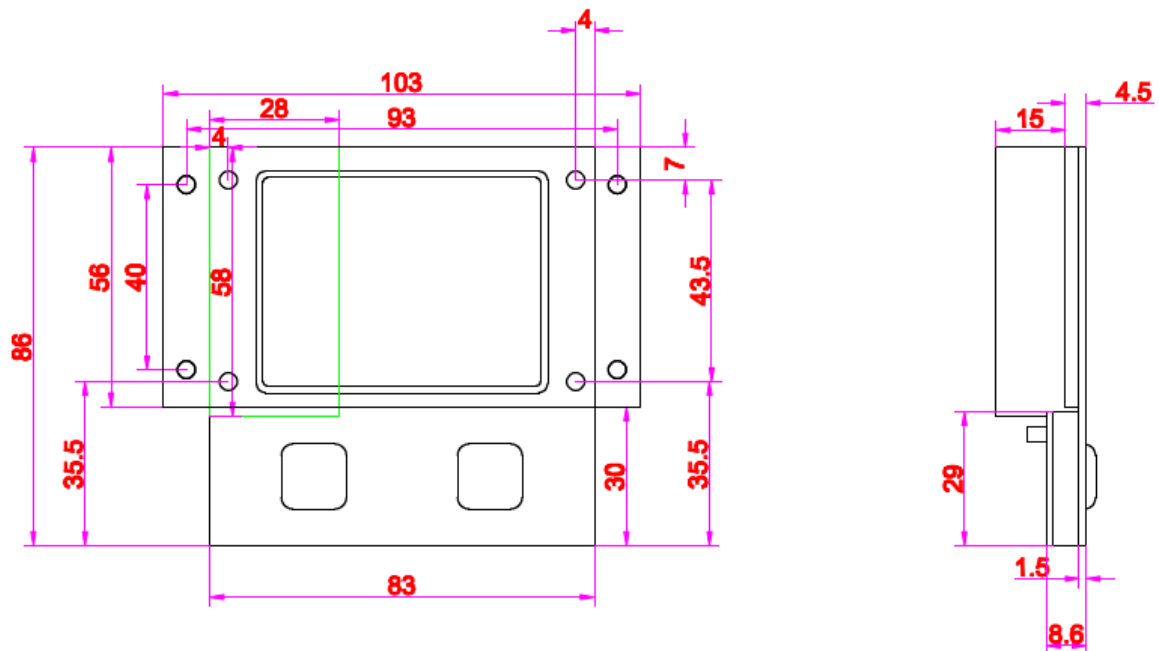
TECHNICAL SPECIFICATION:

ITEM		SPECIFICATION
Mechanical	Front Plate	Quality brushed stainless steel
	Touchpad thickness	1.3 mm PCB thickness inclusive of mylar layer
	Validated touch width	46.50mm (max)
	Validated touch length	62.50mm (max)
	Mounting Rack	Aluminum alloy
	Back Metal Cover	Rear side integrated electronics protected by a metal cover
	Touchpad lifespan	> 10 Mio times
	Dimensions	Touchpad: 65.0mm x 49.0mm; Front Panel: 83.0mm x 110.0mm , Rear Mounting Panel: 107.0mm x 134.0mm
Interface	PS2 and USB both available	
Electrical	Power supply	5V DC \pm 10%,
	Work current	4.0 mA (normal)
	X/Y position sensing resolution:	1000 points/inch (40 points/mm)
	X/Y position reporting:	Relative
	Tracking speed:	Maximum 1,016 m/sec
	Protection level:	IP65 dynamic (front panel)
	Static Release:	15 KV (front panel)
	EMC Standard:	EN55022(B)
Environmental	Operating temperature:	-20°C to +60°C
	Storage temperature:	- 40°C to + 70°C
	Operating RH:	10%-95%
	Atmospheric pressure:	60-106Kpa
Reliability	MTBF	>50000H
	MTTR	< 30MIN
	Touchpad Lifespan	>10 million actuations
OS	OS is under Windows95/98/NT/ME/2000/XP/2003/Vista/WIN7, Linux, Unix, Mac OS9 / OSX	
Packing Details	Each unit to a suitable brown inner box, suitable brown inner boxes to a standard export carton.	

PRI-KYB-A83RTP-V02

Description: IP65 Sealed and Ruggedized Touchpad with scroll function optional, with stainless steel housing protects the electronics module, with rear panel mounting.

Dimension: 83.0mm x 86.0mm (front panel)



TECHNICAL SPECIFICATION:

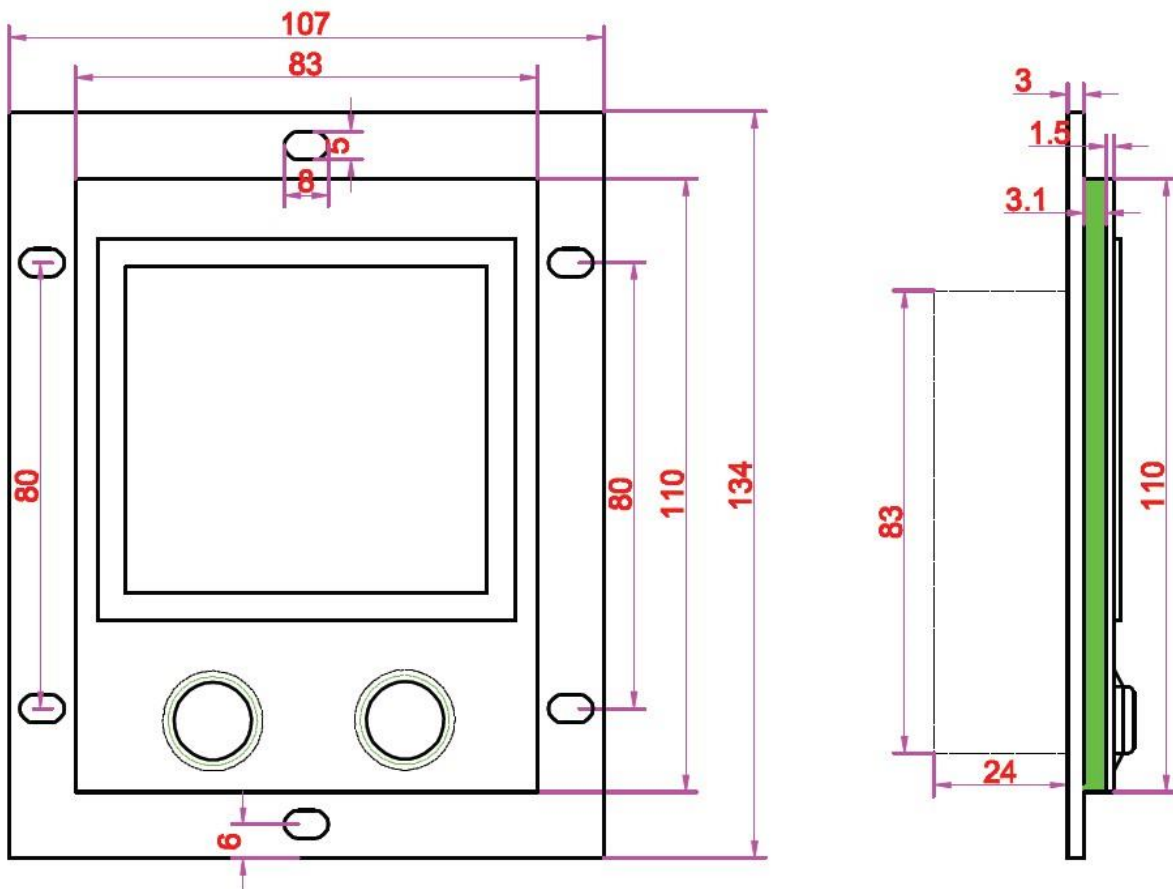
ITEM	SPECIFICATION	
Mechanical	Key	2 keys, quality brushed stainless steel
	Key top style	Protuberant Rectangular Keys,
	Front Plate	Quality brushed stainless steel
	Key Travel	2.0mm
	Touchpad thickness	1.3 mm PCB thickness inclusive of mylar layer
	Key switch lifespan	more than 10 Mio actuations
	Touchpad lifespan	10 Mio times
	Back Metal Cover	Rear side integrated electronics protected by a metal cover
	Actuation Force	1.0N to 3.0N
	Mounting Rack	Aluminum alloy
	Dimension	Touchpad: 65.0mm x 49.0mm; Front Mounting Panel: 83.0mm x 110.0mm (front panel), Rear Mounting Panel: 107.0mm x 134.0mm
Interface	PS2, USB are available, Y type cable with ports of PS2 and USB	
Electrical	Power supply	5V DC \pm 10%, keyboard interface
	Protection level	IP65 (front panel), NEMA3
	EMC Standard	EN55022(B)
	Power consuming	\leq 1.00W(dynamic)
		\leq 0.2W(static)
Contact Material	Gold/Carbon	
Environmental	Operating temperature	-20°C~+ 60° C
	Storage temperature	- 30°C~+ 70°C
	Operating RH	30~ 90%
	Atmospheric pressure	60~ 106Kpa.
Reliable	Certificates	RoHS compliant, CE and FCC certified.
	MTBF	>50000h
	MTTR	< 30min
OS	OS is under All windows, Linux, Unix, Mac OS9 / OSX	
Packing Details	Each unit to a suitable brown box, suitable brown boxes to a standard export carton.	

PRI-KYB-B83TP

DESCRIPTION: IP65 dynamic Sealed and Ruggedized Tough Touchpad for fast and accurate cursor position, with 2 raised IP65 dynamic sealed stainless steel mouse buttons under touchpad, the electronics controller module shielded and protected with stainless steel housing, with mounting holes along the rear panel mounting aluminum plate for rear panel mounting.



- The small and compact size for easy mounting, the light weight for easy moving.
- Smooth, durable operation and precise cursor positioning.
- Rate Sensitive Dynamic Resolution provides for accelerated movement of the cursor when the fingers move fast, while retaining one-pixel positioning accuracy when the fingers move slowly.



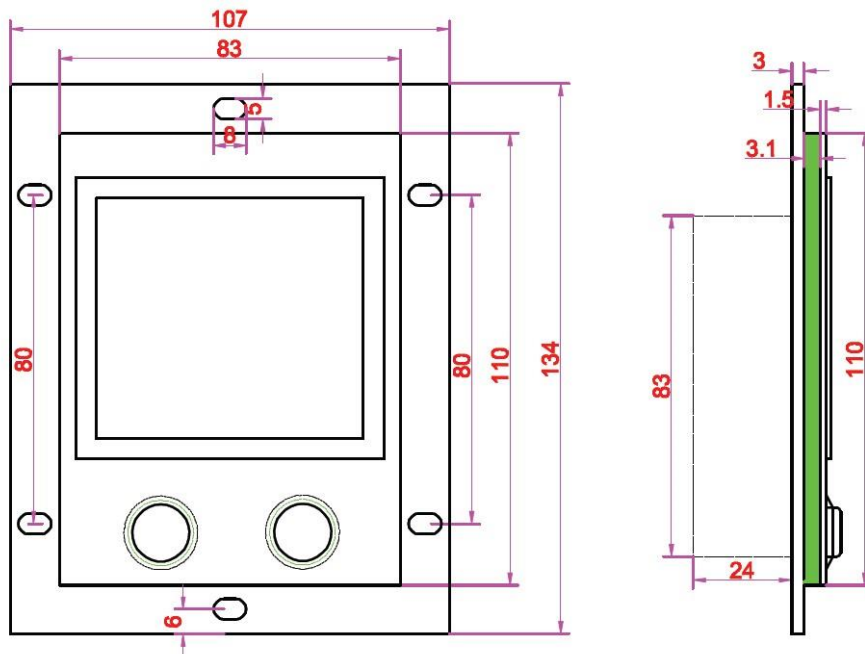
TECHNICAL SPECIFICATION:

ITEM		SPECIFICATION
Mechanical	Front Plate	Quality brushed stainless steel
	Touchpad thickness	1.3 mm PCB thickness inclusive of mylar layer
	Validated touch width	46.50mm (max)
	Validated touch length	62.50mm (max)
	Mounting Rack	Aluminum alloy
	Back Metal Cover	Rear side integrated electronics protected by a metal cover
	Touchpad lifespan	> 10 Mio times
	Dimensions	Touchpad: 65.0mm x 49.0mm; Front Panel: 83.0mm x 110.0mm , Rear Mounting Panel: 107.0mm x 134.0mm
Interface	PS2 and USB both available	
Electrical	Power supply	5V DC \pm 10%,
	Work current	4.0 mA (normal)
	X/Y position sensing resolution:	1000 points/inch (40 points/mm)
	X/Y position reporting:	Relative
	Tracking speed:	Maximum 1,016 m/sec
	Protection level:	IP65 dynamic (front panel)
	Static Release:	15 KV (front panel)
	EMC Standard:	EN55022(B)
Environmental	Operating temperature:	-20°C to +60°C
	Storage temperature:	- 40°C to + 70°C
	Operating RH:	10%-95%
	Atmospheric pressure:	60-106Kpa
Reliability	MTBF	>50000H
	MTTR	< 30MIN
	Touchpad Lifespan	>10 million actuations
OS	OS is under Windows95/98/NT/ME/2000/XP/2003/Vista/WIN7, Linux, Unix, Mac OS9 / OSX	
Packing Details	Each unit to a suitable brown inner box, suitable brown inner boxes to a standard export carton.	

PRI-KYB-B83RTP-BTM

Description: IP65 dynamic Sealed and Ruggedized Tough Touchpad for fast and accurate cursor position, with 2 raised IP65 dynamic sealed stainless steel mouse buttons under touchpad, the electronics controller module shielded and protected with stainless steel housing, high quality durable black titanium electroplated on the top stainless steel plate, stainless steel top plate with threaded bolts for top panel mounting solution.

Dimension: 83.0mm x 110.0mm (front panel)



TECHNICAL SPECIFICATION

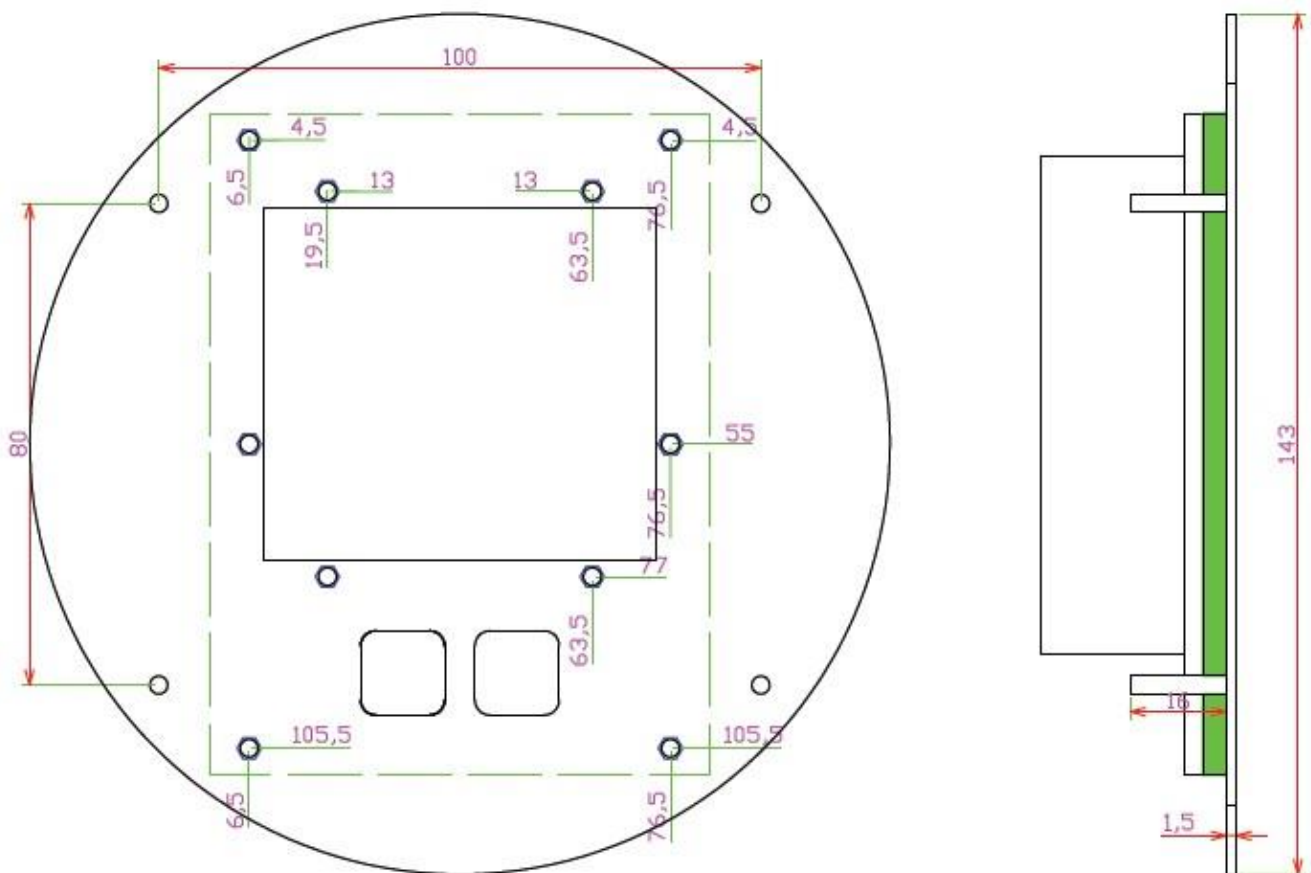
ITEM		SPECIFICATION
Mechanical	Front Plate	Quality brushed stainless steel
	Touchpad thickness	1.3 mm PCB thickness inclusive of mylar layer
	Validated touch width	46.50mm (max)
	Validated touch length	62.50mm (max)
	Mounting Rack	Aluminum alloy
	Back Metal Cover	Rear side integrated electronics protected by a metal cover
	Touchpad lifespan	> 10 Mio times
	Dimensions	Touchpad: 65.0mm x 49.0mm; Front Mounting Panel: 83.0mm x 110.0mm (front panel), Rear Mounting Panel: 107.0mm x 134.0mm
Interface	PS2 and USB both available	
Electrical	Power supply	5V DC \pm 10%,
	Work current	4.0 mA (normal)
	X/Y position sensing resolution:	1000 points/inch (40 points/mm)
	X/Y position reporting:	Relative
	Tracking speed:	Maximum 1,016 m/sec
	Protection level:	IP65 dynamic (front panel)
	Static Release:	15 KV (front panel)
	EMC Standard:	EN55022(B)
Environmental	Operating temperature:	-20°C to +60°C
	Storage temperature:	- 40°C to + 70°C
	Operating RH:	10%-95%
	Atmospheric pressure:	60-106Kpa
Reliability	MTBF	>50000h
	MTTR	< 30min
	Key switch lifespan	>10 million actuations
OS	OS is under All windows, Linux, Unix, Mac OS9 / OSX	
Packing Details	Each unit to a suitable brown inner box, suitable brown inner boxes to a standard export carton.	

PRI-KYB-A143TP

DESCRIPTION: IP65 Sealed and Ruggedized Touchpad with scroll function optional, with stainless steel housing protects the electronics module, with rear panel mounting. This small and compact touchpad is easy for system integration, and suitable in harsh industrial environment. Stable stainless steel front panel with mounting holes, rear side integrated electronics protected by a metal cover.



- The small and compact size for easy mounting, the light weight for easy moving. □ Smooth, durable operation and precise cursor positioning.
- Rate Sensitive Dynamic Resolution provides for accelerated movement of the cursor when the fingers move fast, while retaining one-pixel positioning accuracy when the fingers move slowly.



TECHNICAL SPECIFICATION:

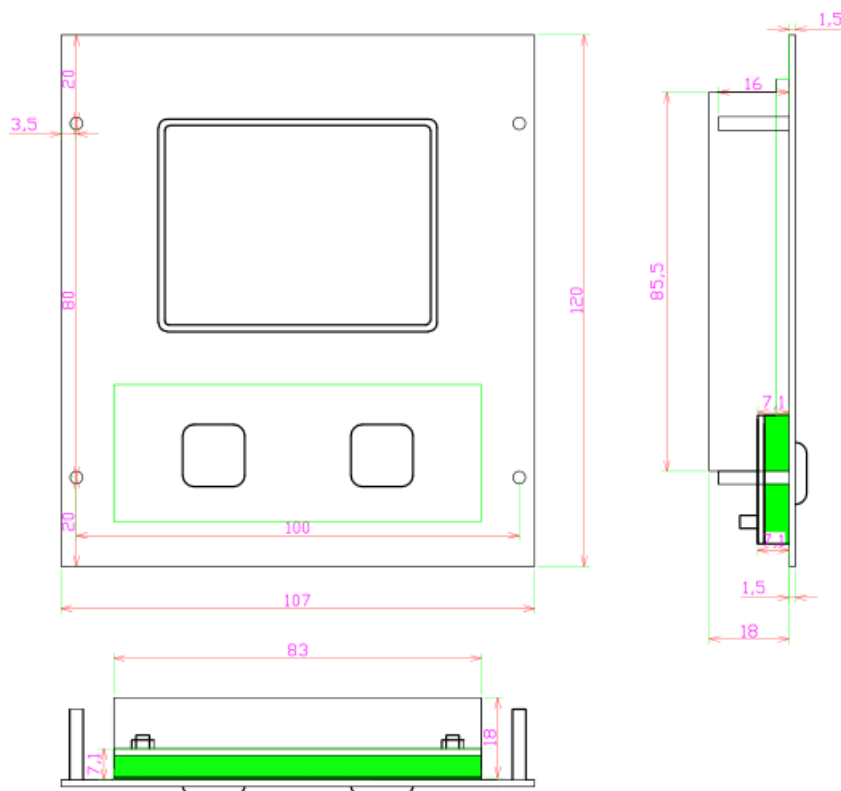
ITEM		SPECIFICATION
Mechanical	Front Plate	Quality brushed stainless steel
	Touchpad thickness	1.3 mm PCB thickness inclusive of mylar layer
	Validated touch width	46.50mm (max)
	Validated touch length	62.50mm (max)
	Mounting Rack	Aluminum alloy
	Back Metal Cover	Rear side integrated electronics protected by a metal cover
	Touchpad lifespan	> 10 Mio times
	Dimensions	Touchpad: 65.0mm x 49.0mm; Front Panel Diameter: 143.0mm
Interface	PS2 and USB both available	
Electrical	Power supply	5V DC \pm 10%,
	Work current	4.0 mA (normal)
	X/Y position sensing resolution:	1000 points/inch (40 points/mm)
	X/Y position reporting:	Relative
	Tracking speed:	Maximum 1,016 m/sec
	Protection level:	IP65 dynamic (front panel)
	Static Release:	15 KV (front panel)
	EMC Standard:	EN55022(B)
Environmental	Operating temperature:	-20°C to +60°C
	Storage temperature:	- 40°C to + 70°C
	Operating RH:	10%-95%
	Atmospheric pressure:	60-106Kpa
Reliability	MTBF	>50000h
	MTTR	< 30min
	Touchpad Lifespan	>10 million actuations
OS	OS is under Windows95/98/NT/ME/2000/XP/2003/Vista/WIN7, Linux, Unix, Mac OS9 / OSX	
Packing Details	Each unit to a suitable brown inner box, suitable brown inner boxes to a standard export carton.	

PRI-KYB-A107TP

DESCRIPTION: IP65 dynamic Sealed and Ruggedized Tough Touchpad for fast and accurate cursor position, with 2 raised stainless steel mouse buttons under touchpad, the electronics controller module shielded and protected with stainless steel housing, stainless steel top plate with threaded bolts for top panel mounting solution.



- The small and compact size for easy mounting, the light weight for easy moving.
- Smooth, durable operation and precise cursor positioning.
- Rate Sensitive Dynamic Resolution provides for accelerated movement of the cursor when the fingers move fast, while retaining one-pixel positioning accuracy when the fingers move slowly.



TECHNICAL SPECIFICATION:

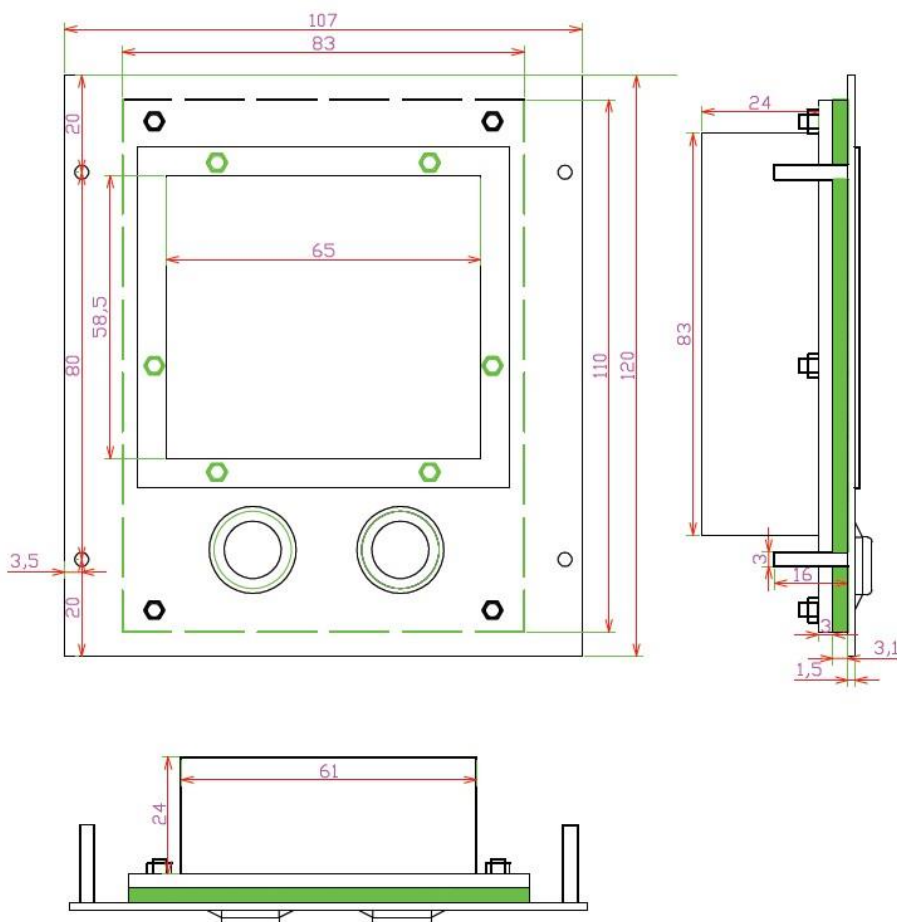
ITEM		SPECIFICATION
Mechanical	Front Plate	Quality brushed stainless steel
	Touchpad thickness	1.3 mm PCB thickness inclusive of mylar layer
	Validated touch width	46.50mm (max)
	Validated touch length	62.50mm (max)
	Mounting Rack	Aluminum alloy
	Back Metal Cover	Rear side integrated electronics protected by a metal cover
	Touchpad lifespan	> 10 Mio times
	Dimensions	Touchpad: 65.0mm x 49.0mm; Front Panel: 107.0mm x 120.0mm
Interface	PS2 and USB both available	
Electrical	Power supply	5V DC \pm 10%,
	Work current	4.0 mA (normal)
	X/Y position sensing resolution:	1000 points/inch (40 points/mm)
	X/Y position reporting:	Relative
	Tracking speed:	Maximum 1,016 m/sec
	Protection level:	IP65 dynamic (front panel)
	Static Release:	15 KV (front panel)
	EMC Standard:	EN55022(B)
Environmental	Operating temperature:	-20°C to +60°C
	Storage temperature:	- 40°C to + 70°C
	Operating RH:	10%-95%
	Atmospheric pressure:	60-106Kpa
Reliability	MTBF	>50000h
	MTTR	< 30min
	Touchpad Lifespan	>10 million actuations
OS	OS is under Windows95/98/NT/ME/2000/XP/2003/Vista/WIN7, Linux, Unix, Mac OS9 / OSX	
Packing Details	Each unit to a suitable brown inner box, suitable brown inner boxes to a standard export carton.	

PRI-KYB-B107TP

DESCRIPTION: IP65 dynamic Sealed and Ruggedized Tough Touchpad for fast and accurate cursor position, with 2 raised IP65 dynamic sealed stainless steel mouse buttons under touchpad, the electronics controller module shielded and protected with stainless steel housing, stainless steel top plate with threaded bolts for top panel mounting solution.



- The small and compact size for easy mounting, the light weight for easy moving.
- Smooth, durable operation and precise cursor positioning.
- Rate Sensitive Dynamic Resolution provides for accelerated movement of the cursor when the fingers move fast, while retaining one-pixel positioning accuracy when the fingers move slowly.



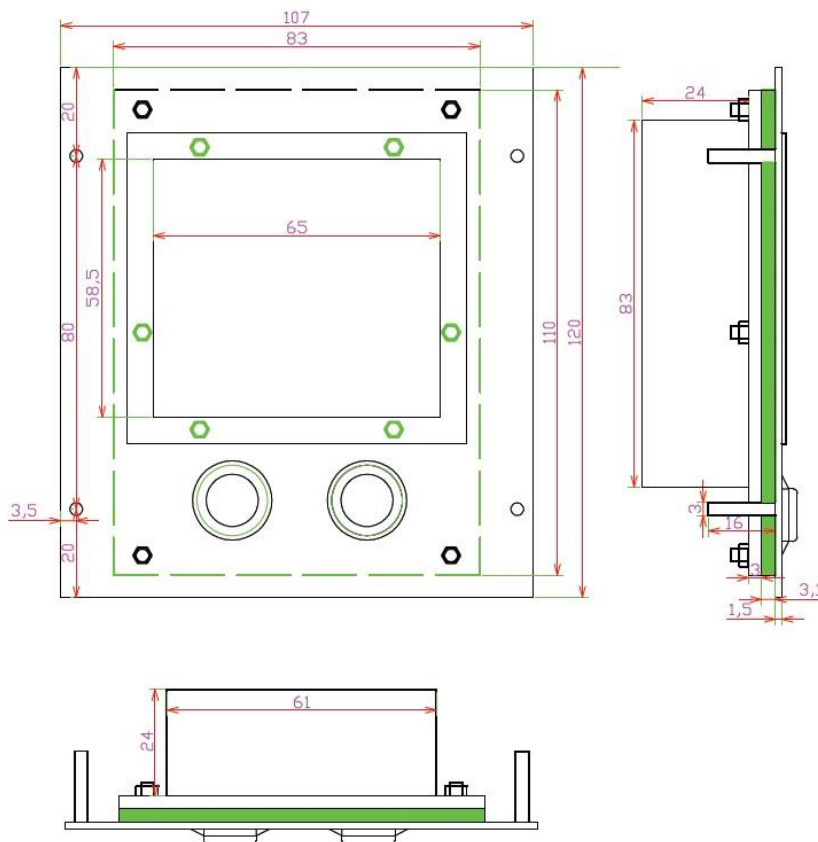
TECHNICAL SPECIFICATION:

ITEM		SPECIFICATION
Mechanical	Front Plate	Quality brushed stainless steel
	Touchpad thickness	1.3 mm PCB thickness inclusive of mylar layer
	Validated touch width	46.50mm (max)
	Validated touch length	62.50mm (max)
	Mounting Rack	top stainless steel plate with mounting screw bolts
	Back Metal Cover	Rear side integrated electronics protected by a metal cover
	Touchpad lifespan	> 10 Mio times
	Dimensions	Touchpad: 65.0mm x 49.0mm; Front Mounting Panel: 107.0mm x 120.0mm (front panel),
Interface	PS2 and USB both available	
Electrical	Power supply	5V DC \pm 10%,
	Work current	4.0 mA (normal)
	X/Y position sensing resolution:	1000 points/inch (40 points/mm)
	X/Y position reporting:	Relative
	Tracking speed:	Maximum 1,016 m/sec
	Protection level:	IP65 dynamic (front panel)
	Static Release:	15 KV (front panel)
	EMC Standard:	EN55022(B)
Environmental	Operating temperature:	-20°C to +60°C
	Storage temperature:	- 40°C to + 70°C
	Operating RH:	10%-95%
	Atmospheric pressure:	60-106Kpa
Reliability	MTBF	>50000H
	MTTR	< 30min
	Touchpad Lifespan	>10 million actuations
OS	OS is under Windows95/98/NT/ME/2000/XP/2003/Vista/Win 7, Linux, Unix, Mac OS9 / OSX	
Packing Details	Each unit to a suitable brown inner box, suitable brown inner boxes to a standard export carton.	

PRI-KYB-B107RTP-BTM

DESCRIPTION: IP65 dynamic Sealed and Ruggedized Tough Touchpad for fast and accurate cursor position, with 2 raised IP65 dynamic sealed stainless steel mouse buttons under touchpad, the electronics controller module shielded and protected with stainless steel housing, high quality durable black titanium electroplated on the top stainless steel plate, stainless steel top plate with threaded bolts for top panel mounting solution.

DIMENSIONS: 107.0mm x 120.0mm (top panel)



TECHNICAL SPECIFICATION

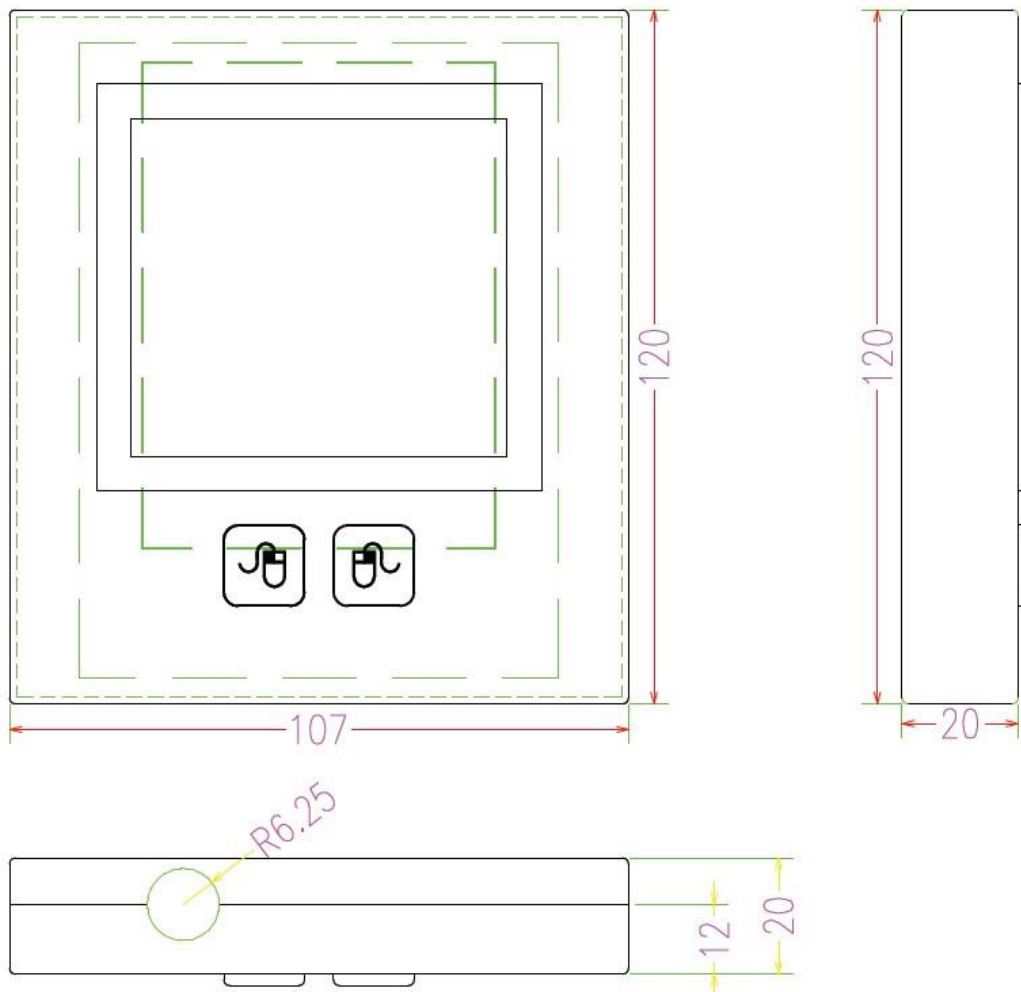
ITEM		SPECIFICATION
Mechanical	Front Plate	Quality brushed stainless steel
	Touchpad thickness	1.3 mm PCB thickness inclusive of mylar layer
	Validated touch width	46.50mm (max)
	Validated touch length	62.50mm (max)
	Mounting Rack	top stainless steel plate with mounting screw bolts
	Back Metal Cover	Rear side integrated electronics protected by a metal cover
	Touchpad lifespan	> 10 Mio times
	Dimensions	Touchpad: 65.0mm x 49.0mm; Front Mounting Panel: 107.0mm
Interface	PS2 and USB both available	
Electrical	Power supply	5V DC \pm 10%,
	Work current	4.0 mA (normal)
	X/Y position sensing resolution:	1000 points/inch (40 points/mm)
	X/Y position reporting:	Relative
	Tracking speed:	Maximum 1,016 m/sec
	Protection level:	IP65 dynamic (front panel)
	Static Release:	15 KV (front panel)
	EMC Standard:	EN55022(B)
Environmental	Operating temperature:	-20°C to +60°C
	Storage temperature:	- 40°C to + 70°C
	Operating RH:	10%-95%
	Atmospheric pressure:	60-106Kpa
Reliability	MTBF	>50000H
	MTTR	< 30min
	Touchpad Lifespan	>10 million actuations
OS	OS is under All windows, Linux, Unix, Mac OS9 / OSX	
Packing Details	Each unit to a suitable brown inner box, suitable brown inner boxes to a standard export carton.	

PRI-KYB-A107RTP-MDT

DESCRIPTION: IP65 dynamic Sealed and Ruggedized Tough Touchpad for fast and accurate cursor position, with 2 raised stainless steel mouse buttons under touchpad, the electronics controller module shielded and protected with stainless steel housing, stand alone desk top version.



- The light weight for easy moving.
- Smooth, durable operation and precise cursor positioning.
- Rate Sensitive Dynamic Resolution provides for accelerated movement of the cursor when the fingers move fast, while retaining one-pixel positioning accuracy when the fingers move slowly.



TECHNICAL SPECIFICATION:

ITEM		SPECIFICATION
Mechanical	Front Plate	Quality brushed stainless steel
	Touchpad thickness	1.3 mm PCB thickness inclusive of mylar layer
	Validated touch width	46.50mm (max)
	Validated touch length	62.50mm (max)
	Mounting Rack	Aluminum alloy
	Back Metal Cover	Rear side integrated electronics protected by a metal cover
	Touchpad lifespan	> 10 Mio times
	Dimensions	Touchpad: 65.0mm x 49.0mm; 107.0mm x 120.0mm x 20.0mm (L x W x H)
Interface	PS2 and USB both available	
Electrical	Power supply	5V DC \pm 10%,
	Work current	4.0 mA (normal)
	X/Y position sensing resolution:	1000 points/inch (40 points/mm)
	X/Y position reporting:	Relative
	Tracking speed:	Maximum 1,016 m/sec
	Protection level:	IP65 dynamic (front panel)
	Static Release:	15 KV (front panel)
	EMC Standard:	EN55022(B)
Environmental	Operating temperature:	-20°C to +60°C
	Storage temperature:	- 40°C to + 70°C
	Operating RH:	10%-95%
	Atmospheric pressure:	60-106Kpa
Reliability	MTBF	>20000h
	MTTR	< 30min
	Touchpad Lifespan	>10 million actuations
OS	OS is under Windows95/98/NT/ME/2000/XP/2003/Vista/WIN7, Linux, Unix, Mac OS9 / OSX	
Packing Details	Each unit to a suitable brown inner box, suitable brown inner boxes to a standard export carton.	

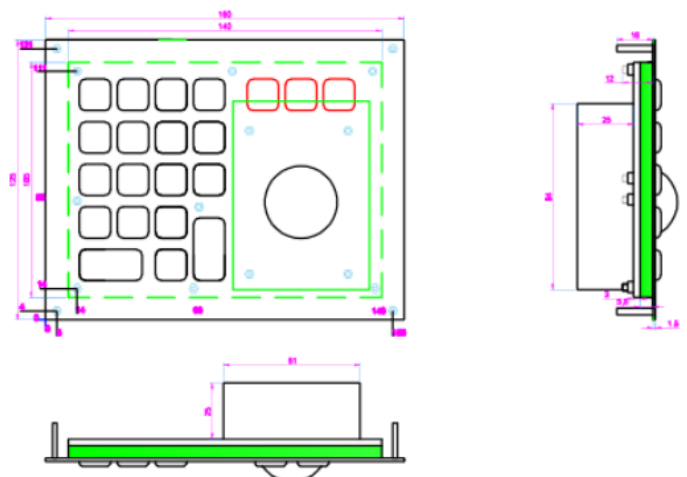
PRI-KYB-A160-38-TBL-NKP

DESCRIPTION: IP65 static rated Vandal proof Stainless Steel industrial Trackball with stainless steel trackball module , with integrated numeric keypad with industrial PCB with carbon-on-gold key switch technology with long stroke (2.0mm) with extremely good tactile feeling for fast and accurate data input without any noise, 3 mouse buttons designed for right & left clicking and scrolling up and down with ball rolling, stainless steel top plate with threaded bolts for top panel mounting solution. Trackball module with below 3 different protection versions: IP65 static 38.0mm mechanical trackball module with +400 DPI resolutions. IP68 dynamic 38.0mm optical trackball module with +800 DPI resolutions. IP68 dynamic 38.0mm laser trackball module with +1200 DPI resolutions.

APPLICATION: This trackball is mainly targeted for use for unsupervised or semi-supervised positions of varied access applications, internet terminals and information kiosks, ticket vending machines, gas stations, Internet public phones etc.

- **Key top style:** Protuberant rectangular keys, with laser engraved and etched legends and raised braille on keys are available.
- **G.W.:** 1.00 kgs.
- **Dimensions:** 160.0mm x 125.0mm (front panel) 140.0mm x 105.0mm (back panel).

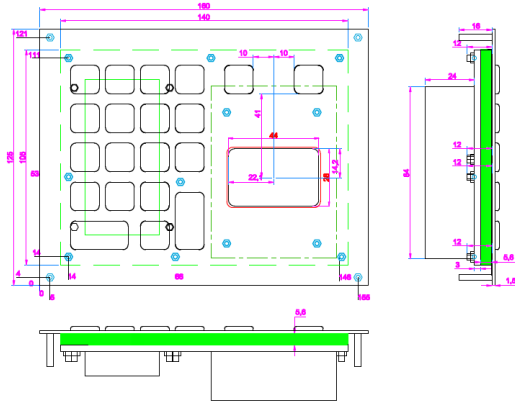
Product Name			IP Rate
PRI-KYB-A160-38-MTB-NK P	Trackball; Mechanical trackball with 400 DPI;	PS/2; USB	IP65 Dynamic
PRI-KYB-A160-38-OTBM-N KP	Trackball; Optical trackball with 800 DPI;	PS/2; USB	IP68 Dynamic
PRI-KYB-A160-38-LTBM-N KP	Trackball; Laser trackball with 1200 DPI;	PS/2; USB	IP68 Dynamic
Other language versions/interfaces/configuration available on request			



PRI-KYB-A160RTP-NKP

DESCRIPTION: IP65 dynamic sealed and ruggedized tough touchpad with scroll function (optional) for fast and accurate cursor position, industrial PCB with carbon-on-gold key switch technology with long stroke (2.0mm) with extremely good tactile feeling for fast and accurate data input without any noise, with numeric keypad integrated, stainless steel top plate with threaded bolts for top panel mounting solution.

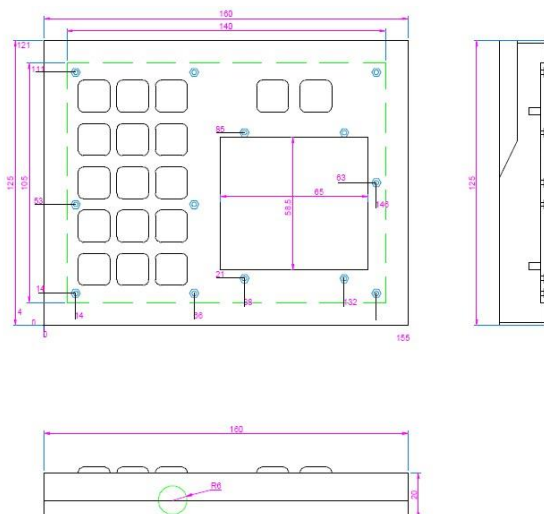
- **Key top style:** Protuberant rectangular keys, with laser engraved and etched legends and raised braille on keys are available.
- **G.W.:** 0.80 kgs.
- **Dimensions:** 160.0mm x 125.0mm (front panel)



PRI-KYB-A160RTP-NKP-MDT

DESCRIPTION: IP65 dynamic sealed and ruggedized tough touchpad with scroll function (optional) for fast and accurate cursor input, with numeric keypad integrated, industrial PCB with carbon-on-gold key switch technology with long stroke (2.0mm) with extremely good tactile feeling for fast and accurate data input without any noise, movable stand alone desk top version with stainless steel housing.

- **Key top style:** Protuberant rectangular keys, with laser engraved and etched legends and raised braille on keys are available.
- **G.W.:** 1.20 kgs.
- **Dimensions:** 160.0mm x 125.0mm x 20.0mm (L x W x H)



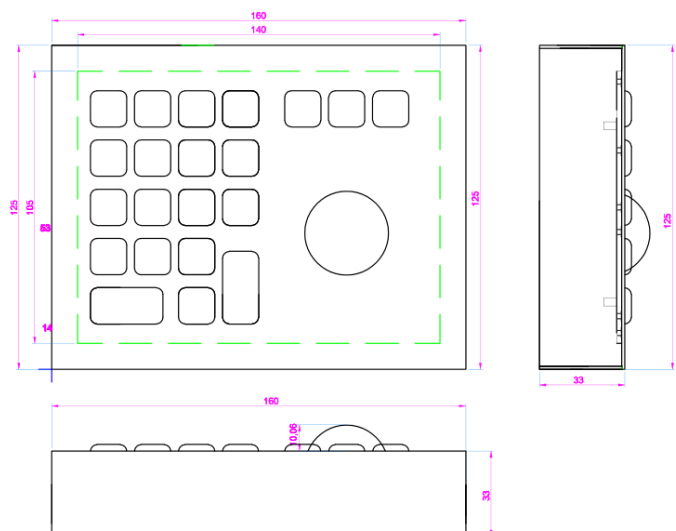
PRI-KYB-A160-38-TBL-NKP-MDT

DESCRIPTION: IP65 dynamic Vandal proof Stainless Steel industrial keyboard with stainless steel trackball module for fast and accurate fixing cursor position with extreme smooth operation without any noise, with integrated numeric keypad, industrial PCB with carbon-on-gold key switch technology with long stroke (2.0mm) with extremely good tactile feeling for fast and accurate data input without any noise, movable stand alone desk top version with stainless steel housing. Trackball module with below 3 different protection versions: IP65 static 38.0mm mechanical trackball module with +400 DPI resolutions. IP68 dynamic 38.0mm optical trackball module with +800 DPI resolutions. IP68 dynamic 38.0mm laser trackball module with +1200 DPI resolutions.

APPLICATION: This trackball is mainly targeted for use for unsupervised or semi-supervised positions of varied access applications, internet terminals and information kiosks, ticket vending machines, gas stations, Internet public phones etc.

- **Key top style:** Protuberant rectangular keys, with laser engraved and etched legends and raised braille on keys are available.
- **G.W.:** 1.60 kgs.
- **Dimensions:** 160.0mm x 125.0mm x 32.0mm (L x W x H)

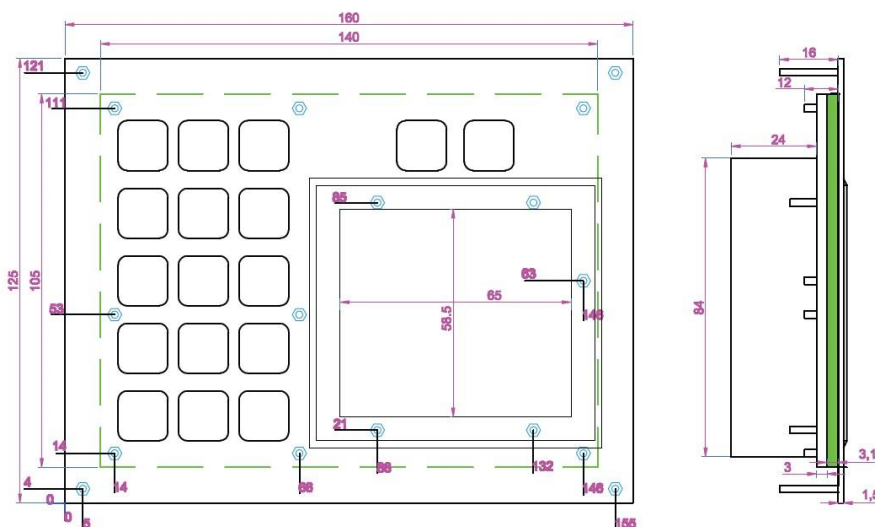
Product Name			IP Rate
PRI-KYB-A160-38-MTB-NKP-MDT	Trackball; Mechanical trackball with 400 DPI; Desktop version	PS/2; USB	IP65 Dynamic
PRI-KYB-A160-38-OTBM-NKP-MDT	Trackball; Optical trackball with 800 DPI; Desktop version	PS/2; USB	IP68 Dynamic
PRI-KYB-A160-38-LTBM-NKP-MDT	Trackball; Laser trackball with 1200 DPI; Desktop version	PS/2; USB	IP68 Dynamic
Other language versions/interfaces/configuration available on request			



PRI-KYB-B160RTP-NKP

DESCRIPTION: IP65 dynamic sealed and ruggedized tough touchpad with scroll function (optional) for fast and accurate cursor position, industrial metal dome PCB with gold-on-gold key switch technology with short stroke 0.45mm with excellent tactile feeling for stable and accurate data input, with numeric keypad integrated, stainless steel top plate with threaded bolts for top panel mounting solution.

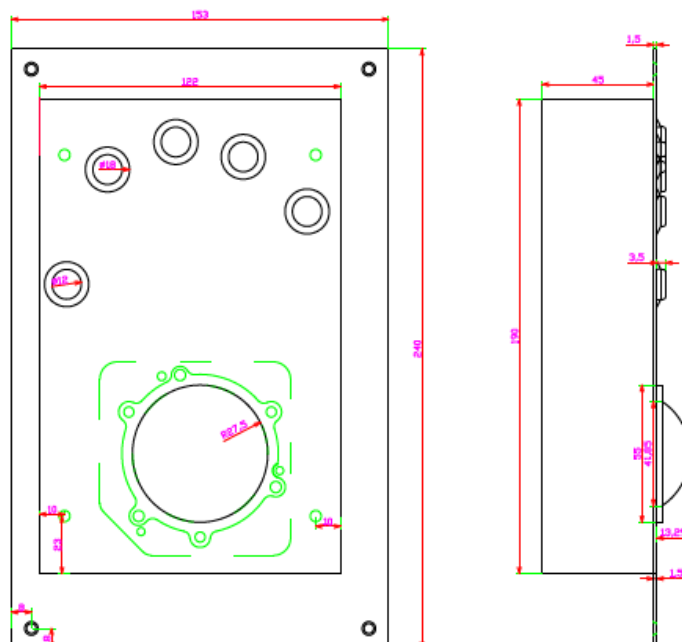
APPLICATION: This touchpad is mainly targeted for use for unsupervised or semi-supervised positions of varied access applications, internet terminals and information kiosks, ticket vending machines, gas stations, Internet public phones etc.



PRI-KYB-B153-50-MTB

DESCRIPTION: IP65 Vandal proof Stainless Steel Trackball with IP65 rated 50mm mechanical trackball module with adjustable resolutions functionalities from low to high to meet different application requirements, with sealed stainless steel 5 mouse buttons, with front panel mounting solutions. Military level.

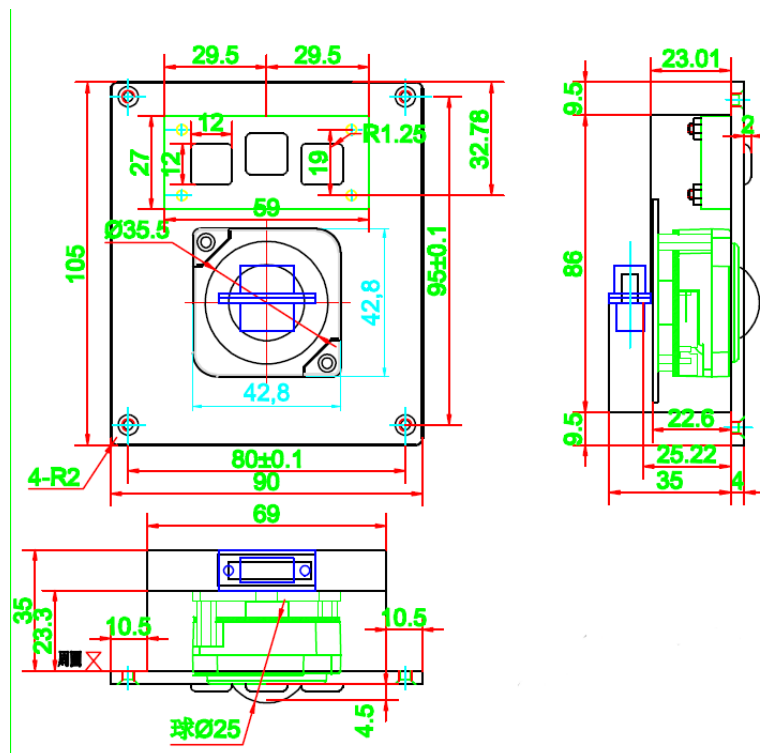
DIMENSIONS: 153.0mm x 240.0mm x 45.0mm (L x W x H)



PRI-KYB-M90-25-MTB

DESCRIPTION: IP65 dynamic Vandal proof Red Phenol Resin Mechanical Trackball module with +400 DPI resolutions, stainless steel housing protects the trackball module, high quality durable Black Electroplate Titanium included.rear stainless steel panel mounted with 3 sealed polymer mouse buttons designed for right & left clicking and scrolling up and down with ball rolling,with rear panel mounting solution.

DIMENSIONS: 90.00mm x 105.00mm(top panel)



PRI-KYB-M124-38-CTBM

Description: IP65 static 38.0mm mechanical trackball module with transparent touch ball with adjustable chameleon backlight & 400 DPI resolutions, with 3 industrial backlight mouse buttons designed for right & left clicking and scrolling up and down with ball rolling, high quality durable Electroplate Titanium Black on the top stainless steel plate (optional).

Dimension: 124.0mm x 19

