

# Product Catalog 2016

## IP68 Mouse



# TABLE OF CONTENTS

TABLE OF CONTENTS .....	2
PRI-KYB-M64-OMS-MDT .....	3
PRI-KYB-M130-25-OTBM-NKP-OEM .....	5
PRI-KYB-M88TP .....	7

## IP68 MOUSE

### PRI-KYB-M64-OMS-MDT

**DESCRIPTION:** IP68 dynamic sealed & Ruggedized 5 keys Waterproof, Hygienic Optical Mouse with durable coating & antimicrobial mouse surface withstand to most chemicals and liquids under harsh environments, the mouse is full sized and features a 5-buttons designed for right & left clicking and scrolling up and down just like a conventional non-waterproof mouse, and it is a fully sealed IP68 and compatible with both USB and PS/2.

#### MAIN FEATURES AND BENEFITS :



- Optical IP68 mouse
- No raised or recessed surfaces
- May be disinfected as part of an infection control program
- Suitable for moist and dusty environments
- Three extra buttons for effortless scroll up, scroll down & scroll lock
- Excellent soft-touch tactile key response
- Special Dura-coating for excellent mechanical and chemical resistance
- Cable Length: 2.5m
- G.W.: 0.5KGs
- Dimensions: 126.0mm x 63.5mm x 34.0mm (L x W x H)

#### ELECTRICAL DATA

- Supply Voltage: +5V DC +/-5%
- Current Rating:
- PS2: keyboard with 210mA@5V  
USB: 220mA@5V (from CPU port)
- EMC Standard: It is compliance with the council EMC directive 89/336/EEC EN55022: 1988+A1:2000+A2:2003 EN55024: 1988+A1: 2001+A2:2003
- Emission: EN 50081-1
- Immunity: EN 50082-1
- Lifespan > 3 years
- Switch Contact Material: Gold-on-Gold key switch technology with gold PCB.
- Interface: PS2, USB available.
- **OS: Windows95/98/NT/ME/2000/2003/XP/Vista/WIN7, Linux, Unix, Mac OSX**

## ENVIRONMENTAL ADAPTABILITY

- Operating temperature: -30°C to +65°C
- Storage temperature: -40°C to +65°C
- Humidity: 100%
- Atmospheric pressure: 60-106Kpa
- Flammability

PRINTED CIRCUIT BOARD: 94 VO

SILICONE OVERLAY: 94 HB

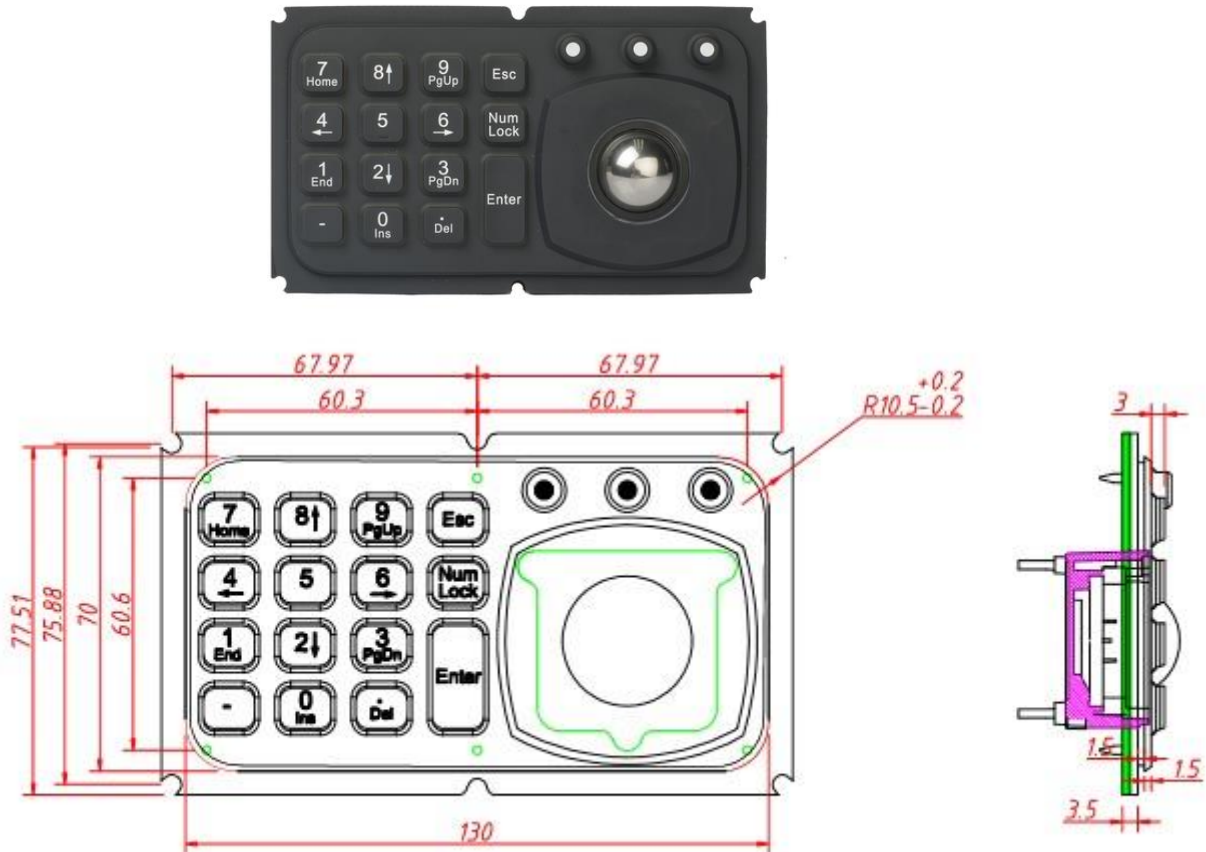
INTERFACE CABLE: 94 V

## RELIABILITY

- **RoHS Compliant, CE and FCC,ESD**
- **Protection Level: IP68, NEMA 6P**
- Key Lifespan >5 million actuations
- MTBF >50000H
- MTTR <30min

## PRI-KYB-M130-25-OTBM-NKP-OEM

**DESCRIPTION:** 15 Keys IP65 sealed & Ruggedized Industrial Silicone Rubber Numeric keypad with integrated sealed IP68 dynamic 25.0mm dynamic washable optical trackball module with 800 DPI for fast and accurate cursor position, industrial PCB with carbon-on-gold key switch technology with long stroke (1.50mm) with extremely good tactile feeling for fast and accurate data input without any noise, with top panel mounting solution. Backlight optional, military level optional.



### MAIN FEATURES

Keypad has NVIS-compliant red adjustable backlighting **optional**, while NVIS backlighting makes this keyboard ideal for aviation or vehicle applications where night vision goggles are necessary.

The trackball pointing device is a completely sealed IP68 dynamic washable **25.0mm optical trackball**. The trackball is operated using totally sealed switches with left and right click, scroll rolling functions.

Keypad provides is in a rugged, compact design, rugged construction for reliable functionality

The keypad lacks the crevices found between the keys of a regular keypad, which is protected against dust, dirt, grease and corrosive liquids to NEMA 4X, which means it can withstand directed hose water, disinfectants, environmental contaminants and heavy industrial use.

Special dura-coating for excellent mechanical and chemical resistance

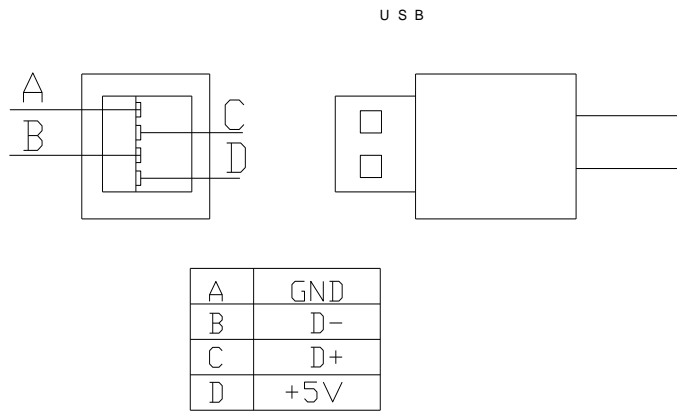
With firm tactile key feel, key travel **1.5mm**.

IP65 static mechanical trackball module with military level **optional**.

Enclosure: industrial silicone

Ease of customizing with multiple languages, to accommodate foreign or custom variants.

PS/2, USB connection cables that plug directly into computer like keyboard operations.



USB interface definition as above, it is standard USB interface and protocol.

## MECHANICAL DATA

Key: 15 keys

Key top style: Protuberant rectangular keys with tactile feeling.

Switch life: more than 10 million of operations.

Cable Length: 2.50m

G.W.: 0.60KGs

Dimensions: 130.00mm x 77.51mm (L x W )

## ELECTRICAL DATA

Supply Voltage: +5V DC +/-5%

Current Rating: 50mA (non-backlight) , 120mA (with backlight on)

Power: 0.25W (non-backlight), 0.60W (with backlight on)

EMC Standard: It is compliance with the council IEC 61000-4-2:2008; IEC 61000-4-3:2006+AI:2007+A2:2010; IEC 61000-4-4:2004

EMI: EN 55022: 2010

EMS: EN 55024:2010

Lifespan> 3 years

Switch Contact Material: Carbon-on-Gold key switch technology with gold PCB.

Interface: PS2, USB available.

OS: all Windows, Linux, Unix, Mac OSX

## ENVIRONMENTAL ADAPTABILITY

Operating temperature:-20oC to +65oC

Storage temperature: -40oC to +80oC

Humidity: 100%

Atmospheric pressure: 60-106Kpa

## RELIABILITY

RoHS, CE and FCC, ESD

Protection Level: IP65, NEMA 6P

Key Lifespan >10 million actuations

MTBF >50000H

MTTR <30min

## PRI-KYB-M88TP

**DESCRIPTION:** IP65 dynamic Sealed and Ruggedized Rubber Touchpad for fast and accurate cursor position, with 2 raised mouse buttons under touchpad, the electronics controller module shielded and protected with stainless steel housing, with mounting holes along the rear panel mounting aluminum plate for rear panel mounting.

**DIMENSIONS :** 88.0mm x 88.0mm (front panel)



### APPLICATIONS:

**MEDICAL:** lab, hospital, clinic, dental, such as carts, diagnostic equipments, operation rooms, dialysis centers etc;

**MATERIAL HANDLING:** mobile keyboard, data entry, assembly line etc

**MILITARY:** Army, Navy, Air force

**INDUSTRIAL:** Industrial automation, pharmaceutical, oil and gas, food and beverage, clean or dirty manufacturing environments, warehouses

**OTHER INDUSTRIES**

