

Product Catalog 2016

Public Telephone set – Function Keypad



TABLE OF CONTENTS

TABLE OF CONTENTS	2
PUBLIC TELEPHONE SET	3
FUNCTION KEYPAD	4
PRI-KYB-A98FK	5
PRI-KYB-B98FK-BTM.....	5
PRI-KYB-B100FK	6
PRI-KYB-B110FK.....	7
PRI-KYB-B116FK.....	8
PRI-KYB-B160FK	8
PRI-KYB-B175FK	9
PRI-KYB-B98FK	10
PRI-KYB-B195FK-20-AC.....	11

PUBLIC TELEPHONE SET



16 Keys Vandal Proof IP65 Stainless Steel Telephone Keypad



12 Keys Vandal Proof IP65 Stainless Steel Telephone Keypad



Metal phone fork



USB handle



Anti-vandal Phone Handle Set



Phone connector

FUNCTION KEYPAD

MAIN FEATURES

- Stainless steel fascia and key-tops guard willful destruction, against corrosion, shock, dust, falling raining, splashing, hose-directed water and vandal resistant, operation under hostile environments.
- Internet friendly key layout, key-tops are sunk laser-etched in legends and characters via using high quality ink for easy readability, long life to prevent lettering rub-off. Or protrusive engraving available
- With firm tactile key feel, short travel switches, with unique double over-travel protection.
- Waterproof/dirt-proof execution according to degree of protection IP65/IP54, waterproof and dirt proof encapsulation with unique membrane.
- Easily mounting into enclosure or panel.

MECHANICAL DATA

- **Key Switch Technology:** Carbon-on-gold technology for Model A
Gold-on-gold technology for Model B
- **Actuation Force:**
Model A, 0.6N+/-0.1N (pressure point)
Model B, 2N+/-0.1N (pressure point),
- **Key travel:** 2mm for long stroke (Model A) .
0.45mm for short stroke (Model B),
- **Lettering:** laser engraving, or raised letters.
- **Front panel:** brushed stainless steel.
- **Actuator/keys materials:** stainless steel.

ELECTRICAL DATA

- **Power supply voltage:** 5V DC.
- **Power Consumption:** Under 150mW for operation, under 50mW for non-operation
- **Electrical lifetime:** > 5 years
- **EMC:**EN55022(B)

ENVIRONMENTAL ADAPTABILITY

- **Operating temperature:**-5°C to +45°C
- **Storage temperature:**-10 °C to +50°C
- **Operating RH:** 30 ~ 90%
- **Atmospheric pressure:** 60 ~ 106Kpa.

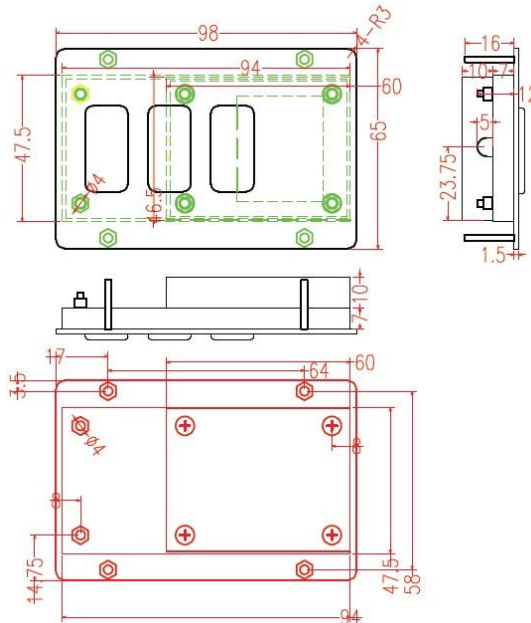
RELIABILITY

- **Protection Level:** IP65
- **Vandal resistant** IK09 for model A, IK10 for model B
- **Key Lifespan** >10 million actuations for model A,
>5 million actuations for model B.
- **MTBF** >50000H
- **MTTR** <30MIN

PRI-KYB-A98FK

DESCRIPTION: 3 Keys IP65 dynamic Vandal proof Stainless Steel industrial Mouse Button with industrial PCB with carbon-on-gold key switch technology with long stroke (2.0mm) with excellent tactile feeling for stable and accurate data input, with electronics controller, with top stainless steel panel mounting solution.

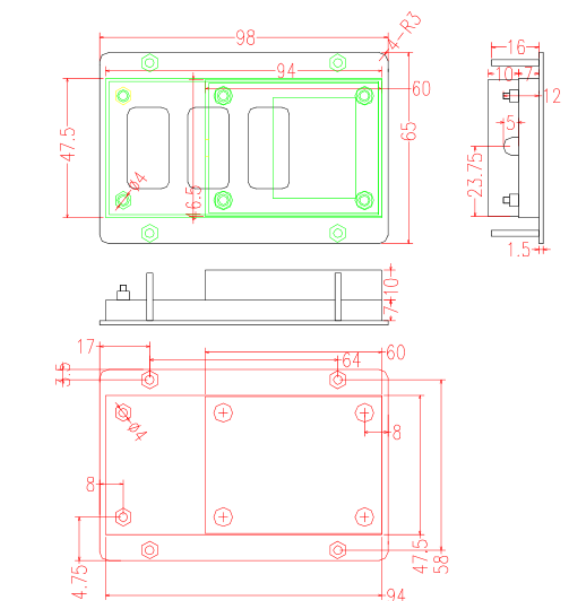
- **Key top style:** Protuberant square keys, etched graphics are available.
- **Dimensions:** 98.0mm x 65.0mm
- **G.W.:** 0.25 kgs



PRI-KYB-B98FK-BTM

Description: 3 Keys IP65 dynamic Vandal proof Stainless Steel industrial Mouse Button with industrial metal dome PCB with gold-on-gold key switch technology with short stroke 0.45mm with excellent tactile feeling for stable and accurate data input, with electronics controller, high quality durable black titanium electroplated on the top stainless steel plate, with top stainless steel panel mounting solution.

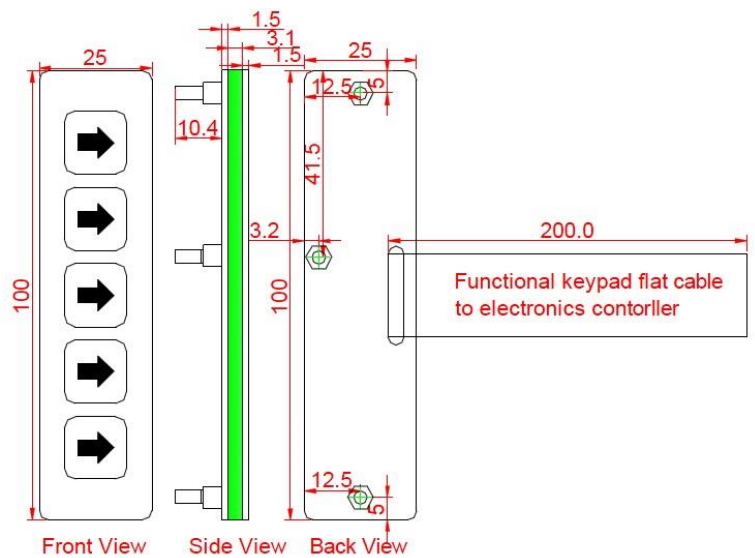
- **Key top style:** Protuberant square keys, etched graphics are available.
- **Dimensions:** 98.0mm x 65.0mm
- **G.W.:** 0.25 kgs



PRI-KYB-B100FK

DESCRIPTION: 5 Keys IP65 dynamic Vandal proof Stainless Steel industrial matrix function keypad with industrial metal dome PCB with gold-on-gold key switch technology with short stroke 0.45mm with excellent tactile feeling for stable and accurate data input, without electronics controller, with top panel mounting.

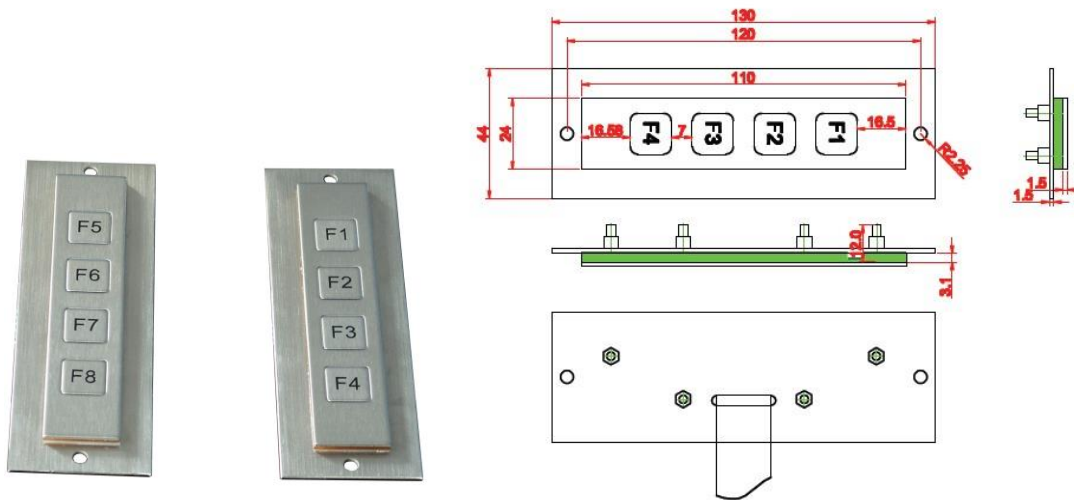
- **Key top style:** Plain/Non-Protuberant rectangular keys, with laser engraved and etched legends and raised braille on keys are available.
- **Dimensions:** 100.0mm x 25.0mm
- **G.W.:** 0.30 kgs



PRI-KYB-B110FK

DESCRIPTION: 4 Keys IP65 dynamic Vandal proof Stainless Steel industrial matrix function keypad with industrial metal dome PCB with gold-on-gold key switch technology with short stroke 0.45mm with excellent tactile feeling for stable and accurate data input, without electronics controller, with rear panel mounting.

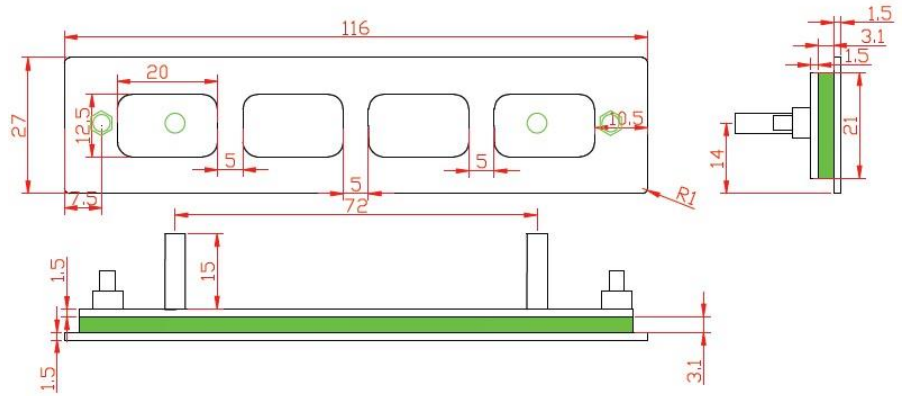
- **Key top style:** Plain/Non-Protuberant rectangular keys, with laser engraved and etched legends and raised braille on keys are available.
- **Dimensions:** 110.0mm x 24.0mm
- **G.W.:** 0.20 kgs



PRI-KYB-B116FK

DESCRIPTION: 4 Keys IP65 dynamic Vandal proof Stainless Steel industrial matrix function keypad with industrial metal dome PCB with gold-on-gold key switch technology with short stroke 0.45mm with excellent tactile feeling for stable and accurate data input, without electronics controller, with top panel mounting.

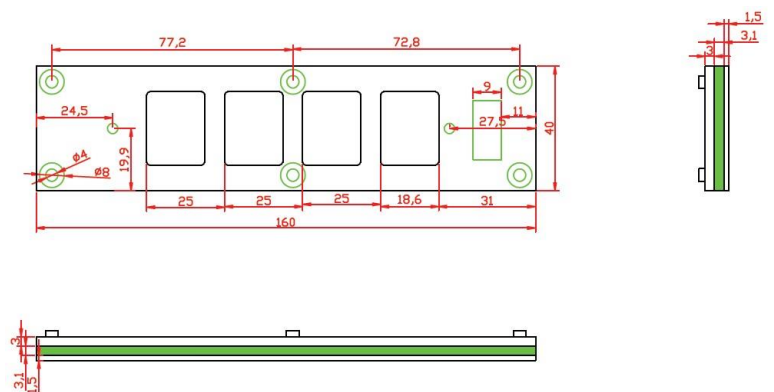
- **Key top style:** Plain/Non-Protuberant rectangular keys, with laser engraved and etched legends and raised braille on keys are available.
- **Dimensions:** 116.0mm x 27.0mm.
- **G.W.:** 0.40 kgs.



PRI-KYB-B160FK

DESCRIPTION: 4 Keys IP65 dynamic Vandal proof Stainless Steel industrial matrix function keypad with industrial metal dome PCB with gold-on-gold key switch technology with short stroke 0.45mm with excellent tactile feeling for stable and accurate data input, without electronics controller, with top panel mounting.

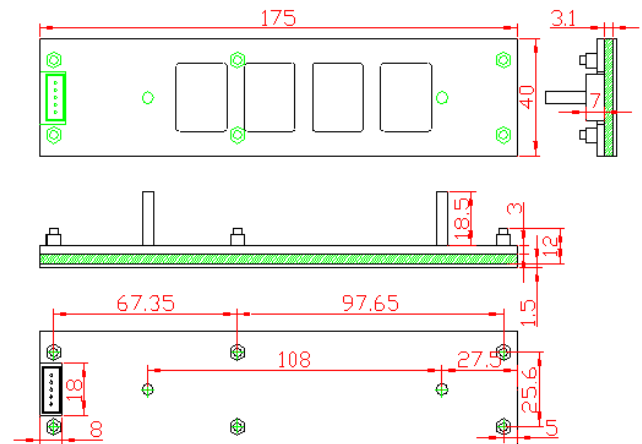
- **Key top style:** Plain/Non-Protuberant rectangular keys, with laser engraved and etched legends and raised braille on keys are available.
- **Dimensions:** 160.0mm x 40.0mm
- **G.W.:** 0.30 kgs



PRI-KYB-B175FK

DESCRIPTION: 4 Keys IP65 dynamic Vandal proof Stainless Steel industrial matrix function keypad with industrial metal dome PCB with gold-on-gold key switch technology with short stroke 0.45mm with excellent tactile feeling for stable and accurate data input, without electronics controller, with top panel mounting.

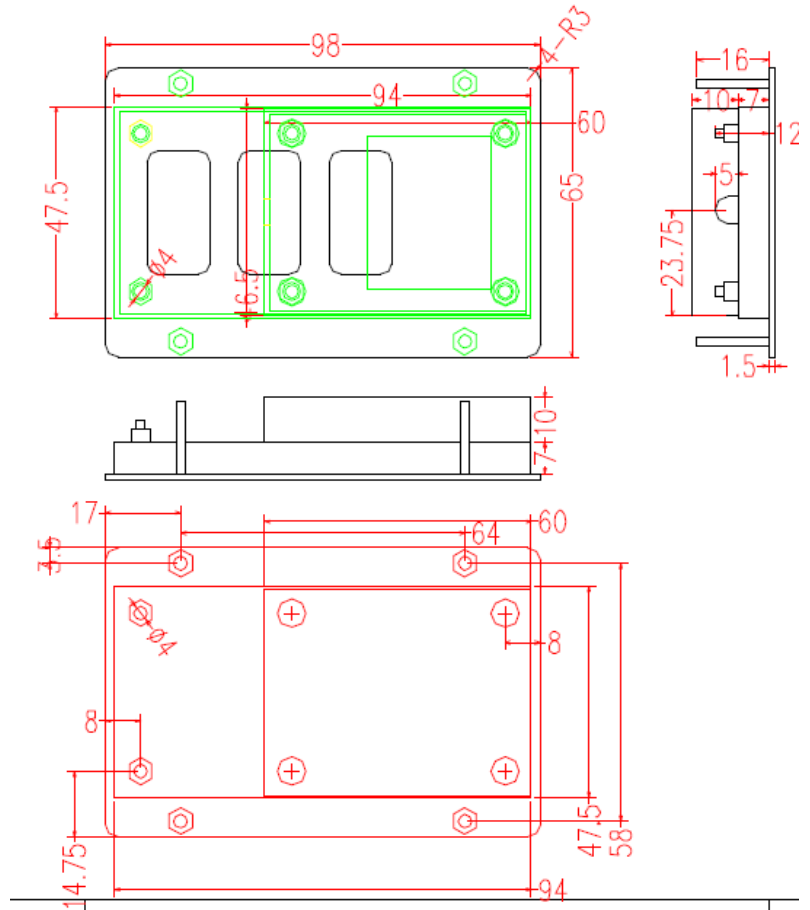
DIMENSIONS: 175.0mm x 40.0mm (Front Panel)



PRI-KYB-B98FK

DESCRIPTION: 3 Keys IP65 dynamic Vandal proof Stainless Steel industrial Mouse Button with industrial metal dome PCB with gold-on-gold key switch technology with short stroke 0.45mm with excellent tactile feeling for stable and accurate data input, with electronics controller, with top stainless steel panel mounting solution.

DIMENSIONS: 98.0mm X 65.0mm (front panel)



PRI-KYB-B195FK-20-AC

DESCRIPTION: 20 Keys IP65 dynamic Vandal proof Stainless Steel industrial function keypad with industrial metal dome PCB with gold-on-gold key switch technology with short stroke 0.45mm with excellent tactile feeling for stable and accurate data input, with RS232 electronics controller included, with top panel mounting.

DIMENSIONS: 195.0mm X 28.0mm (front panel)

