

G101G7

10.1" ARM A78 + A55 Rugged Robotic Control Station



KEY FEATURES

- 10.1" 1920x1200 LED Panel with PCAP Touch
- Android 13.0/Linux Ubuntu
- 4G RAM + 64G eMMC
- ARM Genio 700 2 x A78 2.2GHz + 6 x A55 2.0GHz
- Supports WIFI, BT and optional 4G
- All-weather, dust, and water-resistant design (IP65). MIL-grade drop, Shock and vibration

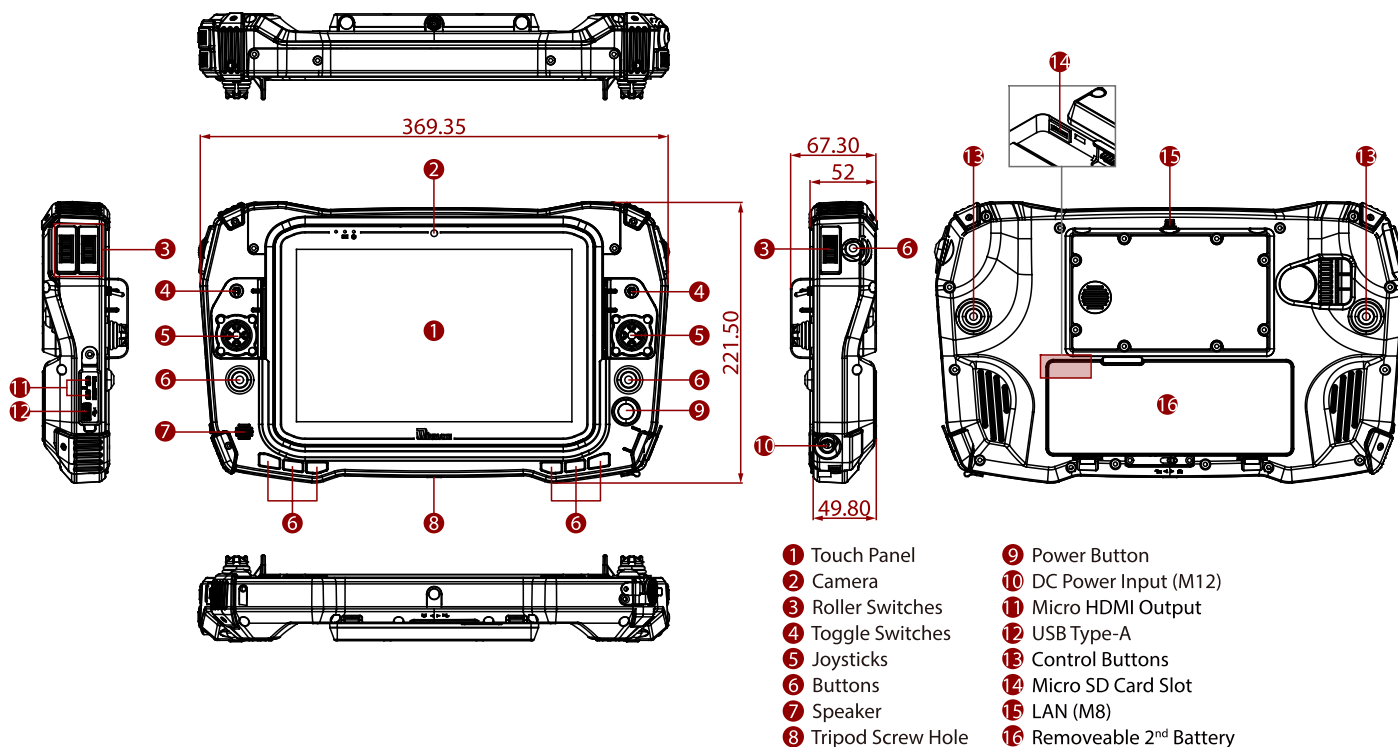


SPECIFICATIONS

Display			
Resolution	1920x1200	Size	10.1 inches
Contrast Ratio	800:1	Panel Brightness	800.0 nits
View Angles	85,85,85,85	Type	Projected Capacitive Multi Touch
Viewability	Anti-Glare touch treatment	Touch Mode	Support Hand / Gloves and Rain Mode
System Specification			
Processor	Genio 700 2 x A78 2.2GHz + 6 x A55 2.0GHz	Memory	4GB
Storage	64GB	Security	Trusted Platform Module (TPM) 2.0
Operating System	Android 13.0 Linux Ubuntu	WLAN	Support
BT	Support	WWAN	4G (Optional)
GNSS	GPS/GLONASS	Sensors	Light Sensor
Camera			
Front Camera	2MP Front Camera		
Mechanical			
Dimension	369.35 x 221.5 x 67.3 mm	Weight	2.4kg
Cooling System	Fan Design		
IO Ports			
USB Port	1 x USB 2.0	SD Card Slot	1 x Micro SD Card Slot (Max to 2TB)
Video	2 x micro HDMI output	Audio	1x Speaker
LAN	1 x Giga LAN M8 LAN Connector		
Environment			
Operating Humidity	10% to 90% RH, non-condensing	Operating Temperature	-20°C to 60°C (AC mode), -10°C to 50°C (Battery mode)
Storage Temperature	-30°C to 70°C (-22°F to 158°F)	Shock	MIL-STD-810H Method 516.8 Procedure I
Vibration	MIL-STD-810H Method 514.8 Procedure I	IP rating	IP65
Certification			
Certification	CE, FCC		
Control			

Button	Left Side: 1x joystick 2x roller switch 1x 2 band toggle switch 4x button (front side) 1x control button (rear side) Right Side: 1x joystick 1x roller switch 5x button (front side) 1x power button 1x 2 band toggle switch 1x control button (rear side)		
Power			
Battery	11.4V, typ. 3500 mAh Lilon Rechargeable Internal Battery (3S1P) 11.4V, typ. 3500 mAh Lilon Rechargeable Secondary Battery (3S1P)	Power Rating	19V DC
Adapter	100-240V, 50-60Hz / 19V DC		
Security Function			
SOTI MobiControl	SOTI MobiControl Compliance		
Accessory			
Accessory	Adapter and Power Cord	Optional Accessory	Battery Charger (Optional) Stylus (Optional) shoulder strap(Optional)
Communication Link			
Antenna	2x 3dBi Antennas	Frequency	2.4GHz
Output Power	1W, Adjustable		

DIMENSIONS UNIT:MM



NOTE

- 1.This is a simplified drawing and some components are not marked in detail.
- 2.Please contact our sales representative if you need further product information.
- 3.All specifications are subject to change without prior notice.
- 4.The product shown in this datasheet is a standard model.For diagrams that contain customized or optional I/ O, please contact the Winmate Sales Team for more information.