

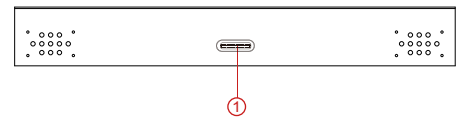
USB Type-C Display

12.1" (4:3)

Specifications

RoHS
COMPLIANT
2011/65/EU

Model Name	R12L100-POM2-C
Panel Size	12.1"
Active Display Area (mm)	245.76 (H) x 184.32 (V)
Resolution	1024x768
Brightness (cd/m ²)	500 (Typical)
Contrast Ratio	700:1 (Typical)
Viewing Angle (CR>=10 L/R/U/D)	-80~80 (H) ; -70~70 (V)
Display Colors	16.2M
Standard Input Signal	USB Type-C connector
Touch Screen	Projected Capacitive Touch(USB) Protection Glass (Optional)
Speakers (Optional)*	2 x Speaker
OSD	5 Keys: -, +, Power, Esc, Enter
Power Source	USB Type-C Alt mode Power source needs to support 5V/3A
Power Consumption	12W typical, Normal operation
Operating Temperature	0~50°C
Storage Temperature	-10~60°C
Accessories	1 x USB Type-C cable
Certifications	CE, FCC

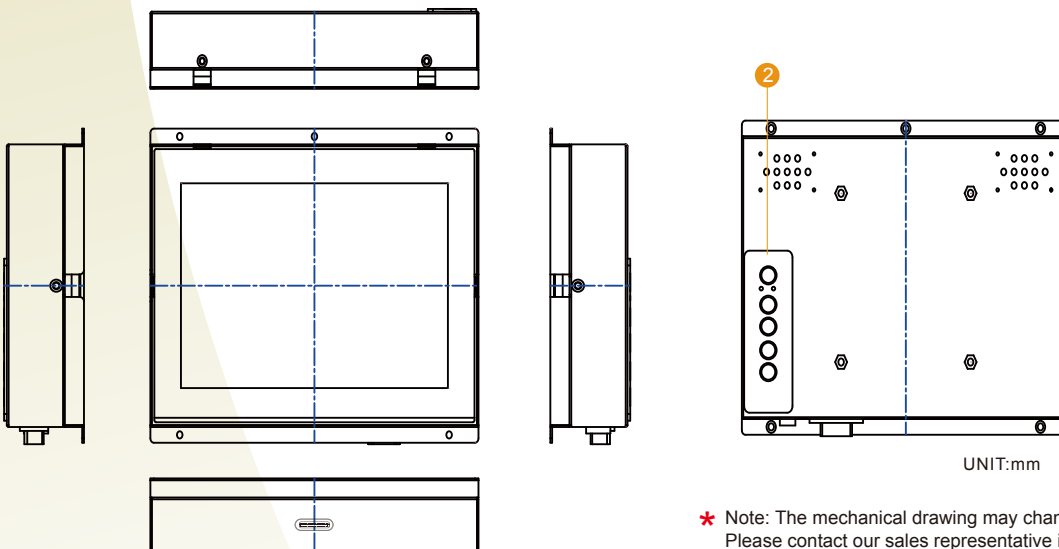


1. USB Type-C Connector
2. OSD Button

*Outside dimension and I/O will be different from standard.

*Note: If your order does not include the Audio/Speakers option, the digital input will not have voice.

Mechanical Drawing



* Note: The mechanical drawing may change when adding touch screen.
Please contact our sales representative if you need further product information.