

Full IP65 Flat Touch Monitor

15" (Stainless Design)



Specifications

| | | | | | |
|--------------------------------|--|--------|--------|------|--------|
| Model Name | R15L600-65A1FTE | | | | |
| Viewable Size Image | 15" | | | | |
| Active Display Area(mm) | 304.128 (H) x 228.096 (V) | | | | |
| Pixel Pitch(mm) | 0.297(H)x0.297(V) | | | | |
| Number of Pixels | 1024x768 | | | | |
| Contrast Ratio | 700:1(typ.) | | | | |
| Display Color | 16.2M(6bit+FRC) | | | | |
| Brightness(cd/m ²) | 400(typ.) | | | | |
| Viewing Angle(CR>=10) | -80~80 ; -60~80 | | | | |
| Synchronization Range | | | | | |
| Horizontal/Vertical | 31.5~60.0KHz/60~75Hz | | | | |
| Recommended Resolution | 1024x768@60Hz, 75Hz | | | | |
| Signal Connector | 15 pin D-Sub | | | | |
| I/O | 3 pin Power cable(IP65 connector); 10 pin VGA cable (IP65 connector); Optional 10 pin RS232 (IP65 connector) | | | | |
| Power Management | VESA DPMS Compliant | | | | |
| Plug & Play | VESA DDC 1/2B | | | | |
| Touch Screen | ELO 5w resistive | | | | |
| Optional video | Yes | | | | |
| Optional Temperature | -20~65°C | | | | |
| Certification | CE,FCC,RoHs | | | | |
| Stainless Material | CNS | JIS | ASTM | AISI | DIM |
| | 304 | SUS304 | S30400 | 304 | 1.4301 |

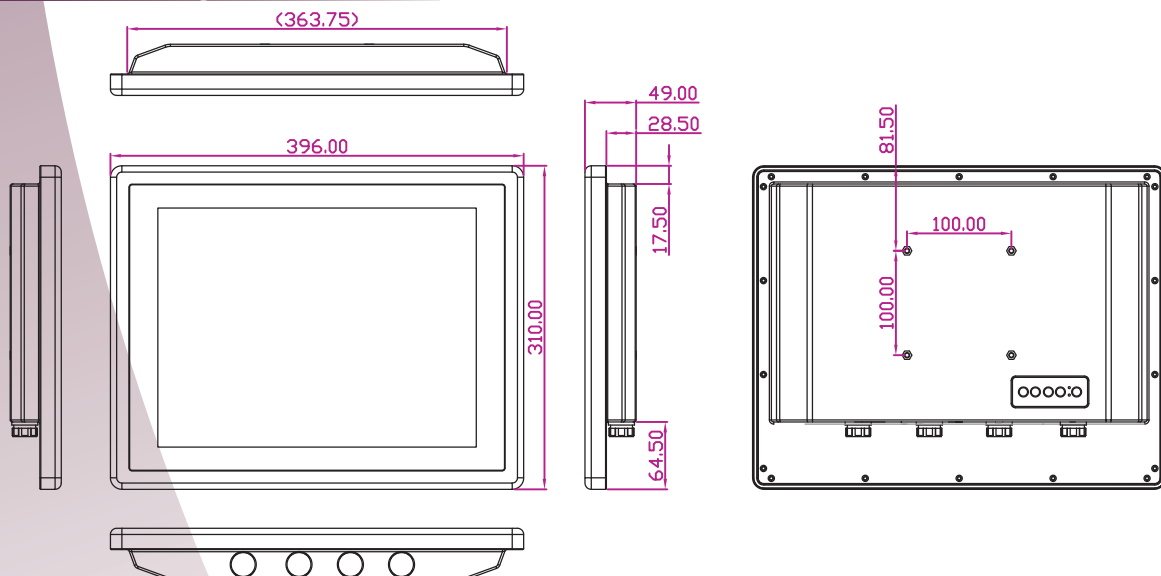
*Due to Panel material's deviation, different panel supplier will set different specific variance range to optical characteristics. The factors of time used, Lamp current, Ambient temperature will influence the optical measurements.



Features

- Designed with NEMA 4 (IP65) dust proof and water protection
- Robust and fanless design for reliable operation
- Fanless Cooling System and Ultra Low power consumption
- Stainless Housing suitable for food, and medical industries
- Special Flat Touch Design easy to maintain
- ELO 5W Resistive Touch (R15L600-65A1FTE)

Mechanical Drawing



UNIT:mm

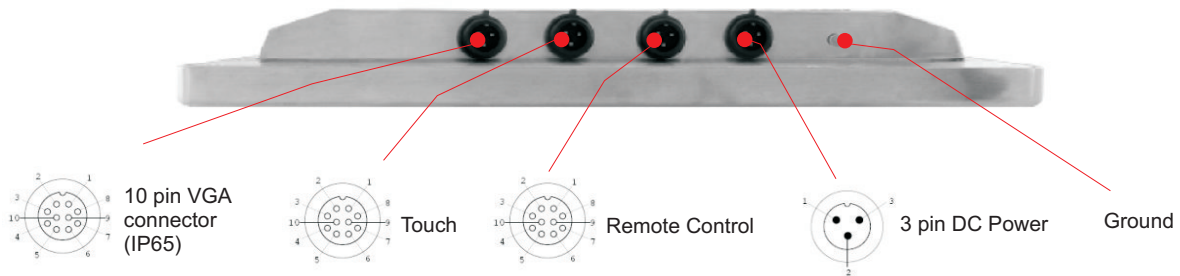
* Note: this is a simplified drawing and some components are not marked in detail. Please contact our sales representative if you need further product information.

| Rev. | Reasons | Revised Date |
|------|-------------|--------------|
| 1.1 | Spec Change | Apr-23-2013 |
| 1.2 | Spec Change | Nov-29-2013 |
| 1.3 | Spec Change | Dec-25-2013 |

Full IP65 Flat Touch Monitor

IO Layout

Bottom Side (I/O)

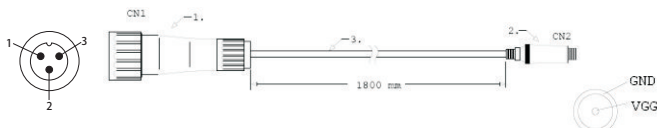


Cable List

| LCD | IP65 connector | PC side IO type |
|-----------------|----------------|-----------------|
| DC power | 3pin | Female(2.5 fai) |
| USB(Touch) | 10pin | Male(type A) |
| RS232(optional) | 10pin | Female(D-sub 9) |
| VGA | 10pin | Male(D-sub 15) |

IP65 Cable/Pin Define

DC Power



| Pin No. | Symbols | Color | Pin No. | Symbols | Color |
|---------|---------|-------|---------|---------|-------|
| CN1-1 | VCC | Red | CN2 | VCC | Red |
| CN1-3 | GND | Black | CN1 | GND | Black |
| CN1-2 | Shield | | Shield | | |

RS232



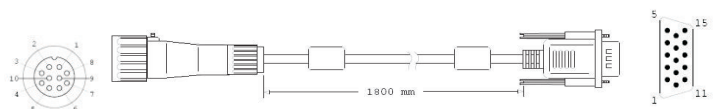
| Pin No. | Symbols | Color | Pin No. | Symbols | Color |
|---------|----------|--------|---------|----------|--------|
| CN1-1 | DCD-CON2 | Green | CN2-1 | DCD-CON2 | Green |
| CN1-2 | DSR-CON2 | Brown | CN1-6 | DSR-CON2 | Brown |
| CN1-3 | RXD-CON2 | Red | CN1-2 | RXD-CON2 | Red |
| CN1-4 | RTS-CON2 | Orange | CN1-7 | RTS-CON2 | Orange |
| CN1-5 | TXD-CON2 | Blue | CN1-3 | TXD-CON2 | Blue |
| CN1-6 | CTS-CON2 | White | CN1-8 | CTS-CON2 | White |
| CN1-7 | DTR-CON2 | Purple | CN1-4 | DTR-CON2 | Purple |
| CN1-8 | RI-CON2 | Yellow | CN1-9 | RI-CON2 | Yellow |
| CN1-9 | GND-CON2 | Black | CN1-5 | GND-CON2 | Black |
| CN1-10 | NC | | CN1-10 | NC | |

USB



| Pin No. | Symbols | Color | Pin No. | Symbols | Color |
|---------|---------|-------|---------|---------|-------|
| CN1-1 | VCC | Red | CN2-1 | VCC | Red |
| CN1-2 | D- | White | CN2-2 | D- | White |
| CN1-3 | D+ | Green | CN2-3 | D+ | Green |
| CN1-4 | GND | Black | CN2-4 | GND | Black |
| CN1-5 | Shield | | | | |

VGA



| CN1 | | | CN2 | | |
|---------|---------|--------|---------|---------|--------|
| Pin No. | Symbols | Color | Pin No. | Symbols | Color |
| 1 | R | Red | 1 | R | Red |
| 2 | R-GND | Black | 6 | R-GND | Black |
| 3 | G | Green | 2 | G | Green |
| 4 | G-GND | Black | 7 | G-GND | Black |
| 5 | B | Blue | 3 | B | Blue |
| 6 | B-GND | Black | 8 | B-GND | Black |
| 7 | SDA | Yellow | 12 | SDA | Yellow |
| 8 | HS | Orange | 13 | HS | Orange |
| 9 | VS | White | 14 | VS | White |
| 10 | SCL | Brown | 15 | SCL | Brown |

| Rev. | Reasons | Revised Date |
|------|-------------|--------------|
| 1.1 | Spec Change | Apr-23-2013 |
| 1.2 | Spec Change | Nov-29-2013 |
| 1.3 | Spec Change | Dec-25-2013 |