

# W05L100-EHT1

## 5.6" Multi-Touch Panel Mount Display



### KEY FEATURES

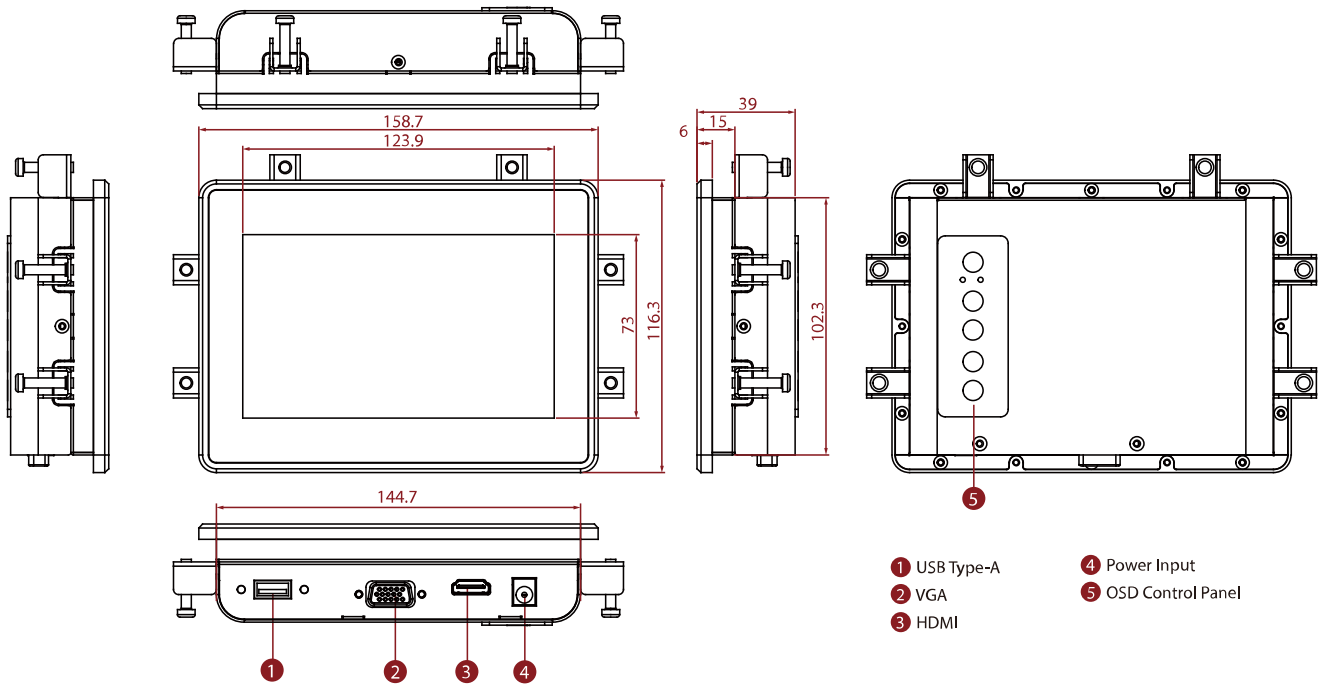
- 5.6", 1024 x 600
- VGA and HDMI input
- Panel mount
- VESA mount
- PCAP touch



### SPECIFICATIONS

Display	
<b>Resolution</b>	1024x600
<b>Contrast Ratio</b>	400:1
<b>Display Color</b>	256K Colors
<b>Active Area</b>	122.88x72.0 mm
<b>Size</b>	5.6 inches
<b>Panel Brightness</b>	300.0 nits
<b>View Angles</b>	40,40,20,30
<b>Touch / Glass</b>	Projected Capacitive Multi Touch Screen
Environment	
<b>Operating Humidity</b>	10% to 90% RH, Non-Condensing
<b>Storage Temperature</b>	-10°C to 60°C
<b>Operating Temperature</b>	0°C to 50°C
<b>IP rating</b>	Front IP65
Certification	
<b>Certification</b>	CE, FCC
IO Ports	
<b>USB Port</b>	1 x USB for Touch Screen
<b>Audio</b>	Audio line in (3.5mm) (Optional) 2 x Speaker (Optional)
<b>Video</b>	1 x VGA 1 x HDMI (Optional) 1 x DVI (Optional)
Mechanical	
<b>Dimension</b>	158.7 x 116.3 x 39 mm
<b>Enclosure</b>	Metal
<b>Mounting</b>	VESA Mount/ Panel Mount
<b>Cooling System</b>	Fanless Design
Accessory	
<b>Accessory</b>	1 x VGA cable 1 x HDMI cable 100~240V AC to DC Adapter Power Cord Manual VESA screws(Varies by product)
<b>Optional Accessory</b>	Remote Controller (Optional,Varies by product)
Power	
<b>Power Rating</b>	12V DC in
Control	
<b>Button</b>	5 Keys: -, +, Power, Esc, Enter

## DIMENSIONS UNIT:MM



## NOTE

1. This is a simplified drawing and some components are not marked in detail.
2. Please contact our sales representative if you need further product information.
3. All specifications are subject to change without prior notice.
4. The product shown in this datasheet is a standard model. For diagrams that contain customized or optional I/O, please contact the Winmate Sales Team for more information.