

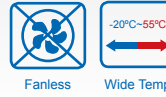
# Rugged Display



Model:W12L100-VMM9

## Product Features:

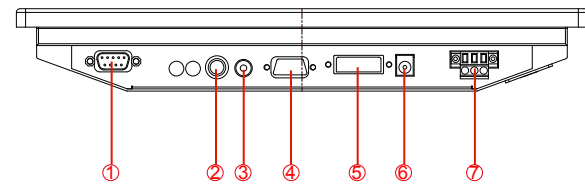
- High Quality 12.1" Wide panel, 1280 x 800 resolution, 400 nits
- 4 Wire resistive touch screen
- -20 ~ +55°C Wide Range Operating Temperature
- Anti-Corrosion housing with Fanless Design
- 9V ~ 36V DC Isolation Wide Range Power Input
- EN50155 Certified



## Product Specifications:

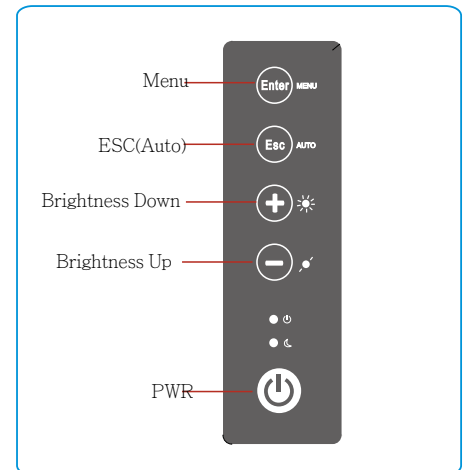
Display	Model Name	W12L100-VMM9
	Size	12.1"
	Resolution (pixels)	1280 x 800
	Number of Colors	262K colors (RGB 6bits)
	Brightness (cd/m <sup>2</sup> )	400
	Contrast Ratio	1000:1
	Viewing Angle	-88~88 (H) ; -88~88 (V)
	Active Area	261.12 (H) x 163.2 (V)
	Touch (optional)	4 wire resistive
	Input / Output	1 x RS-232 for Touch (Optional)
1 x S-Video (Optional)		
1 x Composite (Optional)		
1 x VGA		
1 x DVI-D (Optional)		
1 x DC Lockable input (Optional)		
Environment	1 x 9~36V DC Terminal Block (Default)	
	Operating Temperature	-20 ~55°C
	Storage Temperature	-30 ~70°C
	Humidity	10 ~ 95% non-condensing
	Shock	EN50155
	Vibration	EN50155
	EMC	CE, FCC ClassB, EN50155 Certified
Safety	Compliance with EN50155, MIL-STD 810F	
Mechanical	Dimension(W x H x D)	310 x 215 x 45mm
Packing List	R2A AD Board User's Manual Touch's Driver CD	

## I / O View:

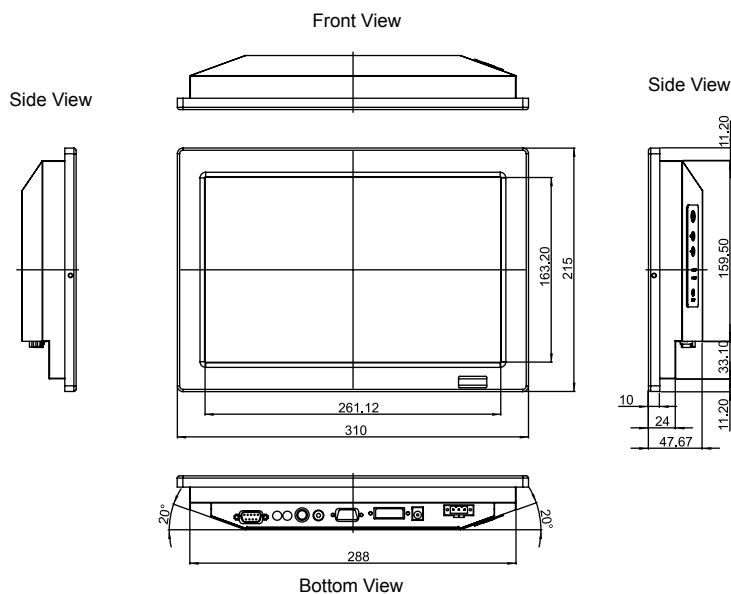


1. RS-232 for Touch(Optional)
2. S-Video(Optional)
3. Composite(Optional)
4. VGA
5. DVI-D(Optional)
6. DC Lockable input(Optional)
7. 9~36V DC Terminal Block(Default)

## Rear OSD Control Function:



## Drawing w / Mounting bracket:



Rev.	Reasons	Revised Date
1.5	Spec change	Mar.24.14