

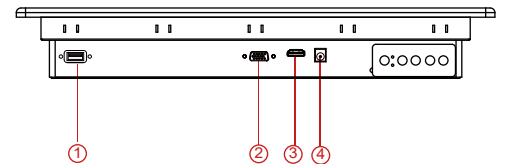
P-Cap Panel Mount LCD Front side IP65



15.6" (16:9) P-Cap LCD

Specifications

Model Name	W15L100-PPA4
Panel Size	15.6"
Active Display Area(mm)	344.16(H)x193.59(V)
Resolution	1920x1080
Brightness(cd/m ²)	300 (Typical)
Contrast Ratio	800:1 (Typical)
Viewing Angles(CR>=10)	-85~85(H) ; -85~85(V)
Display Colors	16.7M (8 bits/color)
Standard Input Signal	1 x VGA (D-sub 15)
Touch Screen	Projected Capacitive
Touch Interface	USB
Audio / Speakers (Optional)*	Audio line in (3.5mm) + Speaker x2
OSD	5 Keys: -, +, Power, Esc, Enter
Power Input	12V DC input (2.5ψ) with external AC-DC Adapter (100V~240V)
Power Consumption	25W typical, Normal operation
Operating temperature	0~50°C
Storage Temperature	-10~60°C
Accessories	Power AC-DC Adapter(100V~240V) VGA cable (1.8m) HDMI cable (2m)

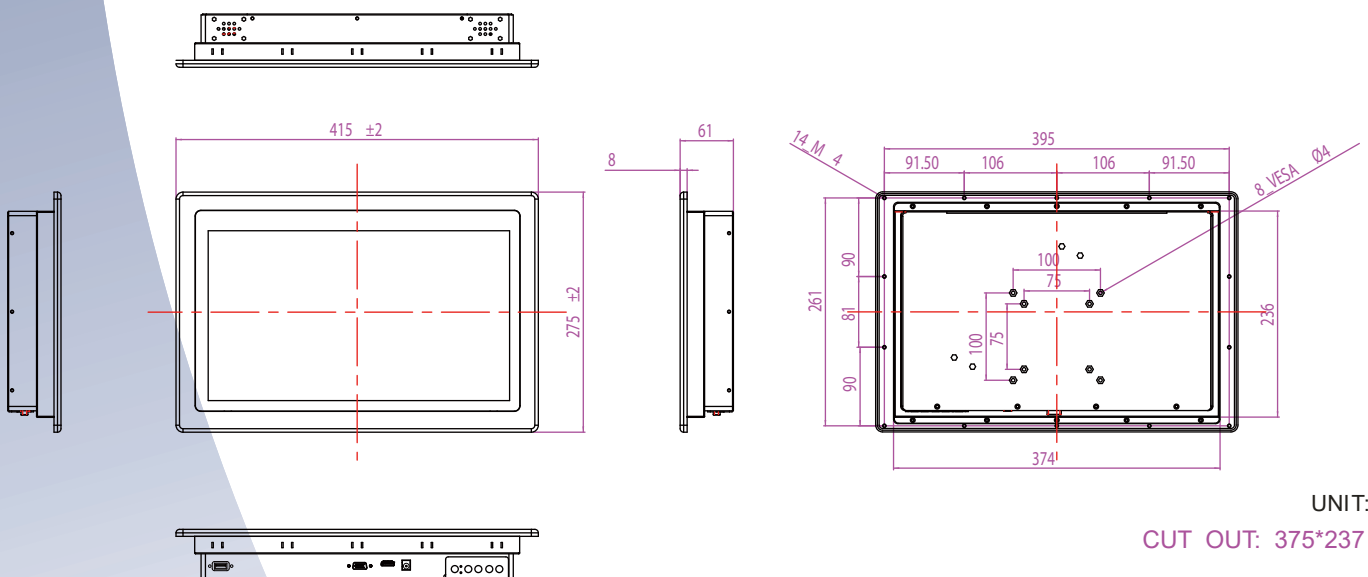


1. Touch
2. VGA
3. HDMI
4. 12V DC in

I/O Optional	
Optional 1*	1 x VGA (D-sub 15) 2 x HDMI (Type-A)* 1 x DVI-D

*Outside dimension and I/O will be different from standard

Mechanical Drawing



UNIT:mm

CUT OUT: 375*237 mm