

Stand Alone IP65 LCD

USB Type-C Display

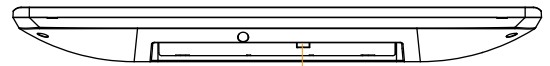
15.6" (16:9)

Specifications

RoHS
COMPLIANT
2011/65/EU

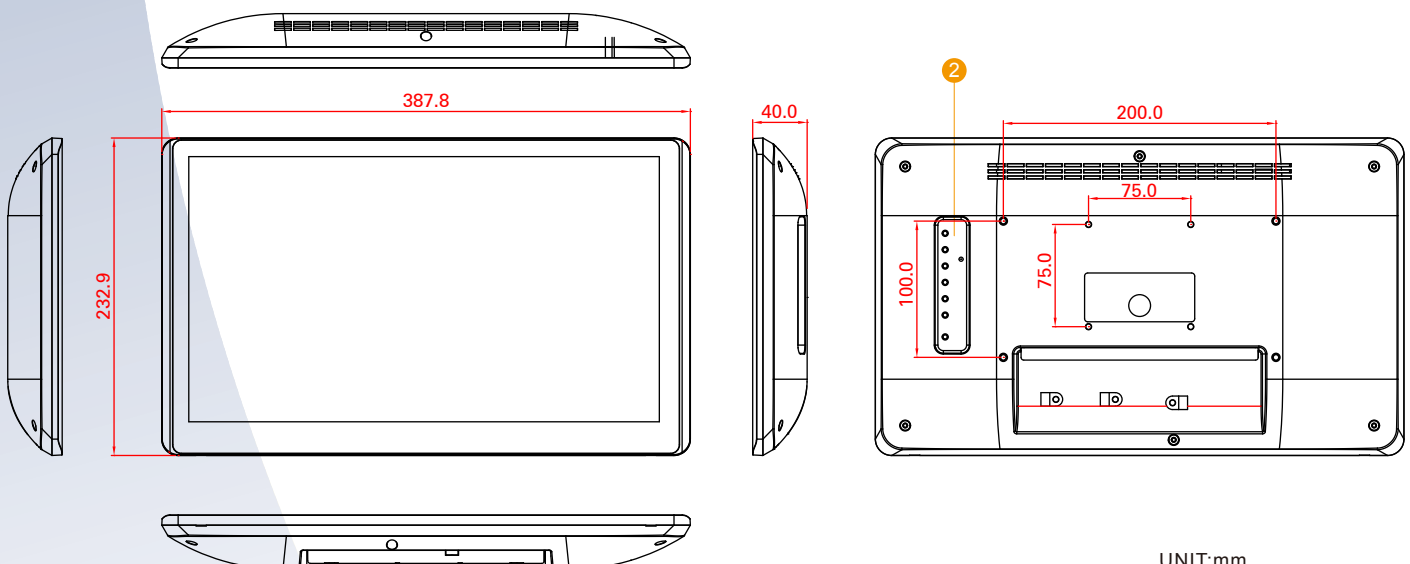
| | |
|--------------------------|---|
| Model Name | W15L600-PTA3-C |
| Panel Size | 15.6" |
| Active Display Area (mm) | 344.16 (H) x 193.59 (V) |
| Resolution | 1920 x 1080 |
| Contrast Ratio | 700:1 (Typical) |
| Display Colors | 16.2M |
| Brightness | 300 nits (Typical) |
| Viewing Angle (CR>=10) | -85~85(H) ; -85~85 (V) |
| Standard Input Signal | USB Type-C Connector |
| Touch Screen | Projected Capacitive Multi-touch (Default) or Protection Glass (non-touch) (Optional) |
| Speakers | 2 x 1W Speaker (Optional) |
| OSD | 7 Keys OSD Control |
| Power Source | USB Type-C Alt mode (5V/3A) |
| Power Consumption | 13W typical , Normal operation |
| Operating Temperature | 0~50°C |
| Storage Temperature | -10~60 °C |
| Accessories | 1 x USB Type-C cable |
| IP Rating | Front IP65 |
| Certifications | CE, FCC |

*Outside dimension and I/O will be different from standard.



1. USB Type-C Connector
2. OSD Button

Mechanical Drawing (without touch)



UNIT:mm

* Note: The mechanical drawing may change when adding touch screen.
Please contact our sales representative if you need further product information.