

Stand Alone IP65 LCD

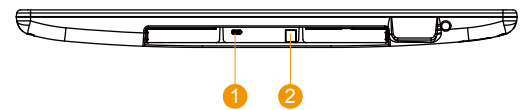
USB Type-C Display

18.5" (16:9)

Specifications



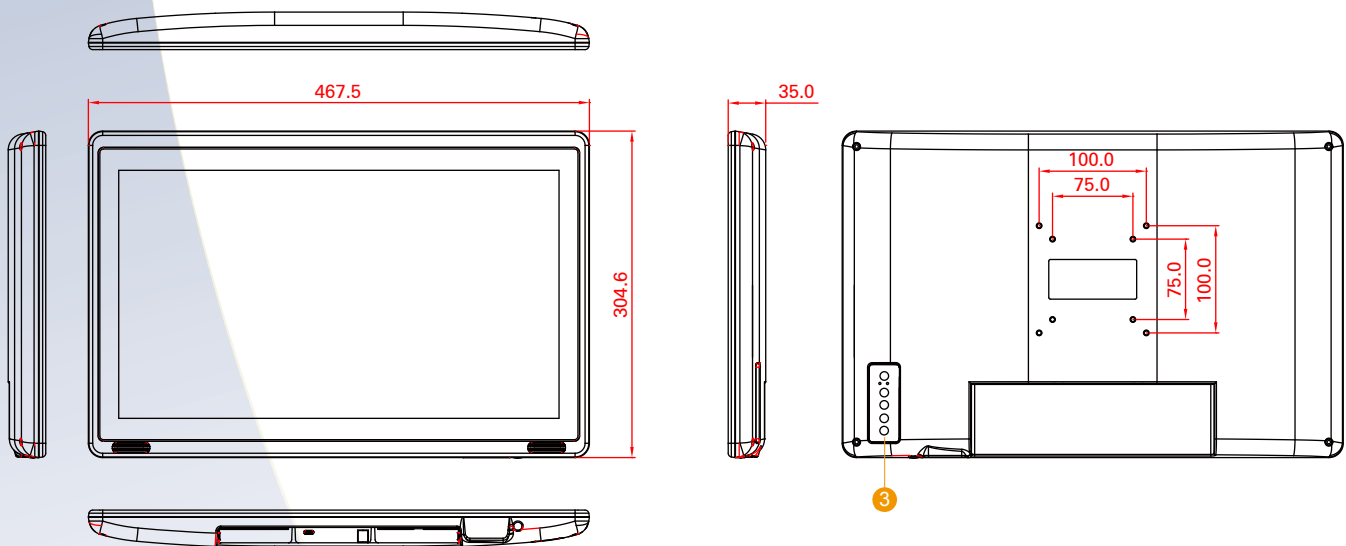
Model Name	W18L100-PTA1-C
Panel Size	18.5"
Active Display Area (mm)	409.8 (H) x 230.4 (V)
Resolution	1366 x 768
Contrast Ratio	1000:1 (Typical)
Display Colors	16.7M
Brightness	250 nits (Typical)
Viewing Angle (CR>=10)	-85~85(H); -80~80 (V)
Standard Input Signal	USB Type-C Connector
Touch Screen	Projected Capacitive Multi-touch (Default) or Protection Glass (non-touch) (Optional)
Speakers	2 x 1W Speaker (Optional)
OSD	5 Keys OSD Control
Power Source	12V DC Input (2.5Ø DC Jack) USB Type-C Alt mode (5V/3A)
Power Consumption	30W typical , Normal operation
Operating Temperature	0~50°C
Storage Temperature	-10~60 °C
Accessories	1 x USB Type-C cable
IP Rating	Front IP65
Certifications	CE, FCC



1. USB Type-C Connector
2. DC input
3. OSD Button

*Outside dimension and I/O will be different from standard.

Mechanical Drawing (without touch)



UNIT:mm

* Note: The mechanical drawing may change when adding touch screen. Please contact our sales representative if you need further product information.