



## K757



IP65



Fanless



WiFi



Webcam



MSR



Device Box

### Features

- 15.6" True-Flat Resistive or PCAP Touch
- Intel Skylake U Processor
- Front IP65
- Fanless and Silent
- WiFi + BT Available
- Webcam Available
- MSR Available
- Device Box (Smart IC Card Reader, RFID, Scanner, Line-out, Mic-in) Available



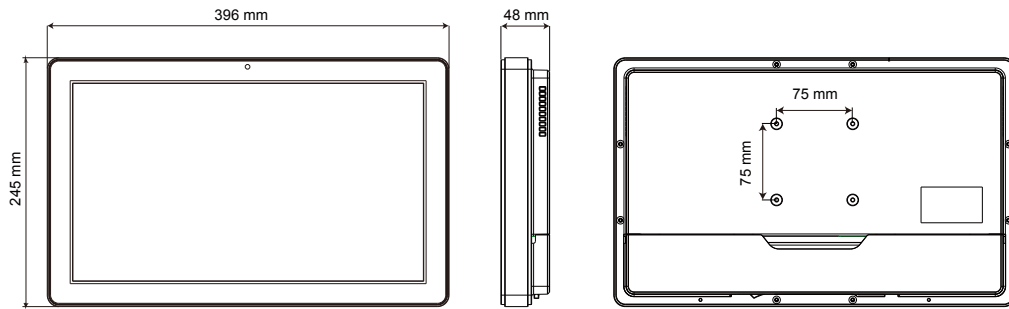
Reliability, functionality, accuracy, hygiene, performance efficiency and cost-effectiveness are all synonyms for hardware solutions when it comes to interactive information, digital signage, kiosks, and medical equipment. Whether looking for panel PC solutions for mission critical or non-critical environments, at Flytech, we understand the importance of providing the optimal panel PC system that suits an array of applications.

# K757

Multifunctional Touch Panel PC

**FLYTECH**

www.flytech.com



## Specification

|                           |                        |   |
|---------------------------|------------------------|---|
| <b>System</b>             | Motherboard            | D86U  |
|                           | Processor              | Intel Skylake U CPU Celeron 3955U, i3-6100U, i5-6300U   |
|                           | Chipset                | CPU Integrated  |
|                           | System Memory          | 1x DDR3L 1600MHz SO-DIMM up to 8GB  |
|                           | Storage Device         | 1x 2.5" SATA HDD or SSD or SSD module   |
|                           | Graphic Engine         | Intel HD Graphics   |
| <b>LCD Touch Panel</b>    | LCD Size               | 15.6" (16:9 ratio)  |
|                           | Brightness             | 220 nits  |
|                           | Resolution             | 1366 x 768  |
|                           | Touch Screen           | True-Flat Resistive or PCAP Touch   |
| <b>Expansion</b>          | Mini PCI-E Slot        | 1   |
| <b>External I/O Ports</b> | USB                    | 4x USB3.0, 2x USB2.0  |
|                           | Serial Port            | 4x RJ48 (with DB9 convert cable)  |
|                           | LAN                    | 2x RJ45   |
|                           | Audio Jack             | 1x Line-out, 1x Mic-in  |
|                           | VGA                    | 1x DB15   |
|                           | DVI                    | 1x DVI-D (Option)   |
| <b>Audio</b>              | Internal Speaker       | 2x 2W   |
| <b>Power</b>              | Power Supply           | 65W / 19V   |
|                           | Wide Range Power Input | 12-48V (i3, i5 CPU only)  |
|                           | Connector              | 4-pole DIN (with latch)   |
| <b>Peripheral</b>         | Built-in Webcam        | 2MP   |
|                           | WiFi + BT              | 802.11 b/g/n WLAN card + BT 4.0 (either 2nd LAN or WiFi + BT) (Option)  |
|                           | MSR                    | 3-Track MSR (USB) (Option)  |
|                           | Device Box             | Smart IC Card Reader, RFID, Scanner, Line-out, Mic-in (Option)  |
| <b>Certificate</b>        | EMC & Safety           | FCC Class A, CE Mark, LVD   |
|                           | Medical                | EN 60601-1, UL 60601-1 3rd  |
| <b>Environment</b>        | Ventilation            | Fanless   |
|                           | Dust & Water Proof     | Front IP65  |
|                           | Operating Temperature  | 0°C ~ 35°C (32°F ~ 95°F) (Still Air)  |
|                           | Storage Temperature    | -20°C ~ 60°C (-4°F ~ 140°F)   |
|                           | Humidity               | 20% ~ 85% RH non-condensing   |
| <b>Dimensions (WxDxH)</b> |                        | 396 x 48 x 245 mm (15.6" x 1.9" x 9.6")   |
| <b>Weight</b>             |                        | 4.5 kg (9.9 lbs)  |
| <b>Mounting</b>           |                        | VESA Mount 75 x 75  |
| <b>OS Supported</b>       |                        | Windows 7 (64bit), POSReady 7 (64bit), Windows 8.1 (64bit),<br>Windows Embedded 8.1 Industry (64bit), Windows 10 (64bit),<br>Windows 10 IoT Enterprise (64bit), Linux |

### Taiwan - Headquarters

No.168, Sing-ai Rd., Neihu District,  
Taipei City 11494, Taiwan, R.O.C.  
Tel: 886-2-8791-4988  
Fax: 886-2-8791-4966  
E-mail: sales@flytech.com.tw  
www.flytech.com

### U.S.A. - California

728 Charcot Ave, San Jose,  
CA 95131, U.S.A  
Tel: 1-510-257-5180  
Fax: 1-510-257-5181  
E-mail: sales@flytech.com

### China - Shanghai

3F Building 39, No. 333 Qin Jiang Rd.,  
Shanghai 200233, P.R.China  
Tel: 86-21-5426-1555  
Fax: 86-21-5426-1001  
E-mail: sales@flytech.com.cn  
www.flytech.com.cn

### China - Hong Kong SAR

Room 01, 6/F, Block A, Tonic Industrial  
Centre, 26 Kai Cheung Road, Kowloon  
Bay, Kowloon, Hong Kong.  
Tel: 852-3525-5800  
Fax: 852-2751-7447  
E-mail: sales@flytech.com.hk