



K758



IP65



Fanless*



WiFi



Webcam



MSR



Device Box

Features

- 18.5" True-Flat Resistive or PCAP Touch
- Intel Bay Trail or Haswell Processor
- Front IP65
- WiFi + BT Available
- Webcam Available
- MSR Available
- Device Box (Smart IC Card Reader, RFID, Scanner, Line-out, Mic-in) Available

*Fanless is Available for Intel Bay Trail

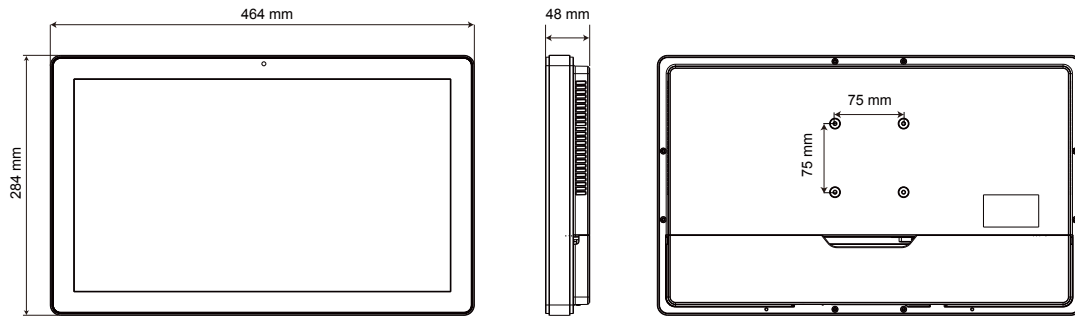


Reliability, functionality, accuracy, hygiene, performance efficiency and cost-effectiveness are all synonyms for hardware solutions when it comes to interactive information, digital signage, kiosks, and medical equipment. Whether looking for panel PC solutions for mission critical or non-critical environments, at Flytech, we understand the importance of providing the optimal panel PC system that suits an array of applications.

K758

Multifunctional Touch Panel PC

FLYTECH
www.flytech.com



Specification

| | | | |
|---------------------------|---|--|--|
| System | Motherboard | D36* | D66 |
| | Processor | Intel Bay Trail CPU Celeron J1900 2.4GHz | Intel Haswell CPU (max. 45W) |
| | Chipset | CPU Integrated | Intel Q87 (AMT 9.0) |
| | System Memory | 1x DDR3L 1066/1333MHz SO-DIMM up to 8GB | 1x DDR3 1333/1600MHz SO-DIMM up to 8GB |
| | Storage Device | 1x 2.5" SATA HDD or SSD or SSD module | 1x 2.5" SATA HDD or SSD or SSD module |
| | Graphic Engine | Intel HD Graphics | Intel HD Graphics |
| LCD Touch Panel | LCD Size | 18.5" (16:9 ratio) | 18.5" (16:9 ratio) |
| | Brightness | 250 nits | 250 nits |
| | Resolution | 1366 x 768 | 1366 x 768 |
| | Touch Screen | True-Flat Resistive or PCAP Touch | True-Flat Resistive or PCAP Touch |
| Expansion | Mini PCI-E Slot | 1 | 1 |
| External I/O Ports | USB | 1x USB3.0, 4x USB2.0 | 2x USB3.0, 4x USB2.0 |
| | Serial Port | 4x RJ48 (with DB9 convert cable) | 4x RJ48 (with DB9 convert cable) |
| | LAN | 2x RJ45 | 2x RJ45 |
| | Audio Jack | 1x Line-out | 1x Line-out, 1x Mic-in |
| | VGA | 1x DB15 | 1x DB15 |
| | DVI | 1x DVI-D (Option) | 1x DVI-D (Option) |
| Audio | Internal Speaker | 2x 2W | 2x 2W |
| Power | Power Supply | 65W / 19V | 120W / 19V |
| | Wide Range Power Input | 12-48V | 12-48V |
| | Connector | 4-pole DIN (with latch) | 4-pole DIN (with latch) |
| Peripheral | Built-in Webcam | 2MP | 2MP |
| | WiFi + BT | 802.11 b/g/n WLAN card + BT 4.0 (Option) | 802.11 b/g/n WLAN card + BT 4.0 (Option) |
| | MSR | 3-Track MSR (USB) (Option) | 3-Track MSR (USB) (Option) |
| | Device Box | Smart IC Card Reader, RFID, Scanner, Line-out, Mic-in (Option) | Smart IC Card Reader, RFID, Scanner, Line-out, Mic-in (Option) |
| Certificate | EMC & Safety | FCC Class A, CE Mark, LVD | FCC Class A, CE Mark, LVD |
| Environment | Ventilation | Fanless | Fan |
| | Dust & Water Proof | Front IP65 | Front IP65 |
| | Operating Temperature | 0°C ~ 35°C (32°F ~ 95°F) (Still Air) | 0°C ~ 35°C (32°F ~ 95°F) (Still Air) |
| | Storage Temperature | -20°C ~ 60°C (-4°F ~ 140°F) | -20°C ~ 60°C (-4°F ~ 140°F) |
| | Humidity | 20% ~ 85% RH non-condensing | 20% ~ 85% RH non-condensing |
| Dimensions (WxDxH) | 464 x 48 x 284 mm (18.3" x 1.9" x 11.2") | | |
| Weight | 6.8 kg (15 lbs) | | |
| Mounting | VESA Mount 75 x 75 | | |
| OS Supported | Windows 7 (32/64bit), Windows 8.1 (32/64bit), Windows 10 (64bit), Linux | | |

Taiwan - Headquarters

No.168, Sing-ai Rd., Neihu District,
Taipei City 11494, Taiwan, R.O.C.
Tel: 886-2-8791-4988
Fax: 886-2-8791-4966
E-mail: sales@flytech.com.tw
www.flytech.com

U.S.A. - California

728 Charcot Ave, San Jose,
CA 95131, U.S.A
Tel: 1-510-257-5180
Fax: 1-510-257-5181
E-mail: sales@flytech.com

China - Shanghai

3F Building 39, No. 333 Qin Jiang Rd.,
Shanghai 200233, P.R.China
Tel: 86-21-5426-1555
Fax: 86-21-5426-1001
E-mail: sales@flytech.com.cn
www.flytech.com.cn

China - Hong Kong SAR

Room 01, 6/F, Block A, Tonic Industrial
Centre, 26 Kai Cheung Road, Kowloon
Bay, Kowloon, Hong Kong.
Tel: 852-3525-5800
Fax: 852-2751-7447
E-mail: sales@flytech.com.hk