

Rugged Panel PC

G-WIN®

Model:R08ID3S-VMT1

Product Features:

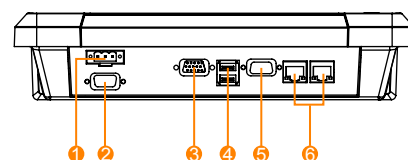
- Intel® Atom D2550 1.86 GHz Processor Fanless Design
- High Quality 8.4" Panel, 800 x 600 resolution
- Full IP65 Dust / water resistant Protection (Except I/O parts)
- Aluminum Housing with Anti-Corrosion Treatments
- Anti-Shock and Vibration Standard according to MIL810F & IEC60068-2-27
- 4 Wire Resistive Touchscreen / Anti-Reflection Protection Glass (Optional)
- 802.11b/g Wireless LAN with Antenna (Optional)
- Wide Range 9 to 36V DC Input Acceptable
- Compliance With EN50155

Product Specifications:

Display	Model Name	R08ID3S-VMT1	
	Size	8.4"	
	Resolution (pixels)	800 x 600	
	Number of Colors	262,144 (6bits/color)	
	Brightness (cd/m ²)	400 (typ.)	
	Contrast Ratio	600 :1 (typ.)	
	Viewing Angle	-75 ~ 75 (H) ; -70 ~ 60 (V)	
	Active Area	170.4 (H) x 127.8 (V)	
System	Touch (optional)	4 wire / 5 wire resistive	
	Processor	Intel® Atom D2550 1.86 GHz Processor	
	Chipset	Intel® NM10 Chipset	
	BIOS	AMI 16Mbit Flash	
	Memory	1 x SODIMM, Max 4GB DDR3 800/1066	
	Ethernet	Broadcom BCM57780 GbE Controller	
	Storage	Mini PCIe SSD	
	Expansion Slot	1 x Mini PCIe	
Input / Output	Wireless (Optional)	1 x Mini PCIe base Wireless LAN card with SMA antenna	
	Back Panel I/O Port	2 x RJ-45 (10/100/1000 Mbps)	
		1 x VGA(DB-15)	
		1 x DC-in Jack (Phoenix type)	
		2 x USB 2.0	
		1 x RS232/422/485, 1 x RS232	
		WLAN antenna SMA in top (Optional)	
		Environment	Operating Temperature
Storage Temperature			-30 deg.C to 70 deg.C
Humidity	10% to 95% (non condensing)		
Shock*	Operating:30g for 18ms, 300m/s ²		
Vibration*	Operating: 1.60/1.96/2.18 g rms for XYZ / 5-500Hz		
Power Input	9~36V DC in (Phoenix type)		
Power Consumption	40W Max. Backlight & High CPU Load		
Dimensions (W x L x H)	277 mm x 219.5 mm x 59.7 mm		
Mechanical			
Driver OS Support	Windows 7 embedded / Windows XP embedded		
Certifications	CE/FCC ClassB, MIL810F / IEC60068-2-27 for Vibration / Shock		
Packing List	ID30 Atom SBC User's Manual		
Product Optional Items	G-Win User's Manual		
	(ID30) SBC Manual & Driver CD		
	Mounting Bracket and Kits	One robust bracket with locking handle (Can adjust from -5 deg.C to 90 deg.C)	
	Sunlight Readable	N/A	
	Anti-reflective Glass	3mm (Replace touch)	
	WLAN	Mini PCIe base Wireless LAN card with SMA antenna	
GPS	USB interface, MTK chip		

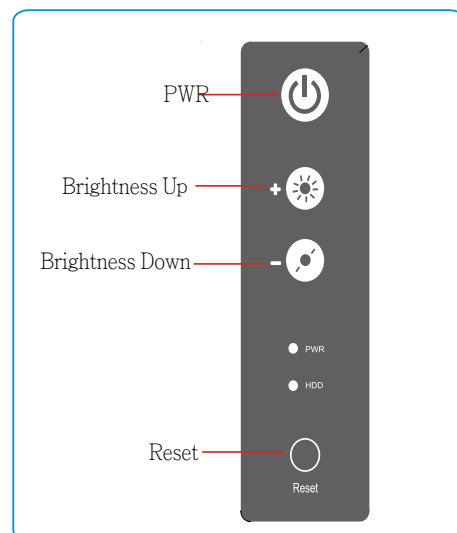


I / O View:

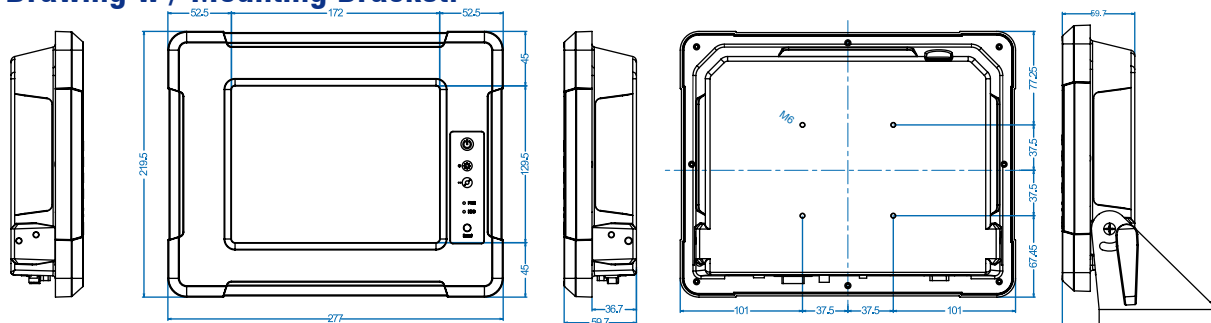


1. DC Terminal Block (Default)
2. COM4
3. VGA
4. USB
5. COM1
6. LAN

Front OSD Control Function:



Drawing w / Mounting Bracket:



SIDE VIEW

FRONT VIEWS

IDE VIEW

VIEW

WinMATE

www.winmate.com.tw

Rev.	Reasons	Revised Date
1.4	Spec change	Mar-20-14
1.5	Spec change	May-08-14
1.6	Spec change	May-23-14

Rugged Solution