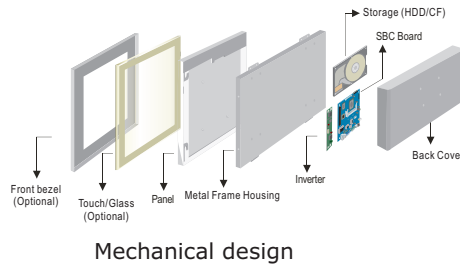


# R10IB3S-PMT2 10.4" Panel PC (Intel® Celeron® Bay Trial-M N2930 1.83GHz)

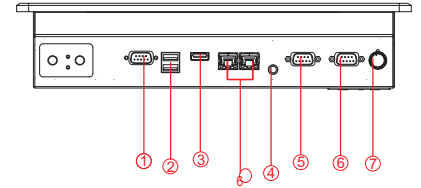
Mechanical Design



Panel Mount (6 mm front bezel)

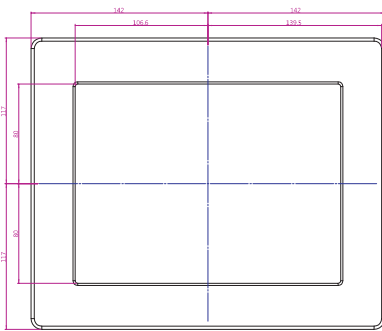


Mechanical design

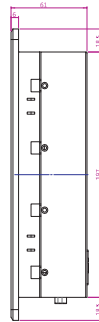


- 1. RS232/422/485 (default RS232)
- 2. USB
- 3. HDMI
- 4. 2xRJ45
- 5. DC-in 12V
- 6. RS232/422/485 (Optional)
- 7. Brightness/Adjustment

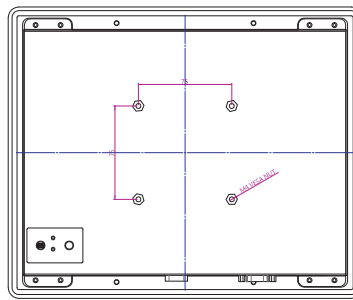
FRONT VIEW



Dimensions  
SIDE VIEW

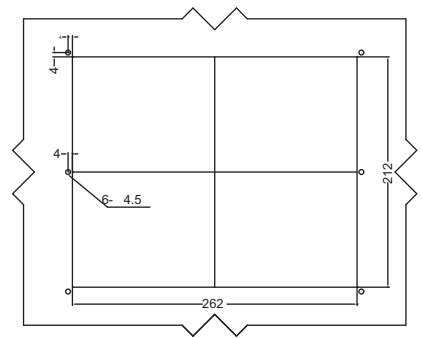


BACK VIEW



Fully Integrated I/O

Cut Out



BOTTOM VIEW

ALL DIMENSION ARE  $\pm 0.5$

CUT OUT DIMENSION (262\*212mm)

- \* Total dimension: 284 x 234 x 82 mm
- \* Cutout dimension: 261 x 202 mm
- \* Measurements shown in mm
- \* Tolerance of all dimensions is shown as follow 0~30 mm  $\pm 0.1$  mm, 30~50 mm  $\pm 0.15$  mm, 50~120 mm  $\pm 0.2$  mm, above 120 mm  $\pm 0.25$  mm
- \* Note: this is a simplified drawing and some components are not marked in detail. Please contact our sales representative if you need further product information.

## Specifications

### System :

- CPU : Intel® Celeron® Bay Trial-M N2930 1.83GHz
- Memory Slot : DDR3 1066 MHz SO-DIMM Slot, Max. 8GB
- System Chipset : Intel ATOM SoC Integrated
- IDE/SATA : 1 x SATA II
- LAN : Intel WG82574L GbE LANx2
- Audio Codec : Realtek ALC886 HD Audio Codec

### Panel Spec :

- Size/Type : 10.4" TFT
- Resolutions : 1024 x 768
- Brightness : 350 cd/m<sup>2</sup> (typ.)
- Contrast Ratio : 1200 : 1 (typ.)
- Viewing Angle : -88~88(H); -88~88(V)
- Max. Colors : 16.2M(8bits)

### Input / Output :

- Serial Ports : 1 x RS-232, 1 x RS-232/422/485
- USB Ports : 1 x USB 3.0, 1 x USB 2.0
- Ethernet : 2 x RJ45-10/100/1000 Mbps
- HDMI : 1 x HDMI
- Power : 1 x DC-in Power Jack(+12V)

### Environment Considerations :

- Operating Temperature : 0 deg.C to 45 deg.C
- Operating Humidity : 30% to 90% (non condensing)

### Expansion Slot :

- 2 x Mini PCIe (1 for WiFi, 1 for SATA SSD)

### OS BSP / Driver Support :

- Support Windows Embedded 8\* / Windows Embedded 7
- \*For Windows Embedded 8, this panel PC supports the Metro UI, but does not support the Snap View feature

### Power Specifications :

- Power Input : 12V DC IN (Lockable Power Jack)
- Power Consumption : 35W (typ.)(Max.backlight & high CPU load)

### Accessories :

- External Adapter : 110~230V Ac-in Power Adapter

### Order Options :

Mechanical : Panel Mount	Storage : 2.5" HDD/ mSATA
Touch : 5-Wires Resistive(Optional) AR Glass (Optional)	RAM : DDR3 1066 Max 8GB
(A customized housing is needed if you have demands of SAW/IR/IT/SC touch)	OS : Windows Embedded 8 / Windows Embedded 7



Rev.	Reasons	Revised Date
1.0	First release	Apr.01.14
1.1	Spec change	Apr.15.14

Note: All Specifications are subject to change without prior notice!

Revised Date:04/15/2014