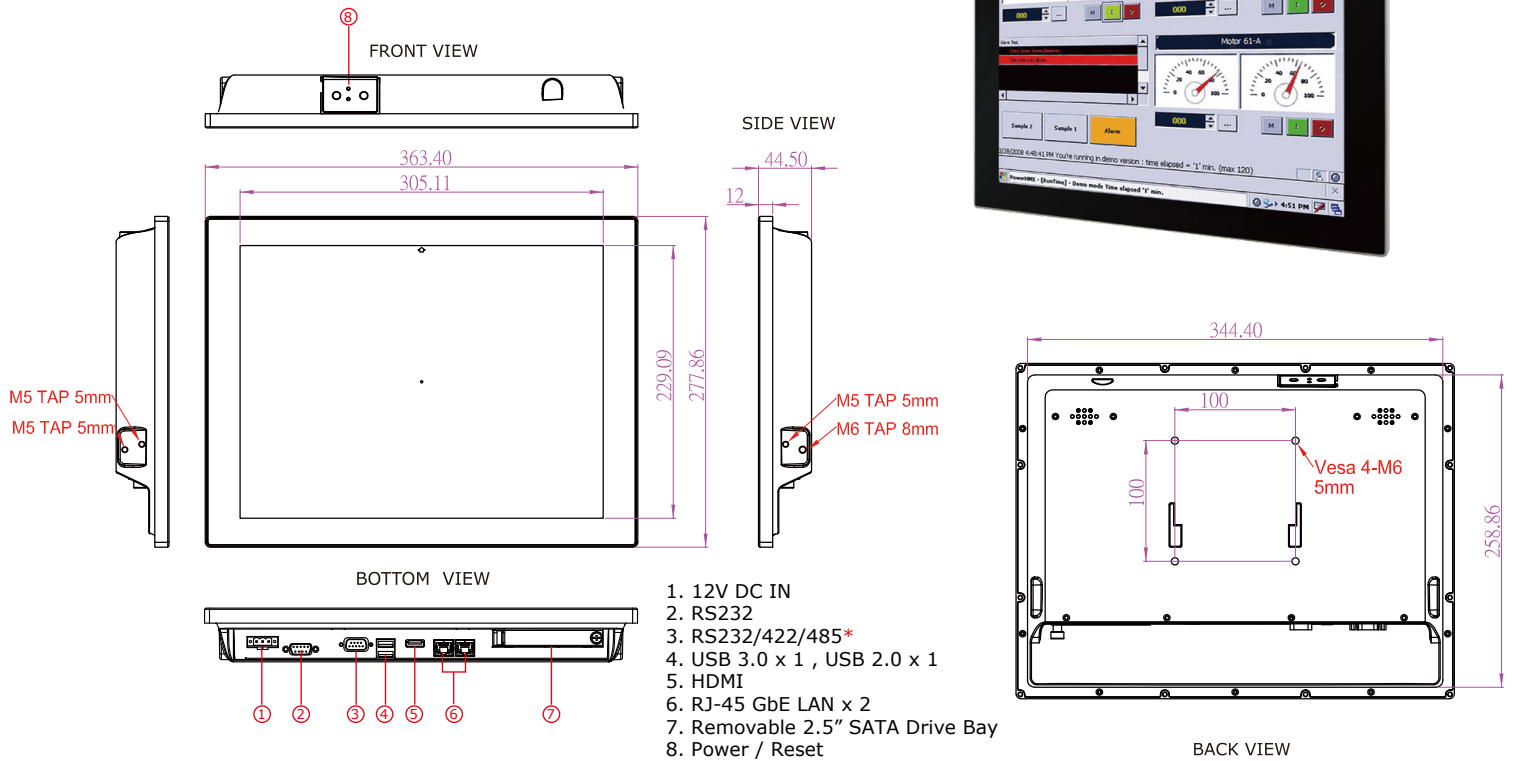


15" Flat Panel PC - R15IB3S-PCC3

Mechanical Design

- 15" 1024 x 768 Resolution with P-Cap Multi-touch Screen
- Low-Power System with Intel® Celeron® N2930 Processor
- Fanless Cooling System and Ultra-low Power Consumption
- Removable 2.5" SATA Drive Bay
- Front IP 66 Water and Dust Proof



1. 12V DC IN
2. RS232
3. RS232/422/485*
4. USB 3.0 x 1, USB 2.0 x 1
5. HDMI
6. RJ-45 GbE LAN x 2
7. Removable 2.5" SATA Drive Bay
8. Power / Reset

* Default RS232



Specifications

System :

- Processor : Intel® Celeron® Bay Trail-M N2930 1.83GHz
- System Chipset : Intel® ATOM SoC Integrated
- System Memory : 4GB DDR3L-1600 SODIMM, Max 8GB
- Storage : 500GB 2.5" SATA III HDD (Removable)
- Second Storage : 32/64/128GB mSATA SSD (Optional)
- LAN : Dual Intel® WG82574L GbE LAN

Input / Output :

- Serial Ports : 1 x RS232, 1 x RS232/422/485*
- USB Ports : 1 x USB 3.0
1 x USB 2.0
- Ethernet : 2 x RJ 45-10/100/1000 Mbps
- HDMI : 1 x HDMI Out * Default RS232

Display Spec :

- Size/Type : 15.0" TFT
- Resolutions : 1024x768
- Brightness : 250cd/m² (typ.)
- Contrast Ratio : 700 : 1 (typ.)
- Viewing Angle : -80~80(H); -70~70(V)
- Max Colors : 16.2M/262K
- Touch : Projective-Capacitive Touch (up to 4 points)
ELO Resistive 5 Wire Touch (Optional)

Power Specifications :

- Power Input : 12V DC IN

Mechanical Specification :

- Cooling System : Fanless design
- Mounting : VESA Mount(100x100mm)
- Dimension (W x H x D) : 363.40 x 277.86 x 44.50 (mm)

Environment Considerations :

- Operating Temperature : -10deg.C to 50deg.C
- Operating Humidity : 10% to 95% (non condensing)

Security Support :

- Trusted Platform Module (TPM 1.2)

OS/BSP Driver Support :

- Optional Operating System : Windows Embedded Standard 7
Windows 7 Pro for embedded Systems
Windows Embedded 8 Standard
Windows Embedded 8.1 Industry Pro

Accessories :

- External Adapter : 110~230V AC-in Power Adapter



Rev.	Reasons	Revised Date
1.0	new release	Nov-27-2014
1.1	change I/O	Jan-19-2015
1.1	add IP 66	Jan-30-2015

Note: All Specifications are subject to change without prior notice!

Revised Date:01/30/2015