

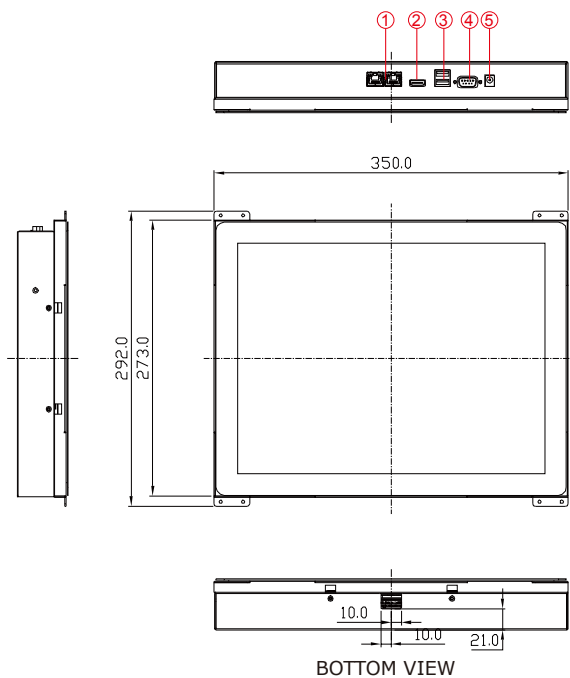
R15IK3S-POC3 15" P-CAP Open Frame Panel PC (Intel® 7th Generation Core™ i5 Platform)

Mechanical Design

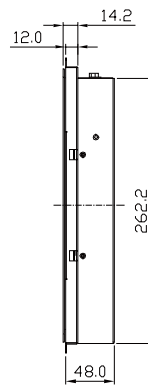
- 15" 1024 x 768, 250 nits, 700: 1
- Intel® Core i5-7200U 2.5 GHz (turbo to 3.1 GHz)
- Slim-line design in open-frame housing
- Multi Touch P-Cap flat design
- Windows 10 IoT Enterprise operating system
- 12V DC IN with power jack
- Suitable for KIOSK applications
- Housing opening for speaker installation



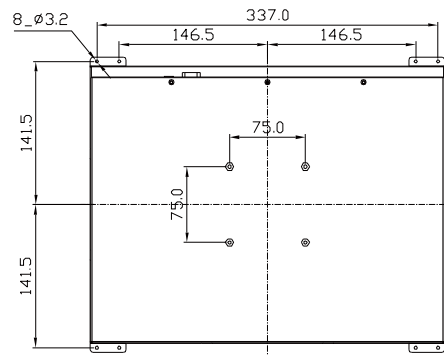
FRONT VIEW



SIDE VIEW



BACK VIEW



1. 2 x LAN
2. HDMI
3. 1, USB3.0, 1 x USB2.0
4. RS232/422/485
5. 12V DC-in

* Measurements shown in mm

Specifications

System

- CPU : Intel® Core i5-7200U 2.5 GHz (turbo to 3.1 GHz)
- System Chipset : Intel® SoC Integrated
- System Memory : DDR4 2133 SO-DIMM (Max. 16GB)
- Storage : 64GB M.2 Key SATA III (Options up to 256GB)
- LAN : Intel GIGABIT-LAN Controller I211AT + PHY I219LM

Input / Output

- Serial Ports : 1 x RS232/422/485*
 - USB Ports : 1 x USB 3.0, 1 x USB 2.0
 - Ethernet : 2 x RJ45-10/100/1000 Mbps
 - HDMI : 1 x HDMI
 - Power : 1 x DC-in Power Jack(+12V)
- *Default setting:RS232

Power Specifications

- Power input : 12V DC
- Power Consumption : 30W (typ.)(Max.backlight & high CPU load)

Expansion Slot

- 2 x M.2 (1 for SSD, 1 for wifi/WWAN module)

Panel Spec

- Size/Type : 15" TFT
- Resolution : 1024x768
- Brightness : 250 nits (typ.)
- Contrast Ratio : 700:1 (typ.)
- Viewing Angle : -80~80(H);-70~70(V)
- Max. Colors : 16.7M (8bits)

Accessories

- External Adapter : 110~240V AC Power Adapter

Environment Considerations

- Operating Temperature : 0° C to +50° C
- Operating Humidity : 10% to 90% (non-condensing)

Order Options

- RAM : DDR4 2133 SO-DIMM (Max. 16GB)
- Storage : 2.5" HDD/ SSD
- OS : Windows 10 IoT Enterprise

