

# Stainless Panel PC

(Intel® Core i7 Platform)

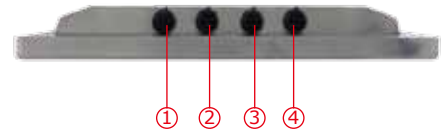
Stainless Flat Touch Panel PC

MODEL #: R15IV3S-65A1FTP

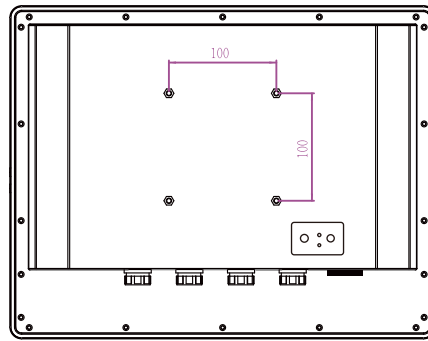
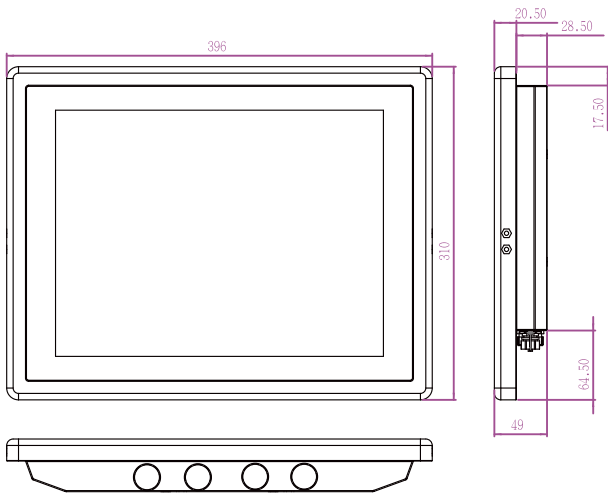
Mechanical Design



- Features**
- Designed with NEMA 4 (Full IP65) dust proof and water protection
  - Robust and fanless design for reliable operation
  - Fanless Colling System and Ultra Low power consumption
  - Support Intel Core i7 processor
  - Stainless Housing suitable for food, and medical industries
  - Special Flat Touch Design easy to maintain
  - Projective Capacitive Touch ( R15IV3S-65A1FTP)



1. Power (12V DC in)
2. COM
3. LAN
4. 2 x USB



\* Note: this is a simplified drawing and some components are not marked in detail. Please contact our sales representative if you need further product information.

## System Specifications

### TFT Characteristics :

- Resolutions : 1024 x 768
- Brightness : 400 cd/m<sup>2</sup> (typ.)
- Contrast Ratio : 700 : 1(typ.)
- Viewing Angles : -80~80(H);-60~80(V)
- Max Colors : 16.2M

### Accessories :

- External Power Supply 90W w/power cord

### Mechanical Specification :

- Cooling System : Fanless design
- Dimension(W x H x D) : 396 x 310 x 49(mm)

### System Specifications :

- Processor : Intel® Core i7-3517UE 1.7GHz
- BIOS : AMI 16Mbit Flash
- System Chipset : Intel® HM76
- Memory Slot : 1x DDR3 SO-DIMM 1333/1600 MHz, max 8GB
- Audio : Realtek ALC886 HD Audio Codec
- SATA : 2 x SATA II
- Expansion Slot : 1 x Mini PCIe (for SATA SSD) ; 1 x Mini PCIe (For wireless Module)
- Certification : CE, FCC, RoHS

\* A customized housing is needed if you would like to have the PCI expansion.

### Environment Considerations :

- Operating Temperature : -20°C ~60°C
- Operating Humidity : 30% to 90% (non condensing)

### Input/ Output Connectors :

- Ethernet LAN : 1 x RJ45-10/100/1000 Mbps
- COM : 1 x RS232(Optional RS422/RS485)
- USB : 2 x USB Type-A Receptacle
- Power : 1 x 12VDC

### Power Specifications :

- Power Input : 12V DC IN (Lockable Power Jack)
- Power Consumption : 35W (typ.)(Max.backlight & high CPU load)

### Order Options :

SBC	PANEL PC
RAM : SO DIMM DDR3 1GB /2GB /4GB	Mechanical : Stainless Chassis
Storage : 2.5" HDD/SSD/mSATA	Touch : Projective Capacitive Touch (Optional)
	OS : Windows XPE(Optional) Windows 7 embedded

Rev.	Reasons	Revised Date
1.0	First release	July-26-2013
1.1	Spec Change	Sep-12-2013
1.2	Spec Change	Nov-29-2013



Note: All Specifications are subject to change without prior notice!

Revised Date:11/29/2013