

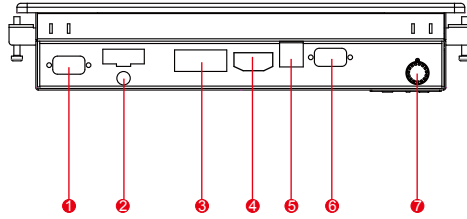
# R19IH3S-PPA1 19" P-CAP Panel PC (Intel® 4<sup>th</sup> Generation Core™ i5 Platform)

Mechanical Design

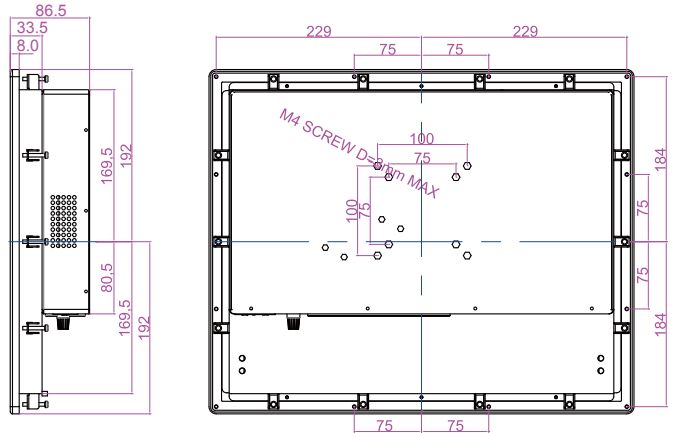
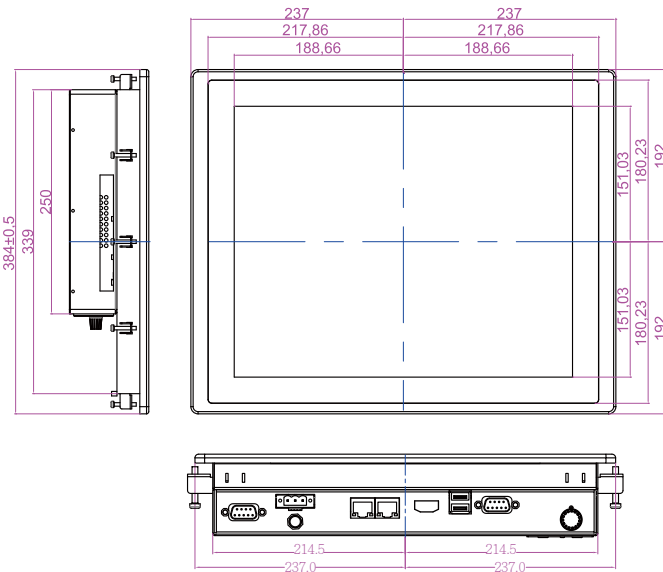


Real Flat Panel Mount (IP65 front side)

## Fully Integrated I/O



1. RS232
2. 12V DC IN
3. LAN x 2
4. HDMI
5. USB3.0 x 2
6. RS232(Optional 422/485)
7. Brightness Adjustment Knob



CUT OUT DIMENSION : 432\*343 mm

- \* Measurements shown in mm
- \* Tolerance of all dimensions is shown as follow 0~30 mm ± 0.1 mm, 30~50 mm ± 0.15 mm, 50~120 mm ± 0.2 mm, above 120 mm ± 0.25 mm
- \* Note: this is a simplified drawing and some components are not marked in detail.
- \* Please contact our sales representative if you need further product information.

## Specifications

### System :

- Processor : Intel® 4<sup>th</sup> Generation Core™ i5-4200U 1.6GHz
- System Chipset : Intel® QM87 Chipset
- System Memory : 1 x DDR3L 1333/1600 SO-DIMM (Default 4GB Max 8GB)
- Storage : 64GB mSATA SSD
- LAN : Intel® Ethernet Controller I211-AT + Intel® Gigabit Ethernet PHY I218-LM
- Audio : Realtek ALC886 HD Audio Codec

### Input / Output :

- Serial Ports : 1 x RS232(Optional 422/485)  
1 x RS232
- USB Ports : 2 x USB 3.0
- Ethernet : 2 x RJ 45-10/100/1000 Mbps
- VGA : 1 x VGA (female)
- HDMI : 1 X HDMI

### Power Specifications :

- Power Input : 12V DC IN
- Power Consumption : 80W (Max backlight & High CPU load)

### Accessories

- External Adapter : 110~230V Ac-in Power Adapter

### Panel Spec

- Size/Type : 19" TFT
- Resolutions : 1280 x 1024
- Brightness : 350 cd/m<sup>2</sup> (typ.)
- Contrast Ratio : 1000 : 1 (typ.)
- Viewing Angle : -85~85(H); -80~80(V)
- Max. Colors : 16.7M (8 bits/colors)
- Touch Screen : Projective Capacitive multi-touch

### Mechanical Specification :

- Cooling System : Fanless Design
- Mounting : VESA Mount (75x75mm, 100x100mm)
- Dimension (W x H x D) : 474 x 384 x 86.5 (mm)
- Cut out Dimension : 432 x 343 (mm)

### Environment Considerations :

- Operating Temperature : 0 deg.C to 50deg.C
- Operating Humidity : 30% to 90% (non condensing)

### OS Support

- Window Embedded Std. 7
- Window 7 PRO for Embedded System
- Window Embedded 8.1 Industry Pro



Rev.	Reasons	Revised Date
1.0	First release	Nov-26-12

Note: All Specifications are subject to change without prior notice!

Revised Date:04/02/2015