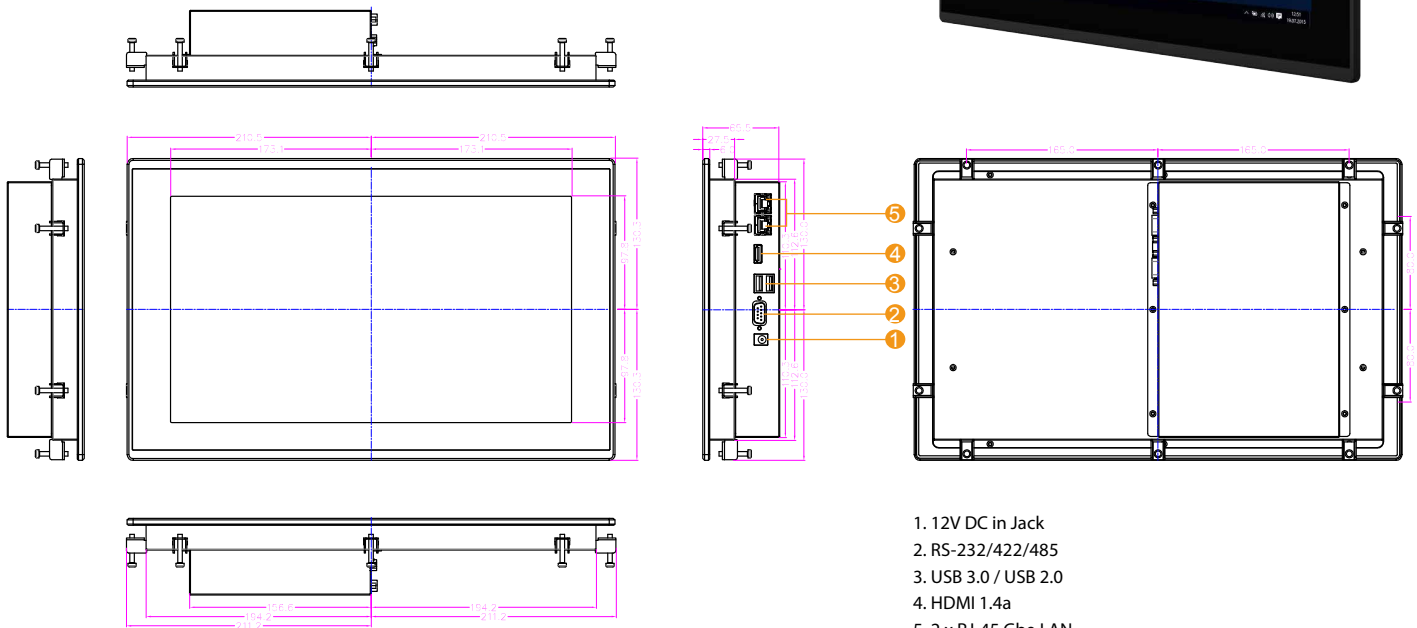


Winmate E-Series HMI

15.6" E-Series HMI with Bay Trail Platform

W15IB3S-EHA2

- 15.6" 1366 x 768 Resolution
- P-cap Multi-touch screen
- Front IP65 Water and Dust Proof
- Dual Gigabit Ethernet
- Fanless cooling system and Ultra-low power consumption



1. 12V DC in Jack
2. RS-232/422/485
3. USB 3.0 / USB 2.0
4. HDMI 1.4a
5. 2 x RJ-45 Gbe LAN

Specifications

System

- Processor : Intel® Celeron® Bay Trail-M N2930 1.83GHz
- System Chipset : Intel® ATOM SoC Integrated
- System Memory : 2GB DDR3L 1066/1333 SO-DIMM (optional 4 GB)
- Storage : 64GB mSATA SSD
- LAN : Dual Intel® WG82574L GbE LAN
- Security : Trusted platform module (TPM 1.2)

Input / Output :

- USB Ports : 1 x USB 2.0 , 1 x USB 3.0
- COM port : 1 x RS232/422/485
- Ethernet : 2 x RJ45, 10/100/1000
- HDMI : 1 x HDMI 1.4a

Software Support

- Watchdog SDK

Power Specifications :

- Power Input : 12V DC INjack
- Power Consumption : 23W (typ.)

Display Spec :

- Size/Type : 15.6" TFT (Wide screen)
- Resolutions : 1366 x 768
- Brightness : 400 cd/m (typ.)
- Contrast Ratio : 500 : 1 (typ.)
- Viewing Angle : -70~70(H); -50~60(V)
- Max Colors : 16.7M (8bit)
- Touch : Projective-Capacitive Touch

Mechanical Specification :

- Cooling System : Fanless design
- Mounting : Mounting clips x 10
- Dimension (WxHxD) : 421 x 260.6 x 65.5 (mm)

Environment Considerations :

- Operating Temperature : 0 deg.C to 50 deg.C
- Operating Humidity : 10% to 90% (non-condensing)
- IP Rating : Front IP65

OS/BSP Driver Support :

- Operation System : Windows 10 IoT
Windows Embedded 8.1 Industry
Windows Embedded 8 Standard
Windows Embedded Standard 7

