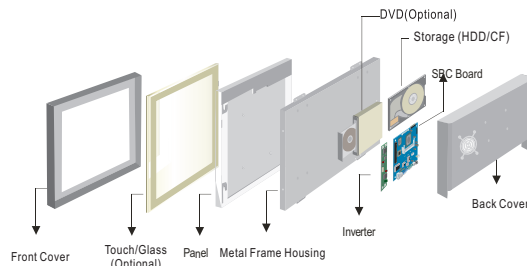


# W15IB7T-CHA2 15.6" Panel PC (Intel Celeron Bay Trial-M N2930 1.83GHz)

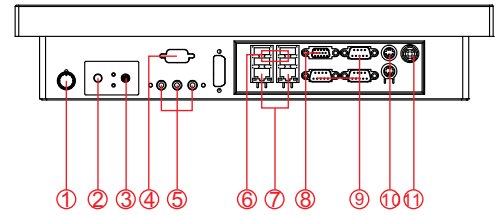
## Mechanical Design



Chassis

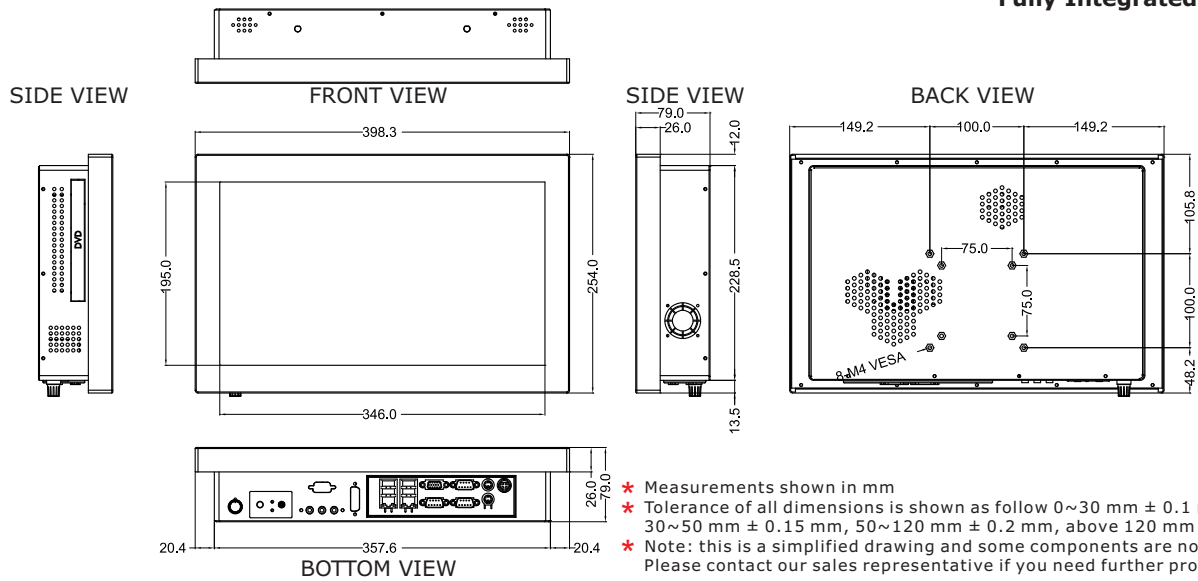


Mechanical design



1. Brightness Adjustment Knob
2. Power On Button
3. Power Reset Button
4. RS-232 Conn. (Optional)
5. Audio Jack
6. USB (1 X 3.0, 3 X 2.0)
7. LAN
8. VGA
9. RS-232 Conn.
10. PS/2
11. DC-in Power

## Dimensions



## Fully Integrated I/O

## Specifications

### System :

- CPU : Intel® Celeron Bay Trial-M N2930 1.83GHz
- Memory Slot : DDR3L -1066 MHz SO-DIMM x 2 Slot (MAX to 8GB)
- System Chipset : Intel Atom SoC Integrated
- IDE/SATA : 1 x SATA II
- LAN : Intel WG82574L GbE LANx2
- Audio Codec : Realtek ALC886 HD Audio Codec

### Input / Output :

- Serial Ports : 2 x RS232, 1 x RS232/422/485
  - USB Ports : 1 x USB 3.0, 3 x USB 2.0
  - Keyboard / Mouse : 2 x PS/2
  - Ethernet : 2 x RJ45-10/100/1000 Mbps
  - VGA : 1 x VGA (female)
  - Audio : Line-out, Line-in, Mic in
- Default setting:RS232

### Expansion Slot :

- 2 x Mini PCIe (1 for WiFi, 1 for 3G Module)
- 1 x eDP by 2x10 DF-13 connector

\* A customized housing is needed if you would like to have the PCI expansion.

### Power Specifications :

- Power Input : 12V DC IN (Lockable Power Jack)
- Power Consumption : 43W (typ.)(Max.backlight & high CPU load)

### Accessories :

- External Adapter : 110~230V Ac-in Power Adapter

### Panel Spec :

- Size/Type : 15.6" TFT LCD
- Resolutions : 1366 x 768
- Brightness : 300 cd/m<sup>2</sup> (typ.)
- Contrast Ratio : 500 : 1(typ.)
- Viewing Angles : -85~85(H);-80~80(V)
- Max Colors : 16.7M

### Environment Considerations :

- Operating Temperature : 0 deg.C to 45 deg.C
- Operating Humidity : 30% to 90% (non condensing)

### OS BSP / Driver Support :

- Support Windows 7 embedded / Windows 8 embedded

### Order Options :

Mechanical : Chassis

Touch : 5 Wire Resistive(Optional)

(A customized housing is needed if you have demands of SAW/IR/IT/SC touch)

Storage: **2.5" HDD mSATA SSD**  
 RAM : DDR3 1066 Max 8 GB  
 OS : Windows 7 embedded / Windows 8 embedded (Optional)

Rev.	Reasons	Revised Date
1.0	First release	July-07-13

