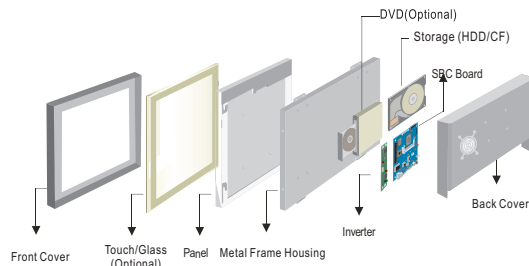


W15IH7T-CHA2 15.6" Panel PC (Intel® 4th Generation Core™ i5 Platform)

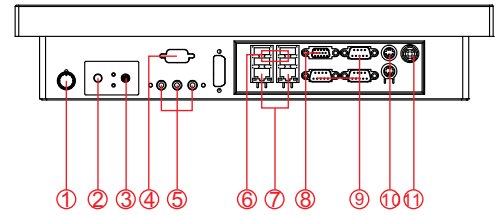
Mechanical Design



Chassis

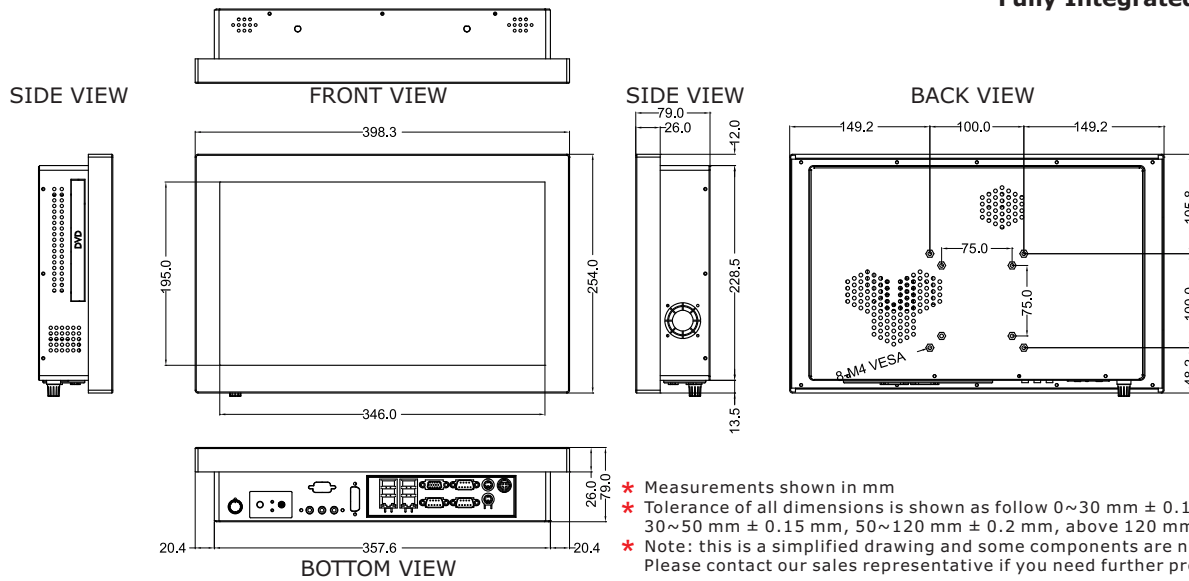


Mechanical design



- | | |
|-------------------------------|-----------------|
| 1. Brightness Adjustment Knob | 7. LAN |
| 2. Power On Button | 8. VGA |
| 3. Power Reset Button | 9. RS-232 Conn. |
| 4. RS-232 Conn. (Optional) | 10. PS/2 |
| 5. Audio Jack | 11. DC-in Power |
| 6. USB | |

Dimensions



Fully Integrated I/O

- * Measurements shown in mm
- * Tolerance of all dimensions is shown as follow 0~30 mm ± 0.1 mm, 30~50 mm ± 0.15 mm, 50~120 mm ± 0.2 mm, above 120 mm ± 0.25 mm
- * Note: this is a simplified drawing and some components are not marked in detail. Please contact our sales representative if you need further product information.

Specifications

System :	
• CPU	: Intel 4th® Generation Core™ i5
• Memory Slot	: 2 x SO-DIMM, Max 16GB DDR3L 1333/1600
• System Chipset	: Intel® QM87 Chipset
• IDE/SATA	: 2XSATA III
• LAN	: Intel® Ethernet Controller I211-AT + Intel® Gigabit Ethernet PHY I218-LM
• Audio Codec	: Realtek ALC886 HD Audio Codec

Panel Spec :	
• Size/Type	: 15.6" TFT LCD
• Resolutions	: 1366 x 768
• Brightness	: 300 cd/m ² (typ.)
• Contrast Ratio	: 500 : 1(typ.)
• Viewing Angles	: -85~85(H);-80~80(V)
• Max Colors	: 16.7M

Input / Output :	
• Serial Ports	: 2 x RS232, 1 x RS232/422/485
• USB Ports	: 4 x USB 3.0
• Keyboard / Mouse	: 2 x PS/2
• Ethernet	: 2 x RJ45-10/100/1000Mbps
• VGA	: 1 x VGA (female)

● Default setting:RS232

Environment Considerations :	
• Operating Temperature	: 0 deg.C to 45 deg.C
• Operating Humidity	: 30% to 90% (non condensing)

OS BSP / Driver Support :	
• Support	Windows 7 / Windows 8 Embedded

Power Specifications :	
• Power Input	: 12V DC IN (Lockable Power Jack)
• Power Consumption	: 58W (typ.)(Max.backlight & high CPU load)

Order Options :	
Mechanical : Chassis	Storage: 2.5" HDD/2.5" SSD
Touch : 5 Wires Resistive(Optional)	RAM : DDR3L 1333/1600 MAX 16GB
	OS : Windows 7 / Windows 8 Embedded

(A customized housing is needed if you have demands of SAW/IR/IT/SC touch)

Accessories :	
• External Adapter	: 110~230V Ac-in Power Adapter

Rev.	Reasons	Revised Date
1.0	First release	Jul-16-14
1.1	Spec change	Jul-21-14

