

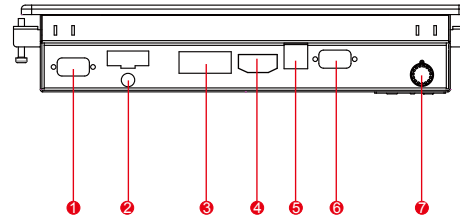
W22IH3S-PPA3 21.5" P-CAP Panel PC (Intel® 4th Generation Core™ i5 Platform)

Mechanical Design

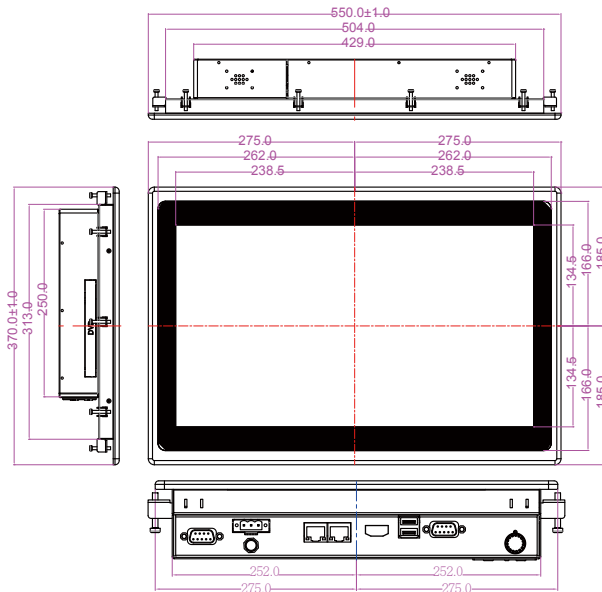


Real Flat Panel Mount (IP65 front side)

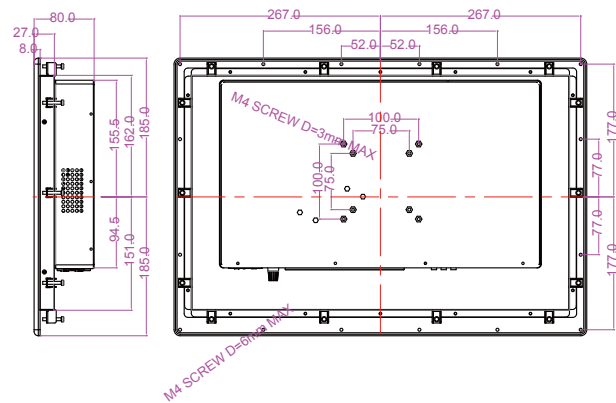
Fully Integrated I/O



1. RS232
2. 12V DC IN
3. LAN x 2
4. HDMI
5. USB3.0 x 2
6. RS232(Optional 422/485)
7. Brightness Adjustment Knob



CUT OUT: 507*317 mm



- * Measurements shown in mm
- * All Dimensions are ±
- * Note: this is a simplified drawing and some components are not marked in detail. Please contact our sales representative if you need further product information.

Specifications

System :

- Processor : Intel® 4th Generation Core™ i5-4200U 1.6GHz
- System Chipset : Intel® QM87 Chipset
- System Memory : 1 x DDR3L 1333/1600 SO-DIMM (Default 4GB Max 8GB)
- Storage : 64GB mSATA SSD
- LAN : Intel® Ethernet Controller I211-AT + Intel® Gigabit Ethernet PHY I218-LM
- Audio : Realtek ALC886 HD Audio Codec

Input / Output :

- Serial Ports : 1 x RS232(Optional 422/485)
1 x RS232
- USB Ports : 2 x USB 3.0
- Ethernet : 2 x RJ 45-10/100/1000 Mbps
- VGA : 1 x VGA (female)
- HDMI : 1 X HDMI

Power Specifications :

- Power Input : 12V DC IN
- Power Consumption : 80W (Max backlight & High CPU load)

Accessories

- External Adapter : 110~230V Ac-in Power Adapter

Panel Spec :

- Size/Type : 21.5" TFT
- Resolutions : 1920x1080
- Brightness : 250 (typ.)
- Contrast Ratio : 1000:1 (typ.)
- Viewing Angle : 170 (H); 160 (V)
- Max. Colors : 16.7M (8bits/color)
- Touch Screen : Projective Capacitive multi-touch

Mechanical Specification :

- Cooling System : Fanless Design
- Mounting : VESA Mount (75x75mm,100x100mm)
- Dimension (W x H x D) : 550 x 370 x 80 (mm)
- Cut out Dimension : 507 x 317 (mm)

Environment Considerations :

- Operating Temperature : 0 deg.C to 50deg.C
- Operating Humidity : 30% to 90% (non condensing)

OS Support

- Window Embedded Std. 7
- Window 7 PRO for Embedded System
- Window Embedded 8.1 Industry Pro



Rev.	Reasons	Revised Date
1.0	First release	Apr-02-15

Note: All Specifications are subject to change without prior notice!

Revised Date:04/02/2015