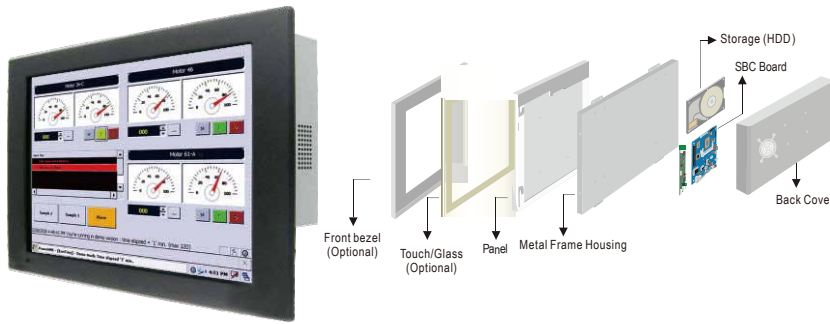


W24IK7T-PMA2 23.8" Panel PC (Intel 7th Generation Core i3/i5/i7 Processor)

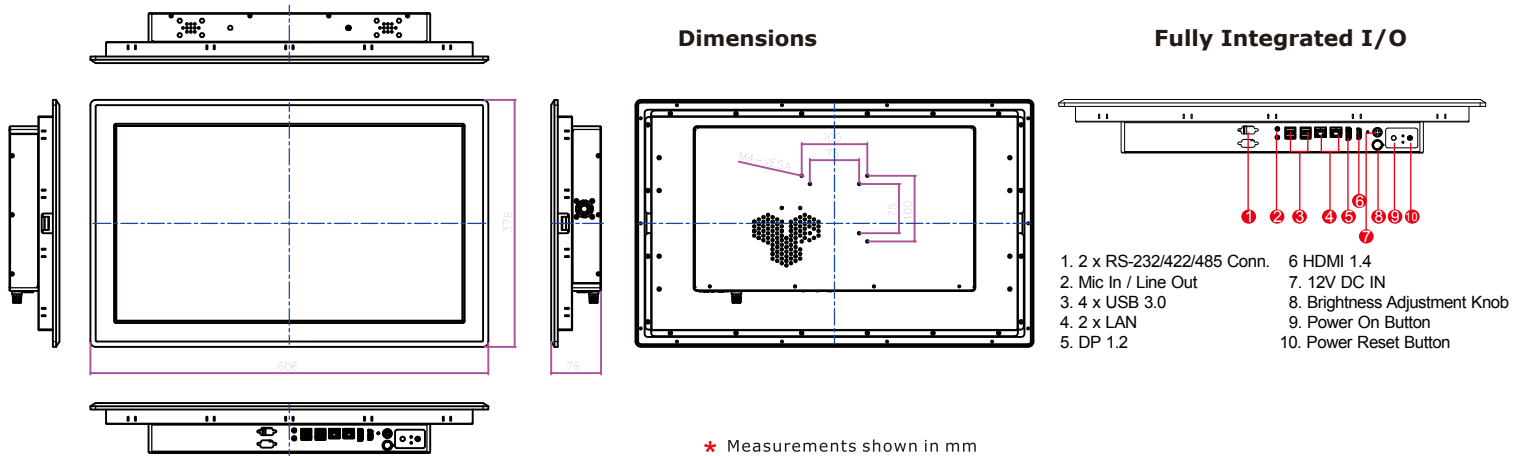


Panel Mount (5 mm front bezel)

Mechanical design

Features:

- 23.8" 1920 x 1080 Resolution
- Intel 7th Generation Core i3/i5/i7 processor (Kabylake)
- Flexible storage devices, one 2.5-inch HDD and one SSD
- Multiple I/Os, Two Serial Ports and Four USB 3.0 Ports
- 12V DC Power input
- DP Support 4096 x 2304@60Hz
- HDMI Support 4096 x 2304@24Hz



Dimensions

Fully Integrated I/O

1. 2 x RS-232/422/485 Conn.
2. Mic In / Line Out
3. 4 x USB 3.0
4. 2 x LAN
5. DP 1.2
6. HDMI 1.4
7. 12V DC IN
8. Brightness Adjustment Knob
9. Power On Button
10. Power Reset Button

- * Measurements shown in mm
- * Tolerance of all dimensions is shown as follow 0~30 mm ± 0.1mm, 30~50 mm ± 0.15 mm, 50~120 mm ± 0.2 mm, above 120 mm ± 0.25 mm
- * Note: this is a simplified drawing and some components are not marked in detail. Please contact our sales representative if you need further product information.

Specifications

System

- Processor : Intel® Core™ i7-7700T Processor, 2.9 GHz
Intel® Core™ i5-7500T Processor, 2.7 GHz
Intel® Core™ i3-7100T Processor, 3.4 GHz
- System Chipset : Intel® 8 series Chipset(C236)
- System Memory : 2 x SODIMM, Max 32GB DDR4 2400 MHz, default 4GB
- Storage : 1 x M.2 SSD, Max 256GB
1 x 2.5" 500GB HDD (default)
- LAN : Intel® Ethernet Controller I211-AT + Intel® Gigabit Ethernet PHY I219-LM
- Audio Codec : Realtek ALC283 HD Audio Codec

Input / Output

- Serial Port : 2 x RS232/422/485(default RS232)
- Ethernet : 2 x RJ45-10/100/1000 Mbps
- USB Port : 4 x USB 3.0
- DP Port : 1 x DP 1.2
- HDMI Port : 1 x HDMI 1.4
- Audio : Mic in, Line out

Power Specifications

- Power Input : 12V DC IN (Lockable Power Jack)
- Power Consumption : 103W (typ.)(Max.backlight & high CPU load)

Accessories

- External Adapter : 110~240V Ac-in Power Adapter

Panel Spec

- Size/Type : 23.8" TFT
- Resolution : 1920x1080
- Brightness : 250 cd/m² (typ.)
- Contrast Ratio : 3000:1 (typ.)
- Viewing Angles : -89~89 (H) ; -89~89 (V)
- Max Colors : 16.7M (8bits/colors)

Environment Considerations

- Operating Temperature : 0°C to 50°C
- Operating Humidity : 10% to 90% (non condensing)

Security Support

- Trusted Platform Module (TPM 2.0)

Order Options

Mechanical : Panel Mount	Storage : 2.5" HDD/ M.2 SSD
Touch : 5-Wires Resistive(Default) AR Glass(Optional)	RAM : SODIMM DDR4
Panel : 1000cd/m ² (Optional)	OS : Windows 10 IoT Enterprise
	Power : 9~36V DC in(Optional)

Expansion Slot

- 2 x M.2 (1 for WiFi, 1 for SSD), 1 x PCIex16

*Customized housing required if you need to have the PCIe expansion