

ASLAN-W912C

Fanless 11.6" Wide-Screen Industrial Panel PC with Intel® Core i5-6300U
2.4GHz Processor



Features

- 11.6" LCD Display w/ LED Backlight
- Flat panel with projected capacitive touchscreen
- Front panel compliant with IP65
- Anti-scratch surface: 7H hardness
- Mini PCIe expansion slot support
- Fanless cooling system
- Cable-less Design
- Low power consumption
- 2 x SMA Antenna Holes for optional WiFi Function

System

CPU	Intel® Core i5-6300U™ Processor 2.4GHz
Memory	1 x 4GB DDR4 SO-DIMM RAM module installed
LAN Chipset	1 x Intel® i219LM PCIe controller w/ iAMT 1 x Intel® i210IT PCIe controller
Watchdog Timer	1~255 levels reset

Storage

Device	1 x mSATA
--------	-----------

Audio

Device	Line Out / Mic In (Optional)
--------	------------------------------

LCD Display

Size/Type	11.6" TFT LCD Panel
Max. Resolution	1920 x 1080
Max. Colors	16.7M
Luminance	300 cd/m ²
Touch Screen	Projected capacitive touch panel
View Angle (U/D/R/L)	80°/80°/85°/85°

Power System

Power Input	DC 12~28V
-------------	-----------

Certification

EMC / EMI	CE, FCC Class A
-----------	-----------------

Expansion

Expansion Bus	1 x mSATA (SATA, Full Size)
	1 x mPCIe (PCIex1+USB2.0, Full Size)
	1 x mPCIe (PCIex1+USB2.0, Half Size)

External I/O

Video Output	1 x VGA /1 x HDMI
USB Ports	4 x Type-A USB 3.0/2.0 ports
LAN	2 x RJ-45 GbE ports
COM	2 x COM (RS-232/422/485)

Mechanical

Mounting Type	VESA-75 / Panel Mount (Bracket Optional)
Chassis	Panel-mounting chassis, aluminum front bezel and SGCC steel chassis
Dimension (W x H x D)	306.2 x 206 x 46.8 mm (12.06" x 8.11" x 1.84")
Weight (Net)	TBD

Environmental

Operating Temp.	-20°C ~ 55°C (-4°F ~ 140°F)
Storage Temp.	-30°C ~ 70°C (-22°F ~ 158°F)
Operating Humidity	10 ~ 95% RH @ 55°C (non-condensing)
Vibration	5 ~ 500Hz, 0.5Grms Random (w/ mSATA)
Shock	Operating 10G, 11ms Non-operating 30G, 11ms (w/ mSATA)

OS Support

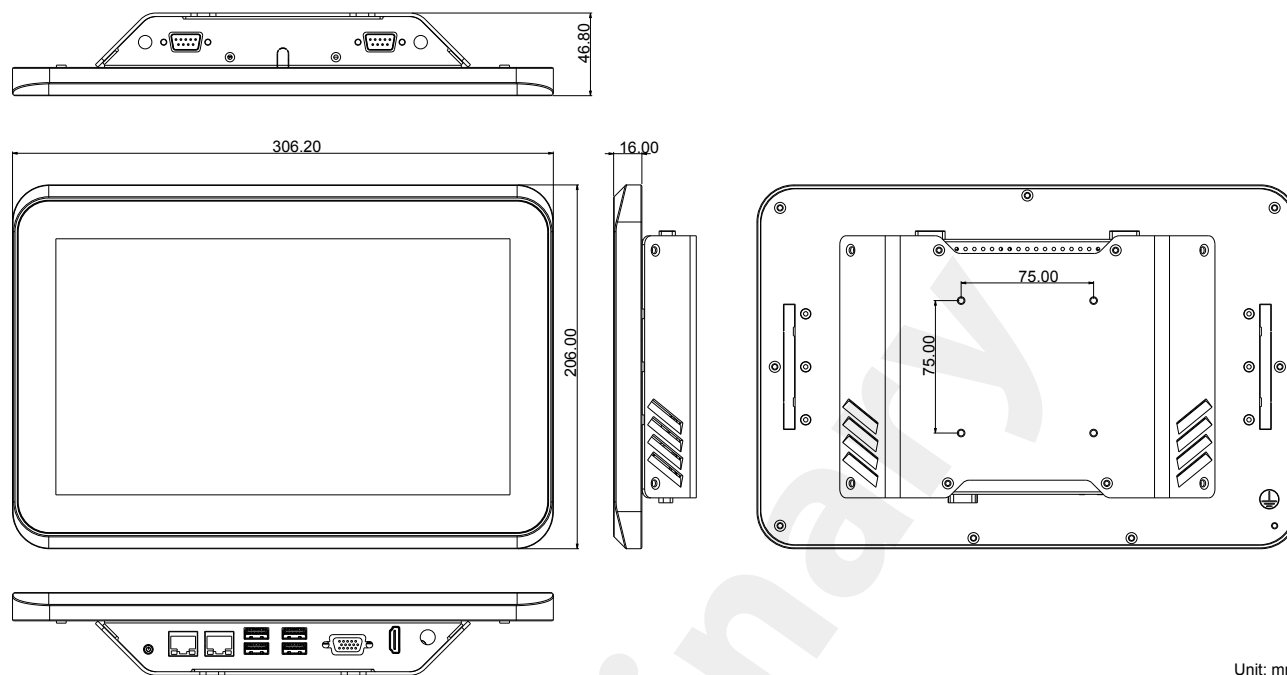
Windows 7 / Windows 8.1 / Windows 10 / Linux: Ubuntu

Ordering Information

ASLAN -W912C-6300G4	11.6" Intel® Core i5-6300U 2.4GHz Processor Wide-screen industrial panel PC with 4GB Memory
---------------------	--



Dimensions



Optional Accessories

PAC-P060W-04

60W AC/DC Adapter Kit



Optional Accessories (CTOS* Kit)

WiFi-AT2300

Atheros AR9462 WiFi module w/ 20cm internal wiring



ANT-D11

1 x Wi-Fi Dual-band 2.4G/5G antenna



32GB SSD

mSATA MLC 32GB



64GB SSD

mSATA MLC 64GB



*CTOS means Configure-to-Order Service.