

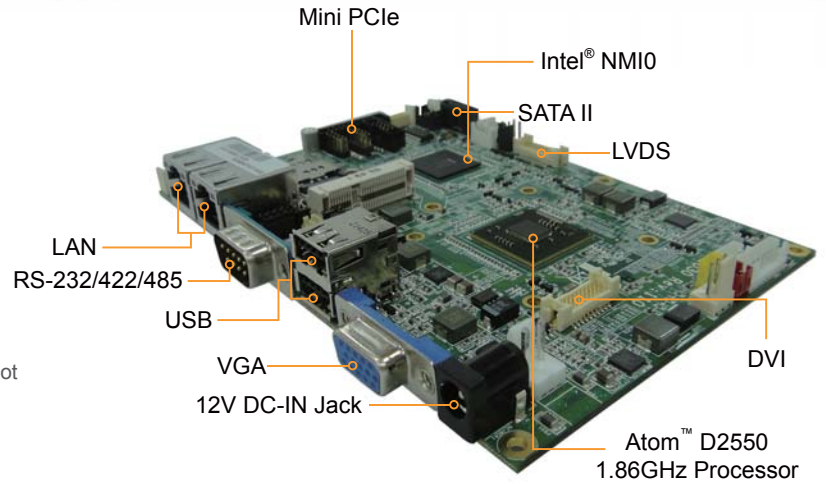
ID32 3.5" SBC

W/DC 12V Input

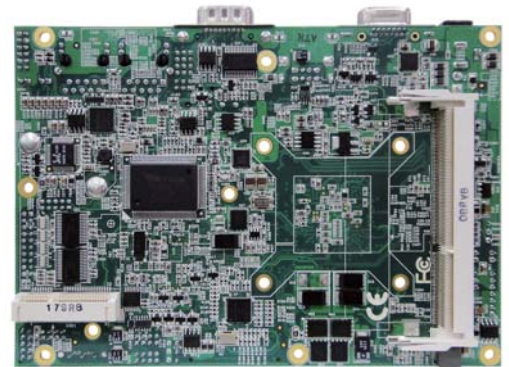
Intel® ATOM Dual Core D2550 1.86GHz, 3.5" Motherboard

Features

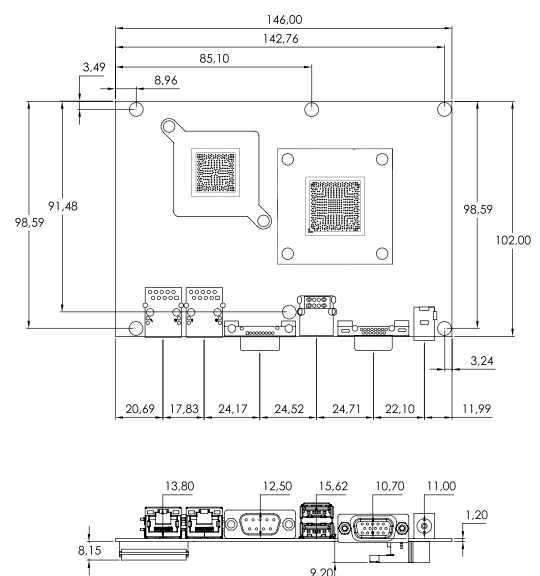
- 3.5" Form Factor (146 mm x 101 mm)
- Intel® Atom Dual Core D2550 1.86GHz
- Intel® NM10 Chipset
- Integrated VGA, 24 bit single-channel LVDS, DVI
- 1 x DDR3 SO-DIMM 800/1066 MHz, max. 4GB
- Integrated Dual Broadcom BCM57780 Ethernet
- 1 x SATA, 4 x COM, 6 x USB 2.0, 8 x GPIO, 1 x Mini PCIe slot



Bottom View



Board Dimension



Specification		
System Specification	Processor	Intel® Atom™ Dual Core D2550 1.86GHz Processor
	System Memory	DDR3 800/1066 MHz SO-DIMM Slot, Max. 4GB
	Chipset	NM10
	BIOS Flash	AMI 16Mbit Flash
	Super IO Chipset	Fintek F81865
Display Specification	LCD Interface	Single-channel 24 bit LVDS Up to 1440 x 900 @ 60Hz
	Graphic Resolution	VGA Mode : Up to 1920 x 1200 @ 60Hz DVI : 1920 x 1200 @ 60Hz
	Multiple Display	Dual display
Audio	Codec	Realtek ALC886 HD Audio Codec
	Audio Interface	Line-in, Line-out, Mic in
Ethernet	LAN	Dual Broadcom BCM57780 GbE controller
	Ethernet Interface	1000 Base-Tx Gigabit Ethernet Compatible
I/O Connectors	Rear I/O	2 x RJ-45 1 x RS232/422/485 2 x USB 2.0 1 x VGA 1 x DC-in Power Jack (+12V)
	Internal I/O	3 x RS-232 by pin-header 4 x USB 2.0 by pin-header 1 x SATA II 1 x Digital I/O (8 ports GPIO) 1 x Power-input 2-pin connector 1 x DVI (support DL240D converter board)
	Expansion Slot	1 x Mini PCIe slot (for wireless module) 1 x Mini PCIe slot (for SATA SSD)
Mechanical and Environment	Dimensions (L x W)	146 mm x 101 mm (3.5" Form Factor)
	Operating Temperature	0 deg.C to 50 deg.C
	Storage Temperature	-20 deg.C to 60 deg.C(-4 deg.F to 140 deg.F)
	Humidity	10~95% RH@400C, non-condensing
Power Management	Power Requirement	12V DC-IN Power Jack
	Power Consumption	11.5W (D2550+NM10)
Operation System	OS Support	Windows 7 embedded, WindowsXP embedded
Packing List		ID32 Single Board Computer ID32 SBC User Manual ID32 Manual & Driver CD

Rev.	Reasons	Revised Date
1.0	First release	Jul.02.12