

W07IB3S-IPT1

7" Front IP65 Panel PC



KEY FEATURES

- 7" TFT SVGA LCD
- Intel® Celeron® N2930 Quad Core™ 1.83 GHz Processor
- SO-DIMM DDR3L 1600, max. 8 GB
- Integrated VGA, Dual-channel 24-bit LVDS, HDMI
- Intel® I210-AT GbE
- 1 x SATA, 1 x USB 2.0, 1 x USB 3.0, 1 x HDMI, 2 x COM, 1 x Mini PCIe slot



SPECIFICATIONS

Display	
Resolution	1024x600
Contrast Ratio	500:1
View Angles	75,75,75,70
Size	7.0 inches
Panel Brightness	320 nits
Touch / Glass	Resistive Touch Screen Protection Glass Without Touch Function (Optional)
System Specification	
Processor	Intel® Celeron® N2930 (2M Cache, up to 2.16 GHz)
Storage	1 x mSATA SSD 64GB. mSATA SSD up to 512GB. (Optional)
Security	TPM 2.0
Memory	1 x SO-DIMM, DDR3L 1600 MHz, 4GB 8GB (Optional)
WLAN	802.11 a/b/g/n/ac (Optional)
Ethernet controller	2 x Intel® Ethernet Controller I210-AT
Operating System	Windows 7 Embedded Systems (Optional) Windows 10 IoT Enterprise (Optional) Linux Ubuntu 18.04 (Optional)
Mechanical	
Dimension	218 x 164 x 56.8 mm
Mounting	Panel mount VESA Mount
Enclosure	Metal Housing
Cooling System	Fanless design
Cut out	192x65.5mm
Environment	
Operating Humidity	10% to 90% (non-condensing)
Operating Temperature	0~50°C
Storage Temperature	-20~60°C
IP rating	Front IP65
Certification	
Certification	CE, FCC
IO Ports	
USB Port	1 x USB3.0 (Type-A) 1 x USB2.0 (Type-A)
Serial Port	1 x RS232/422/485 (Default RS232) 1 x RS232
Video	1 x HDMI 1.4 (Optional)
Audio	2 x Speaker
Expansion Port	1 x mPCIe slot(for half size Wifi module)
LAN	2 x Giga LAN RJ45 Connector
Indicator	1 x LED Indicator for power 1 x LED Indicator for storage
Brightness Knob	1 x Brightness Adjustment Knob

mini PCIe 1 x Mini PCIe(For WLAN)

Control

Button 1 x Power Button
1 x Reset Button

Accessory

Accessory 100~240V AC to DC Adapter
Power Cord
Driver CD & Manual
VESA screws
Mounting clips

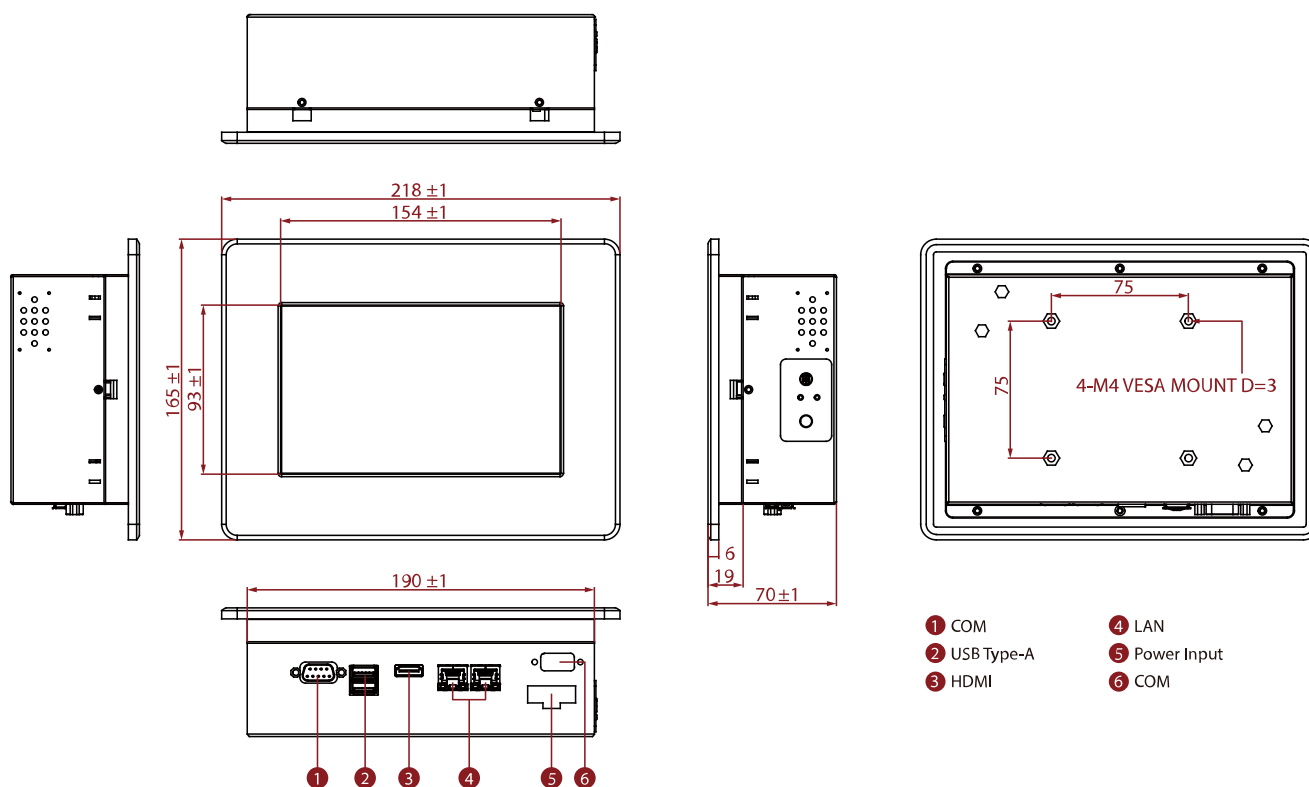
Power

Power Rating 12V DC

Adapter

12V 50W

DIMENSIONS UNIT:MM



NOTE

1. This is a simplified drawing and some components are not marked in detail.
2. Please contact our sales representative if you need further product information.
3. All specifications are subject to change without prior notice.
4. The product shown in this datasheet is a standard model. For diagrams that contain customized or optional I/O, please contact the Winmate Sales Team for more information.