

# R15IB7T-PPC3

## 15" PP Series HMI Panel PC



### KEY FEATURES

- 15", 1024 x 768, 250 nits
- Aluminum housing and fanless design
- Fanless cooling system and ultra-low power consumption
- Front IP65 water and dust proof
- Intel® Celeron® Bay Trail-M N2930, 1.83 GHz
- Projected capacitive multi-touch screen
- Room booking schedule, access control, room information display

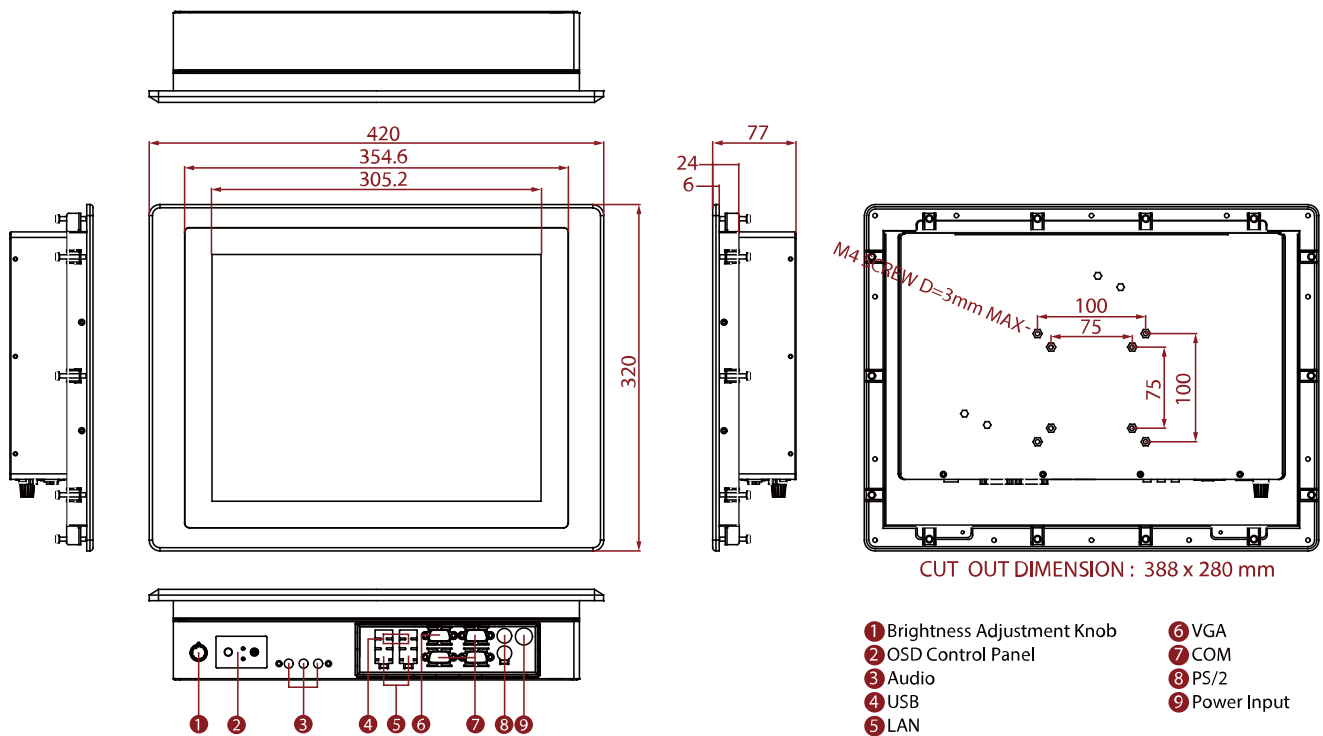


### SPECIFICATIONS

Display			
Resolution	1024x768	Size	15.0 inches
Contrast Ratio	2000:1	Panel Brightness	300 nits
View Angles	88,88,88,88	Type	Projected Capacitive Multi Touch Screen
System Specification			
Processor	Intel® Celeron® N2930 (2M Cache, up to 2.16 GHz)	Memory	2 x SO-DIMM, DDR3L 1600 MHz, 4GB 8GB(Optional)
Storage	Default 1 x mSATA SSD 64GB 1 x SATA II for optional 2.5" HDD	Expansion	4G/LTE(Optional )
Ethernet controller	2 x Intel® Ethernet Controller I210-AT	Security	TPM 1.2
Operating System	Windows 7 Embedded Systems(Optional) Windows 10 IoT Enterprise(Optional) Linux Ubuntu 18.04(Optional)	WLAN	802.11 a/b/g/n/ac(Optional)
BT	BT Support(Optional)		
Mechanical			
Dimension	420 x 320 x 77 mm	Mounting	Panel mount VESA Mount
Enclosure	Metal Housing	Cooling System	Fanless design
Cut out	388x280mm		
Environment			
Operating Humidity	10% to 90% (non-condensing)	Operating Temperature	0~50°C
Storage Temperature	-20~60°C	IP rating	Front IP65
Certification			
Certification	CE, FCC		
IO Ports			
USB Port	1 x USB3.0 (Type-A) 3 x USB2.0 (Type-A)	Serial Port	1 x RS232/422/485 (Default RS232) 2 x RS232 1 x RS232(Optional)
Video	1 x VGA	Audio	Mic in Line in Line out
Expansion Port	2 x mPCIe slot	LAN	2 x Giga LAN RJ45 Connector

<b>Indicator</b>	1 x LED Indicator for power 1 x LED Indicator for storage	<b>Brightness Knob</b>	1 x Brightness Adjustment Knob
<b>PS/2</b>	2 x PS/2	<b>mini PCIe</b>	3 x Mini PCIE
<b>Control</b>			
<b>Button</b>	1 x Power Button 1 x Reset Button		
<b>Accessory</b>			
<b>Accessory</b>	100~240V AC to DC Adapter Power Cord Driver CD & Manual VESA screws Mounting clips		
<b>Power</b>			
<b>Power Rating</b>	12V DC	<b>Adapter</b>	12V 50W

**DIMENSIONS** UNIT:MM



**NOTE**

1. This is a simplified drawing and some components are not marked in detail.
2. The product shown in this datasheet is a standard model. For diagrams that contain customized or optional I/O, please contact the Winmate Sales Team for more information.
3. All specifications are subject to change without prior notice.