

W15IK3S-PPA4

15.6" PP Series HMI Panel PC



KEY FEATURES

- 15.6" LED LCD with Projected Capacitive multi-touch screen
- Aluminum housing and fanless design
- Fanless cooling system and ultra-low power
- Front IP65 Water and Dust Proof
- Intel® 5th Generation Core™ i5-7200U, 2.5 GHz
- Room booking schedule, Access Control, Room Information Display



SPECIFICATIONS

Display			
Resolution	1920x1080	Size	15.6 inches
Contrast Ratio	800:1	Panel Brightness	300 nits
View Angles	85,85,85,85	Type	Projected Capacitive Multi Touch Screen
System Specification			
Processor	Intel® Core™ i5-7200U (3M Cache, up to 3.10 GHz) Intel® Core™ i5-7300U (3M Cache, up to 3.50 GHz)	Memory	1 x SO-DIMM, DDR4 2133 MHz, 4GB 8GB(Optional) 16GB(Optional)
Storage	1 x M.2 2242 SSD 64GB M.2 2242 SSD up to 512GB(Optional)	Expansion	1 x M.2 2242 B-key Slot (for SSD) 1 x M.2 2232 E-Key Slot (for half size Wifi module)
Ethernet controller	Intel® Ethernet Controller I211-AT + Intel® Ethernet Connection I219-LM	Security	TPM 2.0
Operating System	Windows 10 IoT Enterprise(Optional) Linux Ubuntu 18.04 (Optional)	WLAN	802.11 a/b/g/n/ac(Optional)
BT	BT Support(Optional)		
Mechanical			
Dimension	415 x 275 x 71 mm	Mounting	Panel mount VESA Mount
Enclosure	Metal Housing	Cooling System	Fanless design
Cut out	370x245mm		
Environment			
Operating Humidity	10% to 90% (non-condensing)	Operating Temperature	0~50°C
Storage Temperature	-20~60°C	IP rating	Front IP65
Certification			
Certification	CE, FCC		
IO Ports			
USB Port	2 x USB3.0 (Type-A)	Serial Port	1 x RS232/422/485 (Default RS232) 1 x RS232
Video	1 x HDMI 1.4(Optional)	Audio	2 x Speaker
Expansion Port	2 x M.2 slot(1 for WiFi, 1 for SSD)	LAN	2 x Giga LAN RJ45 Connector

Indicator 1 x LED Indicator for power
1 x LED Indicator for storage

Brightness Knob 1 x Brightness Adjustment Knob

Accessory

Accessory 100~240V AC to DC Adapter
Power Cord
Driver CD & Manual
VESA screws
Mounting clips

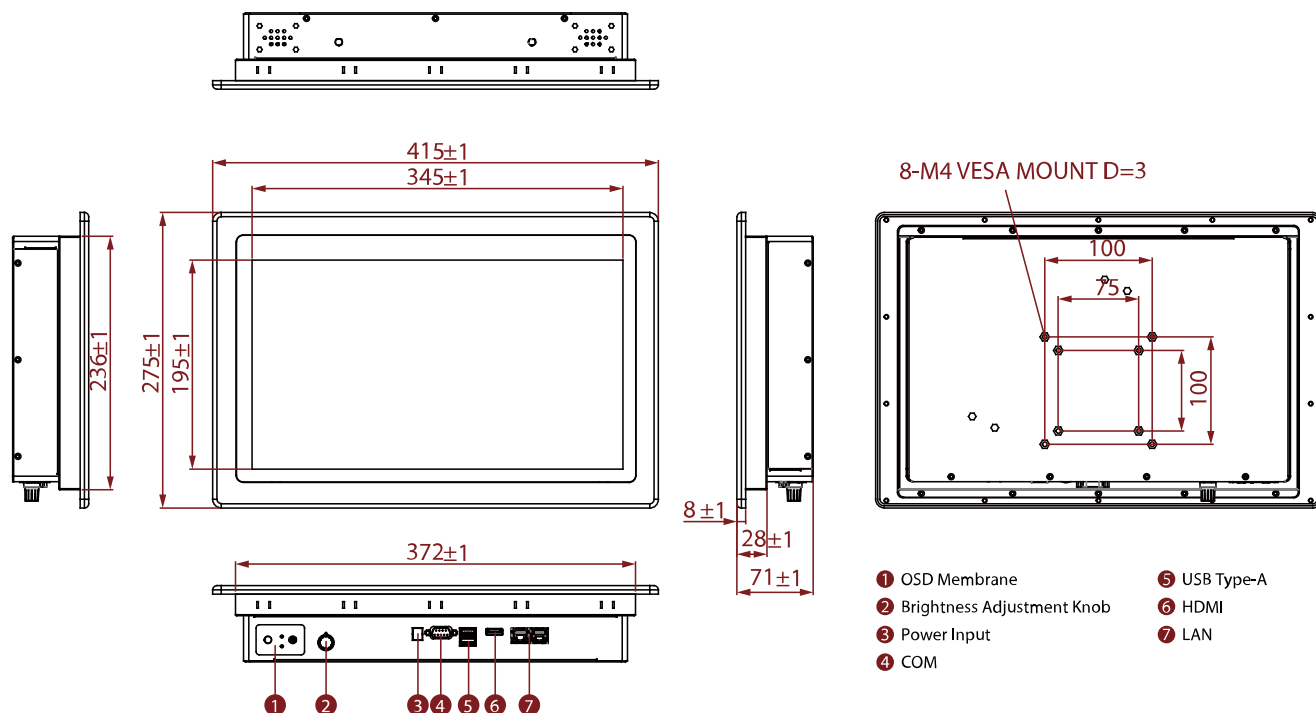
Power

Power Rating 12V DC

Adapter

12V 84W

DIMENSIONS UNIT:MM



NOTE

1. Measurements shown in mm.
2. Tolerance of all dimensions is shown as follow 0~30 mm ± 0.1 mm, 30~50 mm ± 0.15 mm, 50~120 mm ± 0.2 mm, above 120 mm ± 0.25 mm.
3. This is a simplified drawing and some components are not marked in detail. Please contact our sales representative if you need further product information.