

R15FA3S-IPC3

15" Front IP65 Panel PC



KEY FEATURES

- 1024 x 768 TFT LCD with resistive touch screen
- NXP A9 i.MX6 Dual Core 1 GHz (Optional Quad Core)
- Front IP65 protection
- Onboard LPDDR3 1 GB (Optional 2 GB)
- Onboard 16 GB eMMC Flash
- 1 x USB 2.0, 1 x RS-232/422/485, 1 x Micro SD Slot, 1 x Mini USB, 1 x Micro HDMI (Optional)
- PoE function (Optional)
- Fanless and ultra-low power consumption



SPECIFICATIONS

System Specification			
Processor	NXP i.MX6 Dual Core, 1.0GHz	Memory	1GB 2GB (Optional)
Storage	Onboard 16GB eMMC Onboard 32GB eMMC (Optional)	Operating System	Linux Ubuntu 18.04 (Optional) Android 6.0 (Optional) Debian 7.0 (Optional) Linux 4.1.15 QT 5.5 (Optional)
WLAN	802.11 a/b/g/n/ac (Optional)	BT	BT Support (Optional)
Display			
Resolution	1024x768	Size	15.0 inches
Contrast Ratio	2000:1	Panel Brightness	300 nits
View Angles	88,88,88,88	Touch / Glass	Resistive Touch Screen Protection Glass Without Touch Function (Optional)
Mechanical			
Dimension	400 x 320 x 59 mm	Mounting	Panel mount VESA Mount
Enclosure	Metal Housing	Cooling System	Fanless design
Cut out	359x274mm		
Environment			
Operating Humidity	10% to 90% (non-condensing)	Operating Temperature	0~50°C
Storage Temperature	-20~60°C	IP rating	Front IP65
Certification			
Certification	CE, FCC		
IO Ports			
USB Port	1 x Console Port (Mini USB) 1 x USB OTG 1 x USB2.0 (Type-A)	Serial Port	1 x RS232/422/485 (Default RS232)
SD Card Slot	1 x Micro SD card slot	Video	1 x Micro HDMI (Optional)
Audio	2 x Speaker	Expansion Port	1 x mPCIe slot(for half size Wifi module)
LAN	1 x LAN RJ45 Connector with PoE(PD, 802.11at)	mini PCIe	1 x Mini PCIe

CANBUS 1 x CANBUS, D-sub9

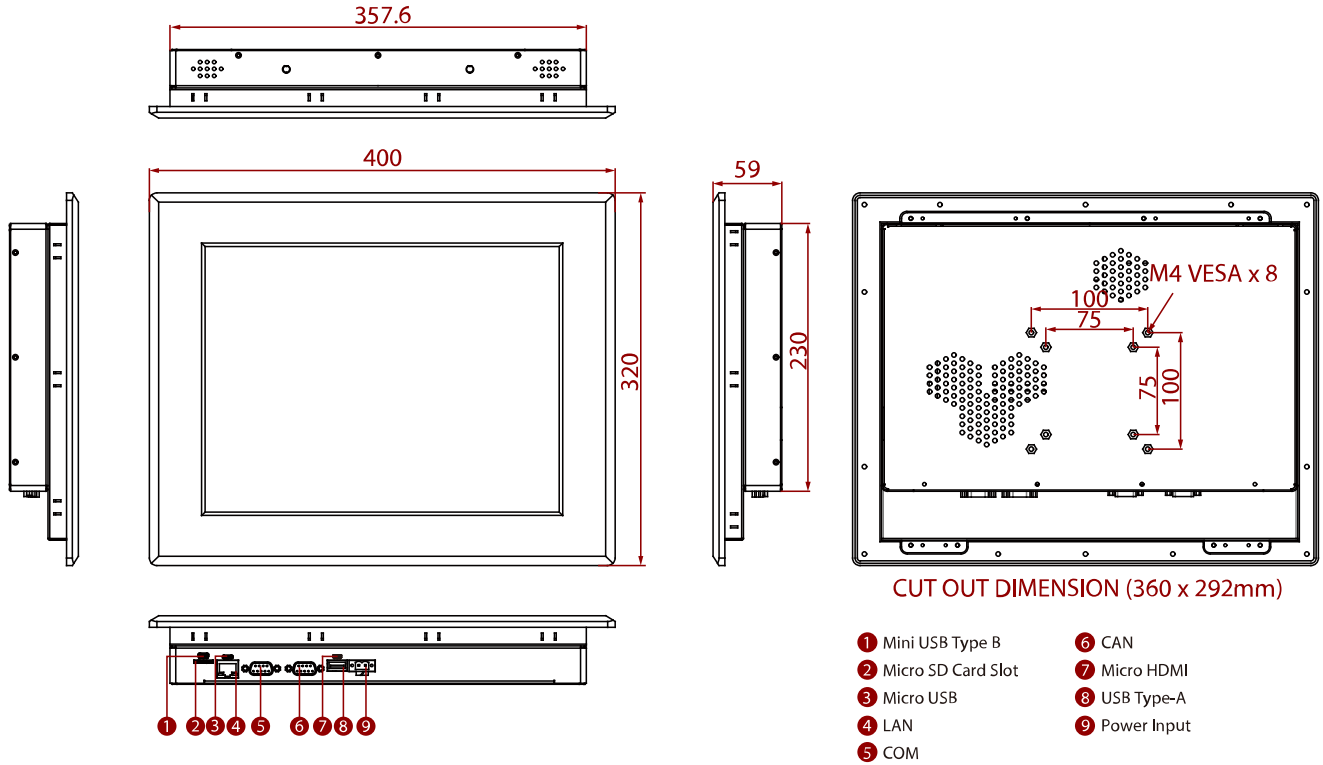
Accessory

Accessory 100~240V AC to DC Adapter
Power Cord
Driver CD & Manual
VESA screws
Mounting clips

Power

Power Rating	12V DC	Adapter	12V 50W
POE	PoE (PD): follows IEEE 802.3at (25 W)		

DIMENSIONS UNIT:MM



NOTE

1. This is a simplified drawing and some components are not marked in detail.
2. Please contact our sales representative if you need further product information.
3. All specifications are subject to change without prior notice.
4. The product shown in this datasheet is a standard model. For diagrams that contain customized or optional I/O, please contact the Winmate Sales Team for more information.